

A FAMILY COMPANY MANUFACTURING IN THE USA SINCE 1969

Prices effective June 1, 2022

# Glastender®

## Product Directory & Price List

2022



Expect more  
*more flexibility*  
more features

Madame Chose - Québec, Canada

GLASSWASHERS • FOODSERVICE FABRICATION AND REFRIGERATION • BEER SYSTEMS

# Terms and Conditions

## Prices:

All prices are LIST. Applicable taxes will be added.

## Quotations:

Unless otherwise stated, quotations are effective for 30 days only.

## Acceptance:

All orders are subject to acceptance by Glastender, Inc.'s headquarters in Saginaw, Michigan. Possession of the Product Directory and Price List is not an offer to sell.

## Shipments:

F.O.B. factory in Saginaw, Michigan. Freight terms are Third Party or Collect if shipped directly to you. Prepay and Add to Invoice freight terms are available upon request. The approximate shipping weights of all products are listed with the prices. Partial shipments will be made unless otherwise specified by the customer. Surface freight classifications are:

- GT-24/GT-30/GW24 Glasswashers - Class 175
- GT-18 Glasswashers - Class 250
- All Underbar Equipment - Class 175
- Bar Die Orders – Class 250
- Portable Bars - Class 175
- Remote refrigerators (i.e., no compressor) or dry storage back bar equipment - Class 175
- Self-contained refrigeration equipment - Class 150
- Ice Display Units (IDU and GDU) - Class 85
- Lighted Liquor Displays - Class 85
- Beer line chillers and beer towers (beverage dispensing equipment) - Class 92.5
- Bottle Disintegration System - Class 150
- Ice Cream Freezers - Class 77.5

All small items are evaluated to see the most cost effective means for shipment. Many small items ship via UPS or FedEx; however, when dimensional weight is excessive, LTL carriers are the most cost effective choice. Spare parts orders received before 1:00 PM EST can usually be shipped the same day.

The order department is happy to assist with routing or shipping questions.

## Payment Terms:

Cash should be included with all orders unless credit terms have been arranged. To establish credit, banking and trade references are required. A convenient credit application is available upon request. Payment via credit card is not our normal means of receiving payment. Visa and MasterCard will be accepted, but must be charged at the time of shipment. In addition, a payment via credit card for orders totaling more than \$500 will incur a 3% convenience fee on the total transaction amount.

## Delivery:

The majority of equipment is manufactured to order and typically ships within three to six weeks after complete order information is received by the factory. In-stock equipment typically ships within two to three days of the factory receiving complete order information.

## Returns:

Items specified as "Manufactured to Order" are NOT returnable. A Return Authorization number must be issued by the factory in advance for any items that are returnable. The number MUST be noted on the outside of the returned package. Returns must be received within 90 days of the issue date. Shipping charges must be prepaid. A minimum 20% restocking charge will be applied to all authorized returns if received in new, unused condition in the original packaging.

The above conditions apply to spare part returns, except spare part returns must be received within 30 days of original shipment for electronic or electrical parts or within 90 days for all other parts.

## Loss or Damage:

For customer routed shipments, Glastender, Inc. is not responsible for any loss, damage, or delay of merchandise during shipment. Such transit claims must be filed with the carrier. Merchandise must be examined on arrival. If shortages occur, Glastender,

Inc. must be notified in writing within five (5) days of delivery to honor any shortage claim. Glastender will assume responsibility for freight claims on Prepay and Add shipments but the customer must inspect freight and note any damage upon receipt. Failure to do so may result in losses at the customer's expense.

## Custom Orders:

Custom orders must be paid in advance and are not subject to cancellation.

## Laminates:

Some products include common, readily available plastic laminates of the customer's selection. There may be an additional charge if uncommon varieties are ordered.

## Glastender Freight Program

### Program Conditions

Glastender, Inc. equipment pricing includes standard freight costs under the following conditions:

- Equipment order is for a minimum of \$2,500, shipped to a single destination at the same time.
- Freight carrier is selected by Glastender, Inc. and may vary based on destination, transit times, performance history, customer service, or other factors.
- Shipping destination is within the continental United States and Canada. Non-continental or other international destinations are shipped to port of export.
- Combining equipment orders is allowed to reach the minimum order level if combined orders are shipped to the same destination at the same time.
- Equipment order terms of sale are FOB Saginaw MI / Freight Prepaid.
- Equipment returns are not covered.
- Parts orders do not qualify and will be charged shipping accordingly.

### Customer Responsibilities

In addition to the program conditions listed above, the receiving customer must:

- Note all damage on the delivery receipt at the time of delivery.
- Open and inspect any items that look suspicious or raise concern, even if the carrier tells you it is not allowed.
- Refuse only the damaged items and keep the other items on the order.
- When in doubt, sign the delivery receipt as damaged.

The only way to hold the carrier liable is to sign the delivery as damaged.

### Additional Fees

Additional carrier-related services and fees over and above standard freight costs are not covered. Such services and fees will be invoiced at the time of order or after the order has shipped.

Examples of additional fees include the following:

Split shipment .....	Cost difference between single shipment and split shipment
Lift gate .....	\$55 (Only available for items under 96" in total packaged length)
Inside delivery .....	\$100 per pallet/piece
Residential delivery .....	\$100
Limited access site .....	\$100
Expedited delivery .....	Difference from standard rate
Special delivery time .....	Carrier rate
Storage .....	Carrier rate
Re-delivery .....	Carrier rate
Re-consignment .....	Carrier rate
Other additional services not listed .....	Carrier rate

### Questions

For questions regarding the Glastender Freight Program, please contact Shipping & Receiving:

Steve Gunn, Shipping & Receiving Supervisor  
989.752.4275, ext 141 • [sgunn@glastender.com](mailto:sgunn@glastender.com)

07/18/2023



# Table of Contents



**Bottle Disintegration System** ..... 1 - 2

**Glasswashers** ..... 3 - 8

- GW24 Rotary Glasswasher • GWS66 Glass Washing Station
- GT-18 Series Rotary Rack Glasswashers • GT-24 and GT-30 Rotary Glasswashers

**Cocktail Stations** ..... 9 - 16

- Assembly, Disassembly, and Complete Cocktail Stations



**Kitchen Fabrication Products**  
pages 141 - 151



**Bar Fabrication - Main Line and Choice** ..... 17 - 74

- Portable Bars • Ice Bins • Soda Gun Holders • Soda Manifold Housing • Bottle Wells and Racks
- Speed Rails • Blender Stations • Drainboards • Cabinets • Sinks • Drink Rails • Rinser Faucets
- Liquor Steps • Mixology Units, Stations, Wells and Drink Rails • Dry Waste Chutes and Rails
- Ice Cream Freezers • All-In-One Stations • Tubing Chases • Beer Drainers • Modular Bar Die

**Bar Refrigeration** ..... 75 - 126

- Bar Profile Coolers • Direct Draw Draft Beverage Towers • Low Profile Coolers • High Profile Coolers
- Reach-In Frosters • Slide Top Coolers • Slide Top Mug Frosters • Ice Display Units
- Lighted Liquor Displays • Dry Storage Cabinets • Back Bar Glass Storage • Back Bar Liquor Displays

**Beverage Dispensing** ..... 127 - 144

- Beer Line Chillers • Draft Beverage Towers

**Kitchen Fabrication and Refrigeration** ..... 145 - 155

- Kitchen Cabinets • Wall-Mount Sorting Rack • Kitchen Shelves • Kitchen Sinks • Kitchen Stands
- Kitchen Tables • Hand Sinks • Drop-In Units • Lettuce Crispers
- Countertop Merchandisers • Wall-Mount Refrigerators • Drop-In Ice Cream Freezers
- Mobile Ice Cream Freezers • Mobile Ice Baths • Specialty Ice Bins • Mobile Ice Bins • Wall Cabinets

**Terms and Conditions** ..... Inside front cover

**Warranty** ..... Inside back cover

**Index** ..... 156 - 157

**Spec Sheets** ..... [specs.glastender.com](http://specs.glastender.com)

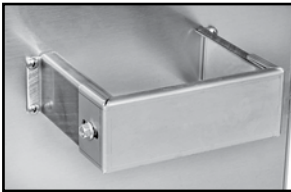
# Increase your cash flow by decreasing your trash flow

Glastender's Bottle Disintegration System reduces the volume of glass bottle waste by as much as 85%, lowering your disposal fees and paying for itself over time. The BDS unit is easy to use and crushes a bottle in mere seconds, while being no louder than a standard blender.

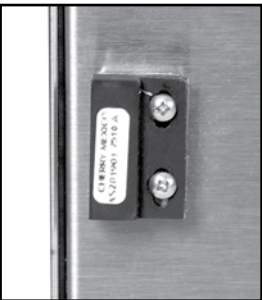
**Bottle Disintegration**



Multi-level baffle system on feed chute for safe operation and glass containment



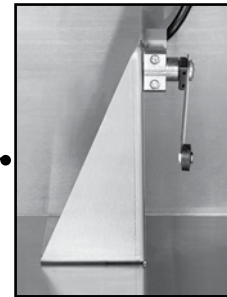
Bucket stop bar ensures bucket is fully seated when door is closed



Closed door safety sensor prevents operation when front door is open



**Includes safety interlock switches**



Bucket seating safety sensor prevents operation when the bucket is not in place

UP TO  
**85%**  
VOLUME  
REDUCTION



From this to this

The 4-gallon bucket weighs approximately 43 pounds and holds approximately 4 cases of disintegrated long neck beer bottles when full

## PRODUCT INFORMATION

(see BDS Spec Sheet for complete details)

### STANDARD FEATURES:

- Reduces volume of glass bottle waste by as much as 85%
- Disintegrates beer, wine, and liquor bottles up to 4" in diameter and 14" in height
- The 4-gallon bucket holds approximately 43 lbs. when full and is accessible for emptying by opening the front door (two buckets included)
- Compact design fits easily under the bar or in a service station
- It takes mere seconds to crush a bottle and is no louder than a standard blender
- Stainless steel interior and exterior resists corrosion and is easy to keep clean
- Includes safety interlock switches to ensure safe operation. The unit shuts down and a red indicator light is illuminated if the front access door is open or the bucket is not in place.
- Multi-level baffle system on feed chute and gasket seal to maximize glass containment
- Green indicator light identifies when unit is running
- Easy operation - simply turn it on and push a bottle down the feed chute
- Includes locking casters so unit can be easily moved for cleaning



BDS

Bottle Disintegration



### BDS

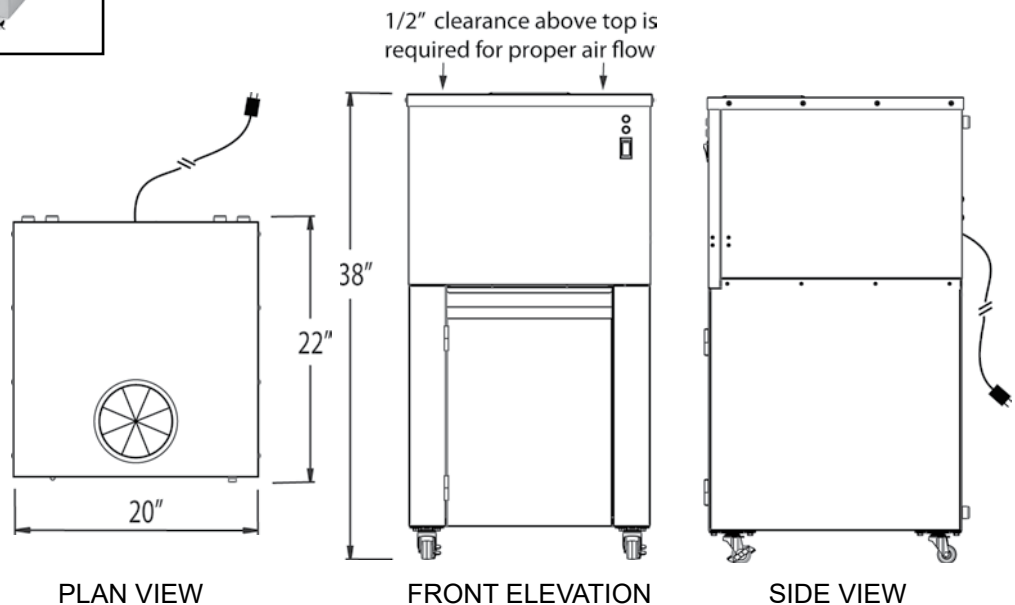
MODEL	LIST	WEIGHT	WIDTH	DEPTH	HEIGHT
BDS	\$7,645	185#	20"	22"	38"

### ACCESSORIES

MODEL	DESCRIPTION	LIST	WEIGHT
CE-BDS	Convert to 220V/50Hz or 220V/60Hz electrical	\$715	185#
14000053	Bucket (additional)	\$43	5#



14000053





GW24 shown with chemical bottles (not included)



GW24

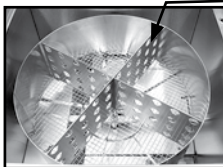
### PRODUCT INFORMATION

(see GW24 Spec Sheet for complete details)

### 24" ROTARY GLASSWASHER

MODEL	LIST	WEIGHT	LENGTH	DEPTH
GW24*	\$15,138	165#	24"	24"

Accessory  
01001601  
Rack Divider



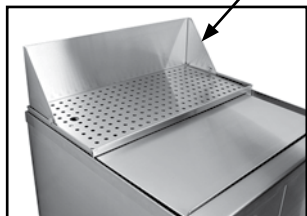
### GW24 ACCESSORIES

MODEL	DESCRIPTION	LIST	WGT
01001500*	Slide-out Chemical Bottle Rack	\$789	25#
01001564	Export transformer 220V/50Hz electrical NOTE: Eliminates side notch	\$1,589	30#
CWET-GW	Clip-on wet waste	\$463	10#
01001601	Rack divider, two-piece assembly	\$277	7#
01001602	Backsplash, clip-on	\$202	5#



Accessory 01001500  
Chemical Bottle Rack

Accessory  
01001602 Backsplash



Accessory 01001564  
Export transformer  
220V/50Hz electrical



Accessory  
CWET-GW

GWS66



**The GWS66 includes:**

- GW24 glasswasher with 01001500 Slide-out Chemical Bottle Rack
- SWB-18-DW wet waste sink cabinet with 03005491 trash receptacle
- DBGR-24-RS drainboard glassrack with roll-out shelves

(see GWS66 Spec Sheet for complete details)

GLASS WASHING STATION				
MODEL	LIST	WEIGHT	LENGTH	DEPTH
GWS66	\$22,817	380#	66"	24"

**There are ten different GT-18 models to choose from.**

The top of every GT-18 glasswasher is removable. The same base, which houses all the electrical and mechanical components, is used with all of the different top styles. The various tops are used in different situations to increase glasswasher throughput. A suffix is added to the GT-18 model number to specify a top different than the standard door type. The different models are pictured below:



GT-18  
Front load door type



GT-18+1  
Front-to-back  
pass thru



Cocktail server view  
with simulated bar  
top and bar die



GT-18+1L  
Front-to-side pass thru with left side  
drain table (GT-18+1R with right side  
drain table is also available)



GT-18+2  
Side-to-side  
pass thru



GT-18+2-IC  
Side-to-side corner  
pass thru

**PRODUCT INFORMATION**

(see GT-18, GT-18+1, GT-18+1L or R, GT-18+2, GT-18+2 Ext, GT-18+2-IC, and GT-18 Access Spec Sheets for complete details)

**STANDARD FEATURES:**

- Drive wheel and glass rack lift out for cleaning
- Two 16" diameter polypropylene racks included
- Spray box unlatches for easy cleaning and visual inspection - 15 spray nozzles have been engineered for maximum soil removal
- Digital temperature gauge built into switch panel
- Intelligent microprocessor control delays cycle start, up to two minutes, when incoming water is below 120°F (49°C)
- Automatic peristaltic metering pumps accurately dispense detergent, sanitizer and rinse aid
- Prime Switch for quick chemical priming
- 1/6 HP pump recirculates wash water and rinse water
- Fractional HP drive motor powers the belt driven rotary rack and includes built-in slip clutch

**ELECTRICAL:**

- 120V, single phase, 60Hz, 6-foot grounded cord and plug included

**CAPACITY:**

- 2 minute cycle, 70 second wash and 22 second rinse exposure
- 720 - 2-1/2" diameter or 600 - 2-3/4" diameter glasses per hour (maximum glass height 10" - including pitchers and wine carafes)



**EXTENDED GT-18+2 MODELS**

Extended GT-18+2 models have the drain table extended on one side of the glasswasher to hold more than one rack. This increases overall glasswasher throughput by allowing multiple racks of glassware to be pre-loaded for washing. The model number specifies the overall glasswasher length and the location of the extended drain table. For example, the GT-18+2-78L (pictured) is 78" long overall and has the left side drain table extended. Extended +2's are available in 78" and 90" overall lengths. The 78" models come with three racks and the 90" models come with four racks. A leg set is included under the extended drain table.



GT-18+2-78L with 01000708 glass rack holder

Glasswashers

**ROTARY RACK GLASSWASHERS**

MODEL	DESCRIPTION	LIST	WEIGHT	LENGTH	DRAIN TABLE
GT-18	Front load door type	\$13,045	145#	18"	N/A
GT-18+1	Front-to-back pass thru	\$14,057	155#	18"	Back
GT-18+1L	Front-to-side pass thru	\$14,633	175#	36"	Left
GT-18+1R	Front-to-side pass thru	\$14,633	175#	36"	Right
GT-18+2	Side-to-side pass thru	\$15,318	195#	60"	Left & Right

**CUSTOM ROTARY RACK GLASSWASHERS\***

MODEL	DESCRIPTION	LIST	WEIGHT	LENGTH	DRAIN TABLE
GT-18+2-1C	Side-to-side corner pass thru	\$16,336	245#	42" x 42"	Left & Right
GT-18+2-78L	Side-to-side pass thru, left extended	\$16,180	275#	78"	Left & Right
GT-18+2-78R	Side-to-side pass thru, right extended	\$16,180	275#	78"	Left & Right
GT-18+2-90L	Side-to-side pass thru, left extended	\$16,756	300#	90"	Left & Right
GT-18+2-90R	Side-to-side pass thru, right extended	\$16,756	300#	90"	Left & Right

\*NOTE: These units are manufactured to order and are not returnable

**ACCESSORIES**

MODEL	DESCRIPTION	LIST	WEIGHT
01000532	Glass rack	\$160	2#
01000533	Dish rack	\$306	4#
01000536	Glass rack insert for stemware	\$576	6#
01000710	Clip-on chemical rail	\$434	10#
01000706	Glass rack holder (for GT-18+1 only)	\$551	10#
01000708	Glass rack holder (+2, +1L, or +1R models)	\$1,112	20#
01000709	Glass rack holder w/shelf (+2, +1L, or +1R models)	\$1,393	25#
01000557	Export transformer†	\$1,589	20#



GT-18 with 01000710 chemical rail



01000536 Glass rack insert for stemware



01000533 Dish rack

See underbar section for wet waste sinks and drainboards.

†EXPORT TRANSFORMER- The export transformer converts the electrical requirement to 220V, 1 phase, 50Hz.



GT-18+2 with SWA-12 wet waste sink and 01000709 glass rack holder



GT-18+1 with 01000706 glass rack holder



GT-18+2-78L with 01000708 glass rack holder



GT-24-CW



GT-30-CCW

### STANDARD FEATURES

- Removable top and front shield for easy cleaning access
- Available with clockwise or counterclockwise rotation
- Conveyor lifts out for easy cleaning
- Set of three separate curtains is included
- Switch panel may be relocated in the field
- Removable side panels for easy service access
- Spray boxes unlatch for easy cleaning - engineered for maximum soil removal
- 4000 watt heater encased in an incoloy sheath to resist caustic detergents
- Digital temperature gauges built into switch panel
- Thermostat controls wash tank temperature
- Automatic electronic peristaltic metering pumps
- 1/6 HP pumps recirculate wash water and rinse water
- Fractional HP drive motor powers the belt driven conveyor and includes built-in slip clutch
- Sensor activated low water cut off in wash tank protects heater
- Automatic chemical sensor alerts operator when detergent and sanitizer is low
- Prime switches provided for high speed chemical priming
- Integrated stemware rack prevents stemware from tipping and breaking while getting washed

### PRODUCT INFORMATION

(see GT-24 and GT-30 Spec Sheets for complete details)

#### ELECTRICAL

- 120/208V or 120/240V, single phase, 60Hz, 3-wire (two hot and one neutral), ground connected per local code (green wire), 20 amp (4 wire total), unit operates within 10% of rated voltage
- Separate 20 amp circuit required [30 amp for 208V]
- A power relay in the unit separates the high and low voltages and directs the respective power to the electrical components. The heater and power light operate on 208 or 240 volts - all other components operate on 120 volts.

#### DETERGENT

- Extra heavy duty, non-foaming, commercial liquid dishwashing detergent is required - .30% concentration

#### SANITIZER

- Liquid chlorine bleach (sodium hypochlorite - 5.25% solution) adjusted to 50 ppm or iodophor adjusted to 12.5 ppm

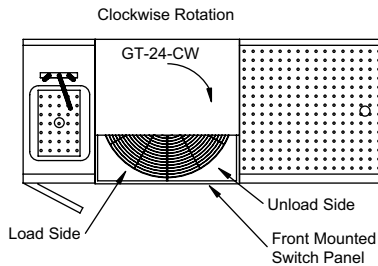
#### CAPACITY

- 3 minute cycle, 60 second wash and 60 second rinse exposure
- GT-24: 1000 - 2-1/2" diameter or 800 - 2-3/4" diameter glasses per hour
- GT-30: 1440 - 2-1/2" diameter or 1260 - 2-3/4" diameter glasses per hour
- Maximum glass height - 10"

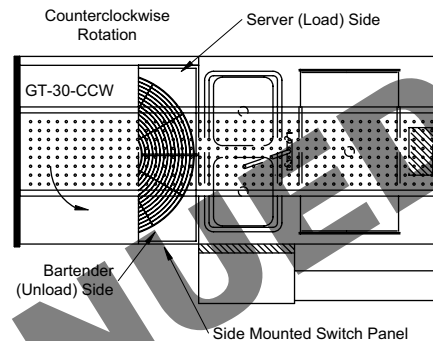
## What operational features must be specified?

- 1. SWITCH PANEL LOCATION:** The standard switch panel location is on the front unloading side of the glasswasher, because most glasswashers are in an underbar environment (see underbar plan view). In a pass-thru style cocktail station, the switch panel is located on the bartender side of the glasswasher (see pass-thru station plan view). If a side mounted switch panel is required, it must be specified when ordering.
- 2. ROTATION:** Conveyor rotation can be clockwise or counterclockwise. The rotation selection is based on work flow. In an underbar environment, the wet waste sink should be on the load side of the glasswasher to prevent crossover (see underbar plan view). In a pass-thru style cocktail station, the load side should be toward the servers (see pass-thru station plan view).

**UNDERBAR PLAN VIEW**



**PASS THRU STATION PLAN VIEW**



- 3. VOLTAGE:** Within the United States, electrical power is available as either 208V or 240V. To ensure that the 4000 watt heater operates at maximum efficiency, Glastender offers either 208V or 240V heaters. The selection of voltage depends on what is supplied to the job site. You may need to consult your electrician.

### ROTARY CONVEYOR GLASSWASHERS

MODEL	LIST	WEIGHT	LENGTH	DEPTH	ROTATION	VOLTAGE
GT-24-CW-208	\$19,513	180#	24"	24"	Clockwise	208V
GT-24-CW-240	\$19,513	180#	24"	24"	Clockwise	240V
GT-24-CCW-208	\$19,513	180#	24"	24"	Counterclockwise	208V
GT-24-CCW-240	\$19,513	180#	24"	24"	Counterclockwise	240V
GT-30-CW-208	\$21,830	215#	30"	30"	Clockwise	208V
GT-30-CW-240	\$21,830	215#	30"	30"	Clockwise	240V
GT-30-CCW-208	\$21,830	215#	30"	30"	Counterclockwise	208V
GT-30-CCW-240	\$21,830	215#	30"	30"	Counterclockwise	240V

### ACCESSORIES

MODEL	DESCRIPTION	LIST	WEIGHT
01000557	Export transformer†	\$1,589	20#
01000828	Mixing valve♦	\$390	1#
CWET-24	Clip-on wet waste for GT-24 <b>DISCONTINUED</b>	\$516	10#
CWET-30	Clip-on wet waste for GT-30 <b>DISCONTINUED</b>	\$568	15#

See underbar section for wet waste sinks and drainboards.

†**EXPORT TRANSFORMER-** The export transformer converts the electrical requirement to 220V, 1 phase, 50Hz.

♦**MIXING VALVE-** A cold supply line is used to provide water to the rinse tank. If the cold water supply is less than 75°F (24°C), then a mixing valve should be installed. A mixing valve allows hot and cold water supply lines to be mixed to achieve the desired temperature.

**TEAMWORK IS THE KEY.**

Imagine owning a piece of equipment that turns your conventional station into a profit-maker. Glastender Cocktail Stations let bartenders and cocktail servers share the work. Teamwork is the key to increasing bartender output and your bottom line.



**AN OPERATIONAL APPROACH TO EQUIPMENT DESIGN**

Glastender products are designed to eliminate wasted steps and save time at every stage of the Cocktail Life Cycle. Saving time allows you to prepare and serve more drinks per hour - and more drinks served means more drinks sold.

The three styles of pass-thru cocktail stations offered are based on the Cocktail Life Cycle: assembly, disassembly, and complete.

1. Assembly: A pass-thru ice bin for making drinks.
2. Disassembly: An automatic glasswasher for handling soiled glassware.
3. Complete: A pass-thru ice bin and automatic glasswasher for making drinks and handling soiled glassware.

**ASSEMBLY PROCESS**

- |                           |                             |
|---------------------------|-----------------------------|
| 1. Select Glass           | 4. Add Mix Ingredients      |
| 2. Add Ice                | 5. Blend, Shake, Stir, Pour |
| 3. Add Liquor Ingredients | 6. Garnish the Cocktail     |
|                           | 7. Record the Sale          |



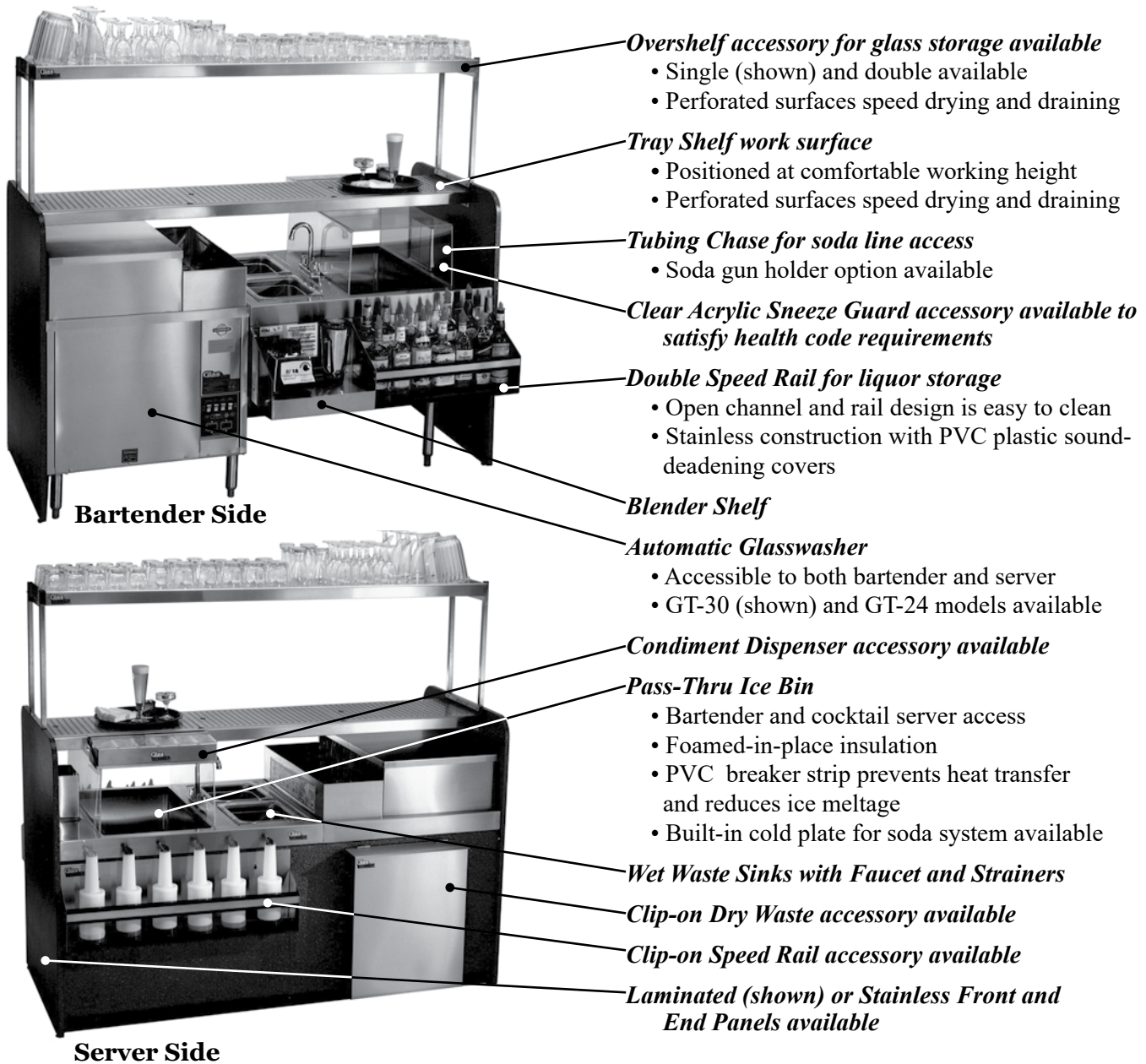
COCKTAIL LIFE CYCLE

**DISASSEMBLY PROCESS**

8. Dispose Dry Waste
9. Dispose Wet Waste
10. Wash

## PROMOTE TEAM WORK, INCREASE EFFICIENCY.

Glastender manufactures a large variety of pass-thru cocktail stations which are listed in the following pages. Many of the typical features are detailed below in this one example.



Cocktail Stations

**CS-72-CCW with optional SOS/SS-72 single overshelf and SG-30 sneeze guard**

### What is an orientation or rotation specification?

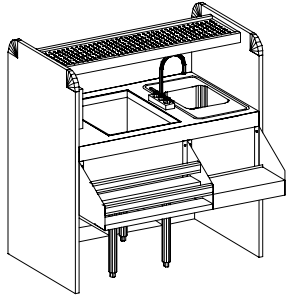
All Cocktail Stations have an orientation or rotation that determines the work flow. The orientation is dictated by the position of the glasswasher within the station. Even though assembly style Cocktail Stations do not have a glasswasher, their orientation is based on the complete Cocktail Stations from which they are derived.

The orientation and work flow are determined as follows:

**Counterclockwise:** The glasswasher is positioned to the bartender's left. The work flow is right to left.

**Clockwise:** The glasswasher is positioned to the bartender's right. The work flow is left to right.

**All faucets are certified low lead compliant**

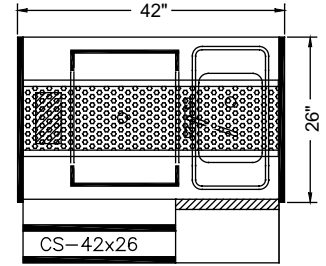


CS-42x26-CW

## CS-42x26

(see CS-42x26 Spec Sheet for complete details)

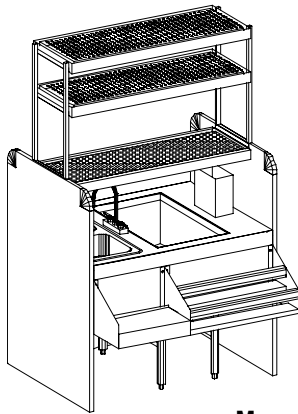
The CS-42x26 pass-thru assembly cocktail station includes the following standard features: pass-thru ice bin, tubing chase, wet waste sink with gooseneck faucet and strainer, blender shelf, double speed rail, 12" wide stainless steel draining tray shelf, and laminated or stainless steel front and end panels.



CS-42x26-CW  
(plan view)

MODEL	LIST	WEIGHT	ROTATION	FINISH PANELS
CS-42x26-CW	\$11,204	315#	Clockwise	Included
CS-42x26-CCW	\$11,204	315#	Counterclockwise	Included

Cocktail Stations

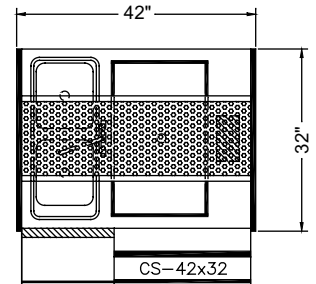


CS-42x32-CCW  
with optional double overshelf

## CS-42x32

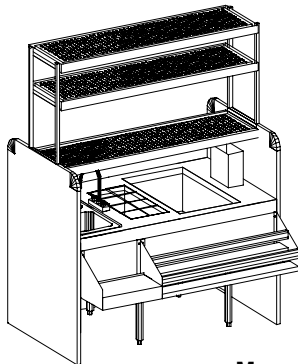
(see CS-42x32 Spec Sheet for complete details)

The CS-42x32 pass-thru assembly cocktail station includes the following standard features: pass-thru ice bin, tubing chase, two wet waste sinks with gooseneck faucet and strainers, blender shelf, double speed rail, 15" wide stainless steel draining tray shelf, and laminated or stainless steel front and end panels.



CS-42x32-CCW  
(plan view)

MODEL	LIST	WEIGHT	ROTATION	FINISH PANELS
CS-42x32-CW	\$12,150	345#	Clockwise	Included
CS-42x32-CCW	\$12,150	345#	Counterclockwise	Included

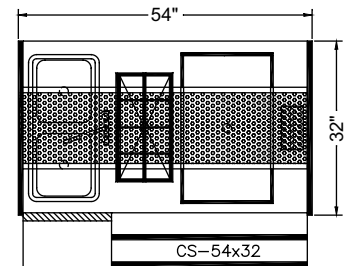


CS-54x32-CCW  
with optional double overshelf

## CS-54x32

(see CS-54x32 Spec Sheet for complete details)

The CS-54x32 pass-thru assembly cocktail station includes the following standard features: pass-thru ice bin, tubing chase, eight bottle insulated storage well, two wet waste sinks with gooseneck faucet and strainers, blender shelf, double speed rail, 15" wide stainless steel draining tray shelf, and laminated or stainless steel front and end panels.

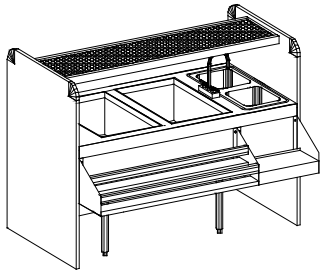


CS-54x32-CCW  
(plan view)

MODEL	LIST	WEIGHT	ROTATION	FINISH PANELS
CS-54x32-CW	\$15,159	395#	Clockwise	Included
CS-54x32-CCW	\$15,159	395#	Counterclockwise	Included

\*NOTE: Cocktail Stations are manufactured to order and are not returnable

**WARNING:** The plastic wet waste strainer included with this product can expose you to chemicals including Bisphenol A (BPA), which is known to the State of California to cause birth defects or other reproductive harm. For more information, go to [www.P65Warnings.ca.gov](http://www.P65Warnings.ca.gov). **Part #03000483**  
**Warning applies to State of California only.**

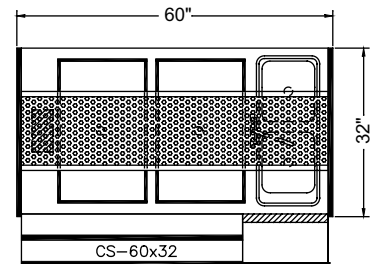


CS-60x32-CW

## CS-60x32

(see CS-60x32 Spec Sheet for complete details)

The CS-60x32 pass-thru assembly cocktail station includes the following standard features: two pass-thru ice bins, tubing chase, two wet waste sinks with gooseneck faucet and strainers, blender shelf, double speed rail, 15" wide stainless steel draining tray shelf, and laminated or stainless steel front and end panels.



CS-60x32-CW  
(plan view)

MODEL	LIST	WEIGHT	ROTATION	FINISH PANELS
CS-60x32-CW	\$15,592	435#	Clockwise	Included
CS-60x32-CCW	\$15,592	435#	Counterclockwise	Included

### ACCESSORIES

MODEL	DESCRIPTION	LIST	WEIGHT	CS-42x26	CS-42x32	CS-54x32	CS-60x32
<b>COLD PLATES</b> (Built in to pass thru ice bin liner at factory)							
02001102	Ten-circuit cold plate, for 26" deep stations	\$2,542	115#	x			
02001103	Ten-circuit cold plate, for 32" deep stations	\$2,542	120#		x	x	x
<b>OVERSHELVES</b> (Mounts to end panels of station - brackets included)							
SOS/SS-42	42" stainless steel single overshelf	\$1,253	53#	x	x		
SOS/SS-54	54" stainless steel single overshelf	\$1,539	68#			x	
SOS/SS-60	60" stainless steel single overshelf	\$1,684	75#				x
DOS/SS-42	42" stainless steel double overshelf	\$2,352	98#	x	x		
DOS/SS-54	54" stainless steel double overshelf	\$2,928	126#			x	
DOS/SS-60	60" stainless steel double overshelf	\$3,215	140#				x
<b>ICE BIN DIVIDERS</b>							
IBD-H-CS26	Ice bin divider, half, for 26" deep station	\$168	4#	x	x	x	x
IBD-H-CS32	Ice bin divider, half, for 32" deep station	\$178	4#	x	x	x	x
<b>CLIP-ON CONDIMENT DISPENSER</b> (Clips to tray shelf on bartender or server side)							
CCD/T	Condiment dispenser, clip-on to tray shelf	\$272	4#	x	x	x	x
<b>SNEEZE GUARD</b>							
03000508	Sneeze guard for 26" deep stations	\$288	15#	x			
03000509	Sneeze guard for 32" deep stations	\$303	15#		x	x	x
<b>CLIP-ON DRY WASTE RECEPTACLE</b> (Clips to front panel on cocktail server side of station)							
CDRY	Clip-on dry waste (stainless steel)	\$837	30#	x	x	x	x



CDRY  
(Shown with cocktail station)



CCD/T  
(Shown clipped to tray shelf)



03000509  
(Shown with cocktail station)

\*NOTE: Cocktail Stations are manufactured to order and are not returnable

**WARNING:** The plastic wet waste strainer included with this product can expose you to chemicals including Bisphenol A (BPA), which is known to the State of California to cause birth defects or other reproductive harm. For more information, go to [www.P65Warnings.ca.gov](http://www.P65Warnings.ca.gov). **Warning applies to State of California only.** Part #03000483

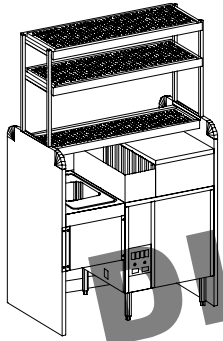


IBD-H-CS26

Cocktail Stations

**All faucets are certified low lead compliant**

Cocktail Stations



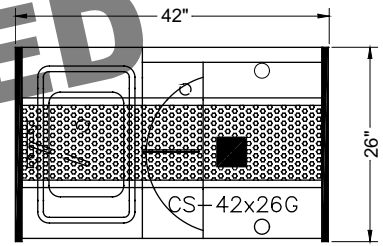
CS-42x26G-CW  
with optional double overshelf

### CS-42x26G

(see CS-42x26G Spec Sheet for complete details)

The CS-42x26G pass-thru disassembly cocktail station includes the following standard features: GT-24\* automatic conveyor glasswasher, wet waste sink with gooseneck faucet and strainer, 12" wide stainless steel draining tray shelf, and laminated or stainless steel front and end panels.

♦ The GT-24 glasswasher voltage must be specified as either 208V or 240V when ordering (see page 8 for complete explanation).



CS-42x26G-CW  
(plan view)

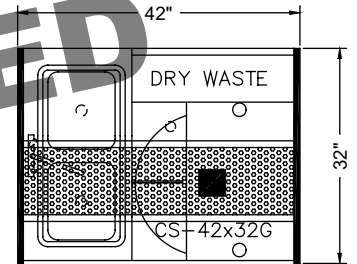
MODEL	LIST	WEIGHT	ROTATION	FINISH PANELS
CS-42x26G-CW	\$26,987	500#	Clockwise	Included
CS-42x26G-CCW	\$26,987	500#	Counterclockwise	Included

### CS-42x32G

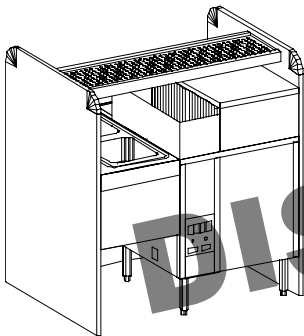
(see CS-42x32G Spec Sheet for complete details)

The CS-42x32G pass-thru disassembly cocktail station includes the following standard features: GT-24\* automatic conveyor glasswasher, stainless steel removable dry waste receptacle, two wet waste sinks with gooseneck faucet and strainers, 12" wide stainless steel draining tray shelf, and laminated or stainless steel front and end panels.

♦ The GT-24 glasswasher voltage must be specified as either 208V or 240V when ordering (see page 8 for complete explanation).



CS-42x32G-CW  
(plan view)



CS-42x32G-CW

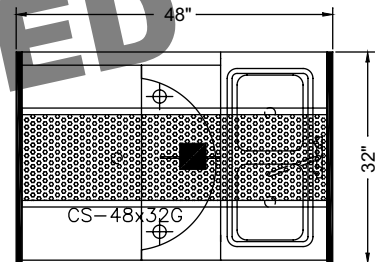
MODEL	LIST	WEIGHT	ROTATION	FINISH PANELS
CS-42x32G-CW	\$28,415	540#	Clockwise	Included
CS-42x32G-CCW	\$28,415	540#	Counterclockwise	Included

### CS-48x32G

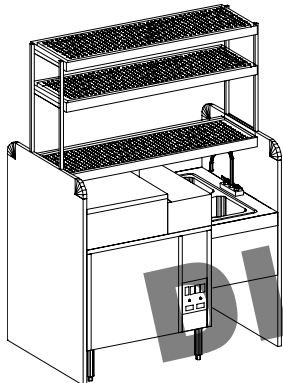
(see CS-48x32G Spec Sheet for complete details)

The CS-48x32G pass-thru disassembly cocktail station includes the following standard features: GT-30\* automatic conveyor glasswasher, two wet waste sinks with gooseneck faucet and strainers, 15" wide stainless steel draining tray shelf, and laminated or stainless steel front and end panels.

♦ The GT-30 glasswasher voltage must be specified as either 208V or 240V when ordering (see page 8 for complete explanation).



CS-48x32G-CCW  
(plan view)



CS-48x32G-CCW  
with optional double overshelf

MODEL	LIST	WEIGHT	ROTATION	FINISH PANELS
CS-48x32G-CW	\$30,172	540#	Clockwise	Included
CS-48x32G-CCW	\$30,172	540#	Counterclockwise	Included

\* NOTE: Cocktail Stations are manufactured to order and are not returnable

**WARNING:** The plastic wet waste strainer included with this product can expose you to chemicals including Bisphenol A (BPA), which is known to the State of California to cause birth defects or other reproductive harm. For more information, go to [www.P65Warnings.ca.gov](http://www.P65Warnings.ca.gov).  
**Warning applies to State of California only.** Part #03000483



ACCESSORIES		LIST	WEIGHT	CS-42x26G	CS-42x32G	CS-48x32G
MODEL	DESCRIPTION					
<b>OVERSHELVES</b> (Mounts to end panels of station - brackets included)						
SOS/SS-42	42" stainless steel single overshelf	\$1,253	53#	x	x	
SOS/SS-48	48" stainless steel single overshelf	\$1,397	60#			x
DOS/SS-42	42" stainless steel double overshelf	\$2,352	98#	x	x	
DOS/SS-48	48" stainless steel double overshelf	\$2,640	112#			x
<b>CLIP-ON SINGLE AND DOUBLE SPEED RAIL</b> (Clips to glasswasher on the bartender side of station)						
CSR-16	16" clip-on single speed rail <b>DISCONTINUED</b>	\$304	5#	x	x	
CSR-22	22" clip-on single speed rail <b>DISCONTINUED</b>	\$329	6#			x
CDSR-16	16" clip-on double speed rail <b>DISCONTINUED</b>	\$549	10#	x	x	
CDSR-22	22" clip-on double speed rail <b>DISCONTINUED</b>	\$633	12#			x
<b>CLIP-ON DRY WASTE RECEPTACLE</b> (Clips to front panel on cocktail server side of station)						
CDRY	Clip-on dry waste (stainless steel)	\$837	30#	x	x	x
<b>SPEED RAILS AND BOLT-ON BLENDER SHELVES</b> (Mounts to sink section on bartender side of station)						
SSR-16	16" single speed rail	\$263	4#	x	x	x
DSR-16	16" double speed rail	\$521	8#	x	x	x
BBS-16	16" bolt-on blender shelf	\$364	16#	x	x	x



DSR-16  
(Shown mounted to sink section)



BBS-16  
(Shown mounted to sink section)



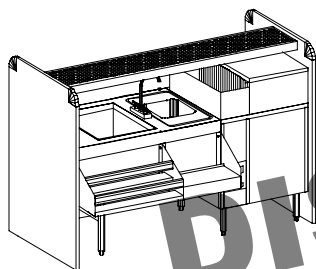
CSR-16  
(Shown clipped to glasswasher)

Cocktail Stations

## Complete Style Pass-Thru Cocktail Stations\*

### CS-66x26

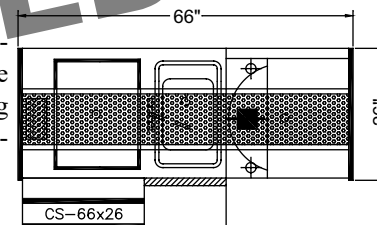
(see CS-66x26 Spec Sheet for complete details)



CS-66x26-CW

The CS-66x26 pass-thru cocktail station includes the following standard features: GT-24\* automatic conveyor glasswasher, wet waste sink with gooseneck faucet and strainer, pass thru ice bin, tubing chase, blender shelf, double speed rail, 12" wide stainless steel draining tray shelf, and laminated or stainless steel front and end panels.

♦ The GT-24 glasswasher voltage must be specified as either 208V or 240V when ordering (see page 8 for complete explanation).



CS-66x26-CW  
(plan view)

MODEL	LIST	WEIGHT	ROTATION	FINISH PANELS
CS-66x26-CW	\$31,846	550#	Clockwise	Included
CS-66x26-CCW	\$31,846	550#	Counterclockwise	Included

\*NOTE: Cocktail Stations are manufactured to order and are not returnable

**WARNING:** The plastic wet waste strainer included with this product can expose you to chemicals including Bisphenol A (BPA), which is known to the State of California to cause birth defects or other reproductive harm. For more information, go to [www.P65Warnings.ca.gov](http://www.P65Warnings.ca.gov). **Warning applies to State of California only.** Part #03000483

ACCESSORIES		LIST	WEIGHT	CS-42x26G	CS-42x32G	CS-48x32G
MODEL	DESCRIPTION					
<b>OVERSHELVES</b> (Mounts to end panels of station - brackets included)						
SOS/SS-42	42" stainless steel single overshelf	\$1,253	53#	x	x	
SOS/SS-48	48" stainless steel single overshelf	\$1,397	60#			x
DOS/SS-42	42" stainless steel double overshelf	\$2,352	98#	x	x	
DOS/SS-48	48" stainless steel double overshelf	\$2,640	112#			x
<b>CLIP-ON SINGLE AND DOUBLE SPEED RAIL</b> (Clips to glasswasher on the bartender side of station)						
CSR-16	16" clip-on single speed rail <b>DISCONTINUED</b>	\$304	5#	x	x	
CSR-22	22" clip-on single speed rail <b>DISCONTINUED</b>	\$329	6#			x
CDSR-16	16" clip-on double speed rail <b>DISCONTINUED</b>	\$549	10#	x	x	
CDSR-22	22" clip-on double speed rail <b>DISCONTINUED</b>	\$633	12#			x
<b>CLIP-ON DRY WASTE RECEPTACLE</b> (Clips to front panel on cocktail server side of station)						
CDRY	Clip-on dry waste (stainless steel)	\$837	30#	x	x	x
<b>SPEED RAILS AND BOLT-ON BLENDER SHELVES</b> (Mounts to sink section on bartender side of station)						
SSR-16	16" single speed rail	\$263	4#	x	x	x
DSR-16	16" double speed rail	\$521	8#	x	x	x
BBS-16	16" bolt-on blender shelf	\$364	16#	x	x	x



DSR-16  
(Shown mounted to sink section)



BBS-16  
(Shown mounted to sink section)



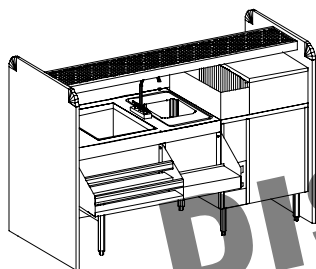
CSR-16  
(Shown clipped to glasswasher)

Cocktail Stations

## Complete Style Pass-Thru Cocktail Stations\*

### CS-66x26

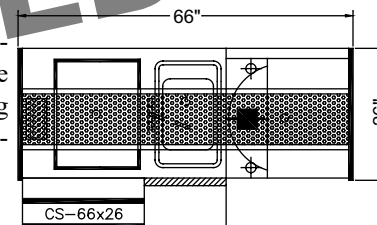
(see CS-66x26 Spec Sheet for complete details)



CS-66x26-CW

The CS-66x26 pass-thru cocktail station includes the following standard features: GT-24\* automatic conveyor glasswasher, wet waste sink with gooseneck faucet and strainer, pass thru ice bin, tubing chase, blender shelf, double speed rail, 12" wide stainless steel draining tray shelf, and laminated or stainless steel front and end panels.

♦ The GT-24 glasswasher voltage must be specified as either 208V or 240V when ordering (see page 8 for complete explanation).



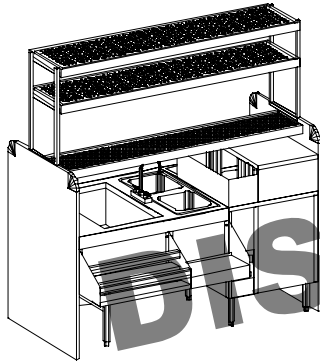
CS-66x26-CW  
(plan view)

MODEL	LIST	WEIGHT	ROTATION	FINISH PANELS
CS-66x26-CW	\$31,846	550#	Clockwise	Included
CS-66x26-CCW	\$31,846	550#	Counterclockwise	Included

\*NOTE: Cocktail Stations are manufactured to order and are not returnable

**WARNING:** The plastic wet waste strainer included with this product can expose you to chemicals including Bisphenol A (BPA), which is known to the State of California to cause birth defects or other reproductive harm. For more information, go to [www.P65Warnings.ca.gov](http://www.P65Warnings.ca.gov). **Warning applies to State of California only.** Part #03000483

**All faucets are certified low lead compliant**



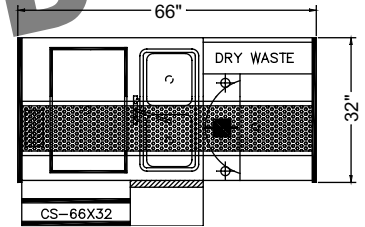
CS-66x32-CW  
with optional double overshelf

## CS-66x32

(see CS-66x32 Spec Sheet for complete details)

The CS-66x32 pass-thru cocktail station includes the following standard features: GT-24\* automatic conveyor glasswasher, stainless steel removable dry waste receptacle, two wet waste sinks with gooseneck faucet and strainers, pass-thru ice bin, tubing chase, blender shelf, double speed rail, 12" wide stainless steel draining tray shelf, and laminated or stainless steel front and end panels.

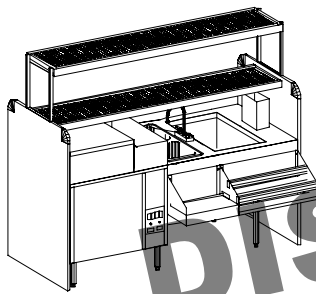
♦ The GT-24 glasswasher voltage must be specified as either 208V or 240V when ordering (see page 8 for complete explanation).



CS-66x32-CW  
(plan view)

MODEL	LIST	WEIGHT	ROTATION	FINISH PANELS
CS-66x32-CW	\$33,513	600#	Clockwise	Included
CS-66x32-CCW	\$33,513	600#	Counterclockwise	Included

Cocktail Stations



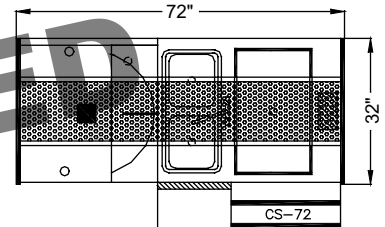
CS-72-CCW  
with optional single overshelf

## CS-72

(see CS-72 Spec Sheet for complete details)

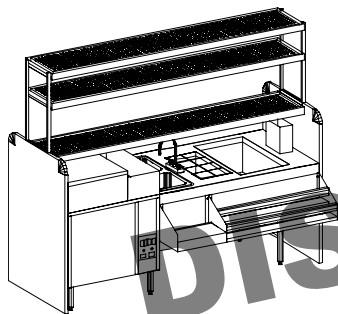
The CS-72 pass-thru cocktail station includes the following standard features: GT-30\* automatic conveyor glasswasher, two wet waste sinks with gooseneck faucet and strainers, pass-thru ice bin, tubing chase, blender shelf, double speed rail, 15" wide stainless steel draining tray shelf, and laminated or stainless steel front and end panels.

♦ The GT-30 glasswasher voltage must be specified as either 208V or 240V when ordering (see page 8 for complete explanation).



CS-72-CCW  
(plan view)

MODEL	LIST	WEIGHT	ROTATION	FINISH PANELS
CS-72-CW	\$35,298	700#	Clockwise	Included
CS-72-CCW	\$35,298	700#	Counterclockwise	Included



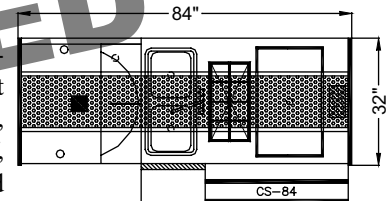
CS-84-CCW with optional  
double overshelf

## CS-84

(see CS-84 Spec Sheet for complete details)

The CS-84 pass-thru cocktail station includes the following standard features: GT-30\* automatic conveyor glasswasher, two wet waste sinks with gooseneck faucet and strainers, pass-thru ice bin, tubing chase, eight bottle insulated storage well, blender shelf, double speed rail, 15" wide stainless steel draining tray shelf, and laminated or stainless steel front and end panels.

♦ The GT-30 glasswasher voltage must be specified as either 208V or 240V when ordering (see page 8 for complete explanation).



CS-84-CCW  
(plan view)

MODEL	LIST	WEIGHT	ROTATION	FINISH PANELS
CS-84-CW	\$38,464	750#	Clockwise	Included
CS-84-CCW	\$38,464	750#	Counterclockwise	Included

\* NOTE: Cocktail Stations are manufactured to order and are not returnable

**WARNING:** The plastic wet waste strainer included with this product can expose you to chemicals including Bisphenol A (BPA), which is known to the State of California to cause birth defects or other reproductive harm. For more information, go to [www.P65Warnings.ca.gov](http://www.P65Warnings.ca.gov).  
Warning applies to State of California only. Part #03000483

**ACCESSORIES**

MODEL	DESCRIPTION	LIST	WEIGHT	CS-66x26	CS-66x32	CS-72	CS-84
<b>COLD PLATES</b> (Built in to pass-thru ice bin liner at factory)							
02001102	Ten-circuit cold plate, for 26" deep stations	\$2,542	115#	x			
02001103	Ten-circuit cold plate, for 32" deep stations	\$2,542	120#		x	x	x
<b>OVERSHELVES</b> (Mounts to end panels of station - brackets included)							
SOS/SS-66	66" stainless steel single overshelf	\$1,827	83#	x	x		
SOS/SS-72	72" stainless steel single overshelf	\$1,969	90#			x	
SOS/SS-84	84" stainless steel single overshelf	\$2,258	105#				x
DOS/SS-66	66" stainless steel double overshelf	\$3,501	154#	x	x		
DOS/SS-72	72" stainless steel double overshelf	\$3,789	168#			x	
DOS/SS-84	84" stainless steel double overshelf	\$4,363	196#				x
<b>ICE BIN DIVIDERS</b>							
IBD-H-CS26	Ice bin divider, half, for 26" deep station	\$168	4#	x			
IBD-H-CS32	Ice bin divider, half, for 32" deep station	\$178	4#		x	x	x
<b>CLIP-ON CONDIMENT DISPENSER</b> (Clips to tray shelf on bartender or server side)							
CCD/T	Condiment dispenser, clip-on to tray shelf	\$272	4#	x	x	x	x
<b>SNEEZE GUARD</b>							
03000508	Sneeze guard for 26" deep stations	\$288	15#	x			
03000509	Sneeze guard for 32" deep stations	\$303	15#		x	x	x
<b>CLIP-ON SINGLE AND DOUBLE SPEED RAILS</b> (Clips on to glasswasher on bartender side)							
CSR-16	16" Clip-on single speed rail <b>DISCONTINUED</b>	\$304	5#	x	x		
CSR-22	22" Clip-on single speed rail <b>DISCONTINUED</b>	\$329	6#			x	x
CDSR-16	16" Clip-on double speed rail <b>DISCONTINUED</b>	\$549	10#	x	x		
CDSR-22	22" Clip-on double speed rail <b>DISCONTINUED</b>	\$633	12#			x	x
<b>CLIP-ON DRY WASTE RECEPTACLE</b> (Clips to front panel on cocktail server side of station)							
CDRY	Clip-on dry waste (stainless steel)	\$837	30#	x	x	x	x



**Cocktail Stations**

**LAMINATED PANELS**

MODEL	DESCRIPTION	LIST	WT
EP-24	26" deep station end panel	\$1,384	40#
EP-30	32" deep station end panel	\$1,384	45#
FP-26	54" station front panel (2 required)	\$865	18#
FP-29	60" station front panel (2 required)	\$865	19#
FP-32	66" station front panel (2 required)	\$865	20#
FP-35	72" station front panel (2 required)	\$865	23#
FP-40	42" station front panel	\$1,099	25#
FP-41	84" station front panel (2 required)	\$1,099	26#
FP-46	48" station front panel	\$1,099	32#

**STAINLESS STEEL PANELS**

MODEL	DESCRIPTION	LIST	WT
EP-24-SS	26" deep station end panel	\$1,073	45#
EP-30-SS	32" deep station end panel	\$1,229	50#
FP-26-SS	54" station front panel (2 required)	\$731	21#
FP-29-SS	60" station front panel (2 required)	\$780	22#
FP-32-SS	66" station front panel (2 required)	\$830	23#
FP-35-SS	72" station front panel (2 required)	\$874	26#
FP-40-SS	42" station front panel	\$953	28#
FP-41-SS	84" station front panel (2 required)	\$967	29#
FP-46-SS	48" station front panel	\$1,047	35#

**TRAY SHELVES**

MODEL	DESCRIPTION
TSC- ♦	12" wide tray shelf \$527 list for first 12". Add \$276 list for each additional 12". Weight 10# per foot.
TSD- ♦	15" wide tray shelf \$535 list for first 12". Add \$286 list for each additional 12". Weight 12# per foot.
TS-20X- ♦	20" wide tray shelf \$556 list for first 12". Add \$311 list for each additional 12". Weight 15# per foot.

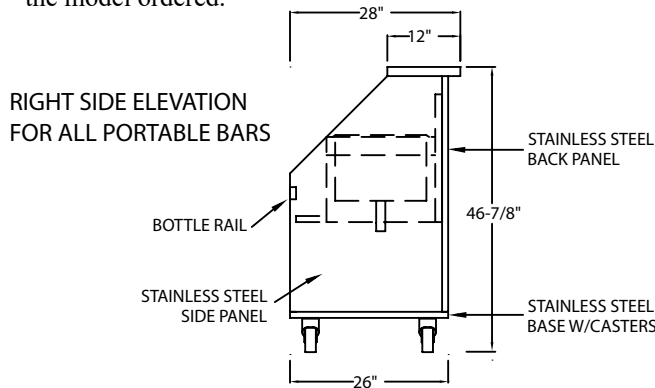
♦ Specify length in inches

\*NOTE: Cocktail Stations are manufactured to order and are not returnable



PBC48-12

Portable bars for stackable cups come with a cup storage well for three rows up to 4-1/4" in diameter, as well as a cocktail ice bin and an iced beverage storage bin. The size of the cocktail bin and beverage storage bin vary depending on the model ordered.



PBG72-12

Portable bars for glassware come with a glass storage work surface area consisting of a pan with perforated insert and rack slides for storing three 20"x20" glass racks below. They also include a cocktail ice bin and an iced beverage storage bin, the sizes of which vary depending on the model ordered.

\*NOTE: Portable bars are made to order and are not returnable.

**PORTABLE BAR FOR STACKABLE CUPS**

MODEL	LIST	COCKTAIL ICE BIN	BEVERAGE BIN	WT	OVERALL LENGTH
PBC48-12	\$11,032	12"	24"	275#	48"
PBC48-18	\$11,118	18"	18"	275#	48"
PBC54-12	\$11,724	12"	30"	300#	54"
PBC54-18	\$11,813	18"	24"	300#	54"
PBC60-12	\$12,436	12"	36"	325#	60"
PBC60-18	\$12,507	18"	30"	325#	60"

**PRODUCT INFORMATION**

(see PBC, PBCR, PBG, and PBGR Spec Sheets for complete details)

**STANDARD FEATURES:**

- Weather resistant stainless steel construction
- Stainless steel bottle rail with PVC plastic sound deadening cover. Rail includes clear snap-on liquor identification label cover.
- PBC and PBCR - Cup storage well for three rows up to 4-1/4" in diameter
- PBG and PBGR - Glass storage pan with perforated insert and storage for three glass racks below
- Cocktail ice bin with sliding cover and condiment cup area. Rear condiment area has hinged stainless steel sanitary cover with three (12") or four (18") cups.
- Iced beverage storage bin with separate drain to prevent contamination of ice used to make cocktails. Drain includes flexible hose and on/off valve for draining when convenient.
- Foamed-in-place insulation and an PVC plastic breaker strip around ice bin liners to prevent thermal transfer from outside the ice bin so ice lasts longer
- 6-gallon plastic drain tank with on-off valve to collect melting ice water from cocktail bin
- 4" heavy-duty rubberized casters. The two bartender side corner casters are locking.
- Stainless steel front and side panels are welded to the 16-gauge stainless steel base for incredible durability
- Stainless steel bar top and front and side panels have a plastic honeycomb core for durability and sound deadening
- Stylish feathered jewel finish on bar top hides scratches

**PORTABLE BAR FOR GLASSWARE**

MODEL	LIST	COCKTAIL ICE BIN	BEVERAGE BIN	WT	OVERALL LENGTH
PBG66-12	\$13,584	12"	24"	355#	66"
PBG66-18	\$13,670	18"	18"	355#	66"
PBG72-12	\$14,300	12"	30"	380#	72"
PBG72-18	\$14,387	18"	24"	380#	72"
PBG78-12	\$15,014	12"	36"	405#	78"
PBG78-18	\$15,102	18"	30"	405#	78"

**PORTABLE BAR FOR STACKABLE CUPS WITH SPACE FOR REFRIGERATOR**

<u>MODEL</u>	<u>LIST</u>	<u>COCKTAIL ICE BIN</u>	<u>BEVERAGE BIN</u>	<u>WT</u>	<u>OVERALL LENGTH</u>
PBCR72-12	\$13,655	12"	12"	340#	72"
PBCR78-12	\$14,354	12"	18"	365#	78"
PBCR78-18	\$14,440	18"	12"	365#	78"
PBCR84-12	\$15,069	12"	24"	390#	84"
PBCR84-18	\$15,153	18"	18"	390#	84"
PBCR90-12	\$15,764	12"	30"	415#	90"
PBCR90-18	\$15,848	18"	24"	415#	90"
PBCR96-12	\$16,456	12"	36"	440#	96"
PBCR96-18	\$16,543	18"	30"	440#	96"

Portable bars for stackable cups with space for a refrigerator share the same features as the other stackable cups models, except they also include a 36" w by 25" d by 38-3/4" h space for an on-board refrigerator. The refrigerator must be ordered separately. A Glastender model C1FB36 (page 75) or ST36 (Page 113) is recommended. If a non-Glastender refrigerator is being used, verify the power cord can exit the front of the 36" opening.



PBCR96-18



PBCR72-12

**PORTABLE BAR FOR GLASSWARE WITH SPACE FOR REFRIGERATOR**

<u>MODEL</u>	<u>LIST</u>	<u>COCKTAIL ICE BIN</u>	<u>BEVERAGE BIN</u>	<u>WT</u>	<u>OVERALL LENGTH</u>
PBGR90-12	\$15,897	12"	12"	415#	90"
PBGR96-12	\$16,612	12"	18"	440#	96"
PBGR96-18	\$16,696	18"	12"	440#	96"

Portable bars for glassware with space for a refrigerator share the same features as the other glassware models, except they also include a 36" w by 25" d by 38-3/4" h space for an on-board refrigerator. The refrigerator must be ordered separately. A Glastender model C1FB36 (page 75) or ST36 (Page 113) is recommended. If a non-Glastender refrigerator is being used, verify the power cord can exit the front of the 36" opening.

\*NOTE: Portable bars are made to order and are not returnable.

**Portable Bars Graphic Wraps**



We can apply a wrap to your portable bar with any image.

Pricing assumes camera-ready artwork provided by customer.

**GRAPHIC WRAPS FOR PORTABLE BARS**

<u>MODEL</u>	<u>DESCRIPTION</u>	<u>LIST</u>
GWP48	Wrap for 48" w unit	\$3,129
GWP54	Wrap for 54" w unit	\$3,265
GWP60	Wrap for 60" w unit	\$3,393
GWP66	Wrap for 66" w unit	\$3,520
GWP72	Wrap for 72" w unit	\$3,625
GWP78	Wrap for 78" w unit	\$3,775
GWP84	Wrap for 84" w unit	\$3,903
GWP90	Wrap for 90" w unit	\$4,029
GWP96	Wrap for 96" w unit	\$4,245

Bar Fabrication - Main Line



IBA-24-CP10

**PRODUCT INFORMATION**

(see IB and IB-ED Spec Sheets for complete details)

**STANDARD FEATURES**

- One-piece, seamless top and backsplash
- PVC plastic breaker strip around ice bin liner: creates 5/16" raised edge around liner (NSF® requirement is 3/16"), acts as a thermal barrier to prevent heat transfer, and makes the covers slide easier
- Tubing chase available centered in backsplash of 12" and larger models. Specify accessory model #TC-BS.
- 24" deep version provides a larger ice bin, not just a deck extension on the back of 19" deep model
- Sliding stainless steel cover
- Foamed-in-place insulation
- Models without cold plates have a 1-1/2" welded tailpiece - no drain fitting to break or come loose
- 10-1/2" deep liner (Extra deep models have a 14-1/2" deep liner)
- Adjustable stainless steel bullet feet

**What is a cold plate?**

A cold plate is an aluminum block with stainless steel lines or circuits molded within. Glastender ice bins can be manufactured with a ten-circuit cold plate built into the bottom liner. Soda lines are attached by the soda vendor to the input and output lines of the cold plate and the soda water and syrup is chilled as it passes through these lines. Please consult your soda vendor to determine if cold plates are required in your ice bins.

**19" DEEP ICE BINS\***

MODEL	LIST	LENGTH	WEIGHT	ICE CAPACITY
IBA-6†	\$1,298	6"	40#	17#
IBA-12	\$1,837	12"	50#	33#
IBA-18	\$2,075	18"	60#	50#
IBA-24	\$2,316	24"	70#	67#
IBA-30	\$2,558	30"	80#	84#
IBA-36	\$2,835	36"	90#	100#
IBA-42	\$3,084	42"	100#	117#
IBA-48	\$3,329	48"	110#	134#

**19" DEEP EXTRA DEEP ICE BINS\***

IBA-18-ED	\$2,348	18"	75#	69#
IBA-24-ED	\$2,615	24"	80#	92#
IBA-30-ED	\$2,886	30"	90#	116#
IBA-36-ED	\$3,189	36"	100#	139#
IBA-42-ED	\$3,462	42"	110#	162#
IBA-48-ED	\$3,735	48"	125#	185#

**WITH 10-CIRCUIT COLD PLATE**

IBA-24-CP10	\$4,107	24"	130#	67#
IBA-30-CP10	\$4,422	30"	145#	84#
IBA-36-CP10	\$4,836	36"	160#	100#
IBA-42-CP10	\$5,470	42"	170#	117#
IBA-48-CP10	\$5,715	48"	180#	134#

**19" EXTRA DEEP ICE BINS WITH 10-CIRCUIT COLD PLATE\***

IBA-24-CP10-ED	\$4,590	24"	140#	92#
IBA-30-CP10-ED	\$4,944	30"	155#	116#
IBA-36-CP10-ED	\$5,461	36"	170#	139#
IBA-42-CP10-ED	\$6,083	42"	180#	162#
IBA-48-CP10-ED	\$6,383	48"	190#	185#

† Not free standing

**24" DEEP ICE BINS\***

MODEL	LIST	LENGTH	WEIGHT	ICE CAPACITY
IBB-6†	\$1,407	6"	45#	21#
IBB-12	\$1,986	12"	55#	42#
IBB-18	\$2,263	18"	70#	64#
IBB-24	\$2,578	24"	80#	85#
IBB-30	\$2,826	30"	95#	106#
IBB-36	\$3,126	36"	110#	127#
IBB-42	\$3,423	42"	120#	149#
IBB-48	\$3,697	48"	130#	170#

**WITH 10-CIRCUIT COLD PLATE\***

IBB-24-CP10	\$4,330	24"	145#	85#
IBB-30-CP10	\$5,132	30"	160#	106#
IBB-36-CP10	\$5,465	36"	170#	127#
IBB-42-CP10	\$5,787	42"	185#	149#
IBB-48-CP10	\$6,084	48"	195#	170#

**24" EXTRA DEEP ICE BINS WITH 10-CIRCUIT COLD PLATE\***

IBB-24-CP10-ED	\$4,749	24"	155#	117#
IBB-30-CP10-ED	\$5,596	30"	170#	147#
IBB-36-CP10-ED	\$5,961	36"	180#	176#
IBB-42-CP10-ED	\$6,320	42"	195#	205#
IBB-48-CP10-ED	\$6,651	48"	205#	235#

† Not free standing

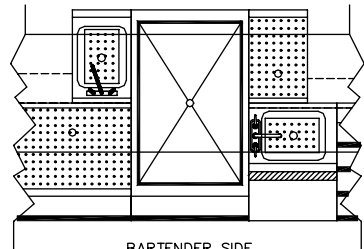
\*NOTE: These ice bin models are manufactured to order and are not returnable

**PASS-THRU ICE BINS**

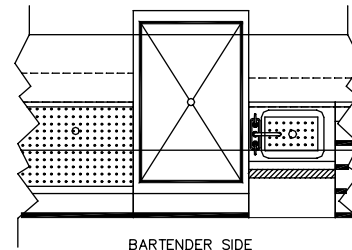
MODEL	LIST	COLD PLATE	WEIGHT	ICE CAPACITY
IB-38X24*	\$4,193	N/A	100#	175#
IB-38X24-CP10	\$6,031	10 circuit	190#	175#

A 24" wide by 38" deep pass-thru ice bin is used to provide the cocktail servers with access to the ice. Pass-thru ice bins have the same features as standard ice bins, except there is no backsplash and the sliding cover is double sided. The bartender side of the ice bin lines up with the underbar equipment the same as a standard ice bin. The 38" deep dimension also allows a pass-thru ice bin to line up with back-to-back mounted underbar equipment (see sample drawings).

\*NOTE: This model is manufactured to order and is not returnable



BARTENDER SIDE  
Underbar Plan View with Pass-Thru Ice Bin and Back-to-Back Mounted Underbar



BARTENDER SIDE  
Underbar Plan View with Pass-Thru Ice Bin

**PRODUCT INFORMATION**  
(see IB-38x24 Spec Sheet for complete details)



IB-38X24

**ACCESSORIES**

MODEL	DESCRIPTION	LIST	WEIGHT
TC-BS	Tube chase centered in backsplash (12" wide and larger models only)	\$73	N/A
IMF	Ice-melting faucet (12" wide and larger models only)	\$576	3#
SSR-12	12" single speed rail	\$239	4#
SSR-18	18" single speed rail	\$263	6#
SSR-24	24" single speed rail	\$288	7#
SSR-30	30" single speed rail	\$312	10#
SSR-36	36" single speed rail	\$335	12#
SSR-42	42" single speed rail	\$359	18#
SSR-48	48" single speed rail	\$385	22#
DSR-12	12" double speed rail	\$475	8#
DSR-18	18" double speed rail	\$521	12#
DSR-24	24" double speed rail	\$562	14#
DSR-30	30" double speed rail	\$610	20#
DSR-36	36" double speed rail	\$657	24#
DSR-42	42" double speed rail	\$705	36#
DSR-48	48" double speed rail	\$759	44#
CCD	Condiment dispenser	\$220	5#
CCD6-12	Condiment dispenser, ice chilled, includes six cups and two lift off covers, for IBA-12 or well of CBA model	\$506	8#
IBD-H-A	Ice bin divider, half, for 19" deep ice bin	\$112	4#
IBD-H-B	Ice bin divider, half, for 24" deep ice bin	\$143	4#
IBD-H-A-ED	Ice bin divider, half, for 19" deep extra deep ice bin	\$131	4#
IBD-H-B-ED	Ice bin divider, half, for 24" deep extra deep ice bin	\$168	4#
IBD-H-P	Ice bin divider, half, for IB-38X24	\$187	4#
IBD-H-P-CP	Ice bin divider, half, for IB-38X24-CP10	\$201	4#
IBD-H-P-LR	Ice bin divider, half, left to right for IB-38X24	\$143	4#



SSR-24



DSR-24



CCD6-12



TC-BS



IBD-H-A



CCD

NOTE: For Bottle Wells or Racks see page 25

Bar Fabrication - Main Line





CBA-36R-CP10  
with optional SSR-36

**PRODUCT INFORMATION**  
(see CB and CB-ED Spec Sheets  
for complete details)

**STANDARD FEATURES**

- One-piece, seamless top and backsplash
- PVC plastic breaker strip around ice bin liner: creates 5/16" raised edge around liner (NSF® requirement is 3/16"), acts as thermal barrier to prevent heat transfer, and makes the covers slide easier
- Tubing chase available centered in backsplash of 12" and larger models. Specify accessory model #TC-BS.
- 24" deep version provides a larger ice bin, not just a deck extension on the back of 19" deep model
- Sliding stainless steel cover
- Foamed-in-place insulation
- Models without cold plates have a 1-1/2" welded tailpiece - no drain fitting to break or come loose
- 10-1/2" deep liner (Extra deep models have a 14-1/2" deep liner)
- Adjustable stainless steel bullet feet

Combo Ice Bins combine separate draining ice bin and bottle well compartments into one integral unit. The fully insulated bottle well comes with wire rack(s) for ice chilled storage of bottles. The bottle well may be located on the left, right, or both sides of the ice bin.

**19" DEEP COMBO ICE BINS\***

MODEL	LIST	LENGTH	WT	ICE CAPACITY	BOTTLES STORED
CBA-30L3 or R3	\$3,336	30"	90#	67#	3
CBA-30L or R	\$3,336	30"	90#	50#	6
CBA-36L or R	\$3,589	36"	100#	67#	6
CBA-42	\$4,367	42"	110#	50#	12
CBA-42L or R	\$3,837	42"	110#	84#	6
CBA-48	\$4,651	48"	120#	67#	12
CBA-48L or R	\$4,127	48"	120#	100#	6

**WITH 10-CIRCUIT COLD PLATE**

CBA-30L3 or R3-CP10	\$5,402	30"	165#	67#	3
CBA-36L or R-CP10	\$5,653	36"	170#	67#	6
CBA-42L or R-CP10	\$5,980	42"	180#	84#	6
CBA-48-CP10	\$6,825	48"	200#	67#	12
CBA-48L or R-CP10	\$6,426	48"	200#	100#	6
CBA-54-CP10*	\$7,161	54"	210#	84#	12
CBA-60-CP10*	\$7,605	60"	220#	100#	12

**19" EXTRA DEEP COMBO ICE BINS WITH 10-CIRCUIT COLD PLATE\***

CBA-30L3 or R3-CP10-ED	\$5,803	30"	175#	92#	3
CBA-36L or R-CP10-ED	\$6,055	36"	180#	92#	6
CBA-42L or R-CP10-ED	\$6,411	42"	190#	116#	6
CBA-48-CP10-ED	\$7,297	48"	210#	92#	12
CBA-48L or R-CP10-ED	\$6,884	48"	210#	139#	6

**24" DEEP COMBO ICE BINS WITH 10-CIRCUIT COLD PLATE\***

CBB-30L4 or R4-CP10	\$6,072	30"	175#	85#	4
CBB-36L or R-CP10	\$6,368	36"	180#	85#	8
CBB-42L or R-CP10	\$6,631	42"	190#	106#	8
CBB-48-CP10	\$7,864	48"	210#	85#	16
CBB-48L or R-CP10	\$6,895	48"	210#	127#	8

\*NOTE: These Combo Ice Bin models are manufactured to order and are not returnable

**COMBO ICE BIN ACCESSORIES**

MODEL	DESCRIPTION	LIST	WEIGHT
TC-BS	Tubing chase centered in backsplash	\$73	N/A
IMF	Ice-melting faucet	\$576	3#
SSR-30	30" single speed rail	\$312	10#
SSR-36	36" single speed rail	\$335	12#
SSR-42	42" single speed rail	\$359	18#
SSR-48	48" single speed rail	\$385	22#
SSR-54	54" single speed rail	\$562	25#
SSR-60	60" single speed rail	\$588	28#
DSR-30	30" double speed rail	\$610	20#
DSR-36	36" double speed rail	\$657	24#
DSR-42	42" double speed rail	\$705	36#
DSR-48	48" double speed rail	\$759	44#
DSR-54	54" double speed rail	\$1,012	50#
DSR-60	60" double speed rail	\$1,048	56#
CCD	Condiment dispenser	\$220	5#
IBD-H-A	Ice bin divider, half, for 19" deep ice bin	\$112	4#
IBD-H-B	Ice bin divider, half, for 24" deep ice bin	\$143	4#



SSR-54



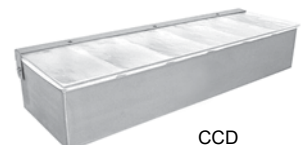
IBD-H-A



TC-BS



DSR-54



CCD



CBA-36-CP10-CS



Large chase behind each bottle well provides access for soda and liquor lines.

**CASINO STYLE COMBO ICE BIN\***

<u>MODEL</u>	<u>LIST</u>	<u>LENGTH</u>	<u>WT</u>	<u>ICE CAPACITY</u>	<u>BOTTLES STORED</u>
CBA-36-CP10-CS	\$7,035	36"	190#	67#	6

\*NOTE: Casino Style Combo Ice Bin model is manufactured to order and not returnable

**CASINO STYLE COMBO ICE BIN ACCESSORY**

<u>MODEL</u>	<u>DESCRIPTION</u>	<u>LIST</u>	<u>WEIGHT</u>
CCD	Condiment dispenser	\$220	5#

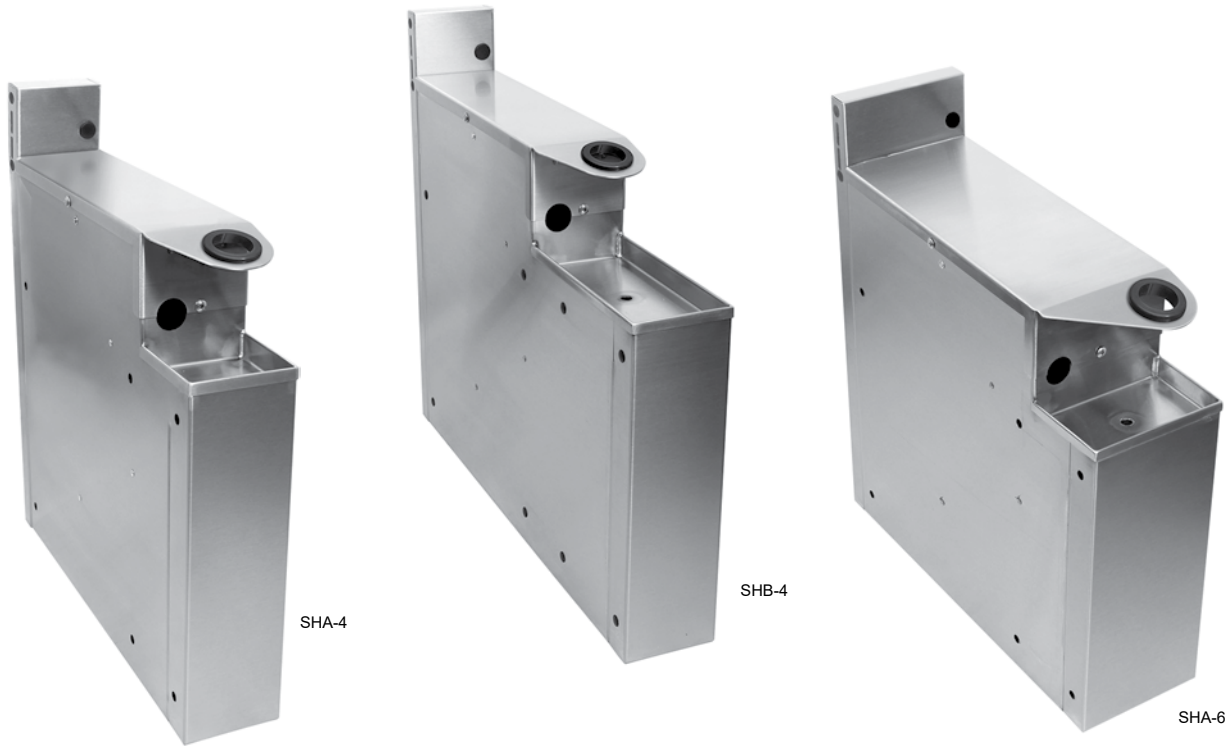
**PRODUCT INFORMATION**

(see Casino Spec Sheet for complete details)

**STANDARD FEATURES**

- Integrates one ice bin, two separate draining bottle wells, and two tubing chases into a one-piece seamless top and backsplash
- All stainless steel construction
- PVC plastic breaker strip around ice bin liner: creates 5/16" raised edge around liner, acts as thermal barrier to prevent heat transfer, and makes the cover slide easier
- One 3-bottle well to the left and right of the main ice bin liner
- 4" by 4-1/2" chase opening located behind each bottle well
- 24" single speed rail with PVC sound deadening cover included
- Sliding stainless steel cover for main ice bin liner
- Adjustable stainless steel bullet feet
- Ten circuit cold plate standard in main ice bin liner

Patented. For more information visit:  
<https://www.glastender.com/patents>



Bar Fabrication - Main Line

**PRODUCT INFORMATION**

(see SH Spec Sheet for complete details)

**STANDARD FEATURES**

- All stainless steel construction
- Designed to house the manifold of Wunder-Bar® or Schroeder America™ 8 to 14 button soda guns
- Includes integral drip pan with radius corners for easy cleaning
- Built-in holder for soda gun
- Top cover is removable for access to the soda manifold
- Allows you to dictate the soda gun location
- Eliminates the need for tubing bundles above the work surface
- Designed to mount to at least one other piece of underbar equipment (there is no provision for leg mounting)
- Includes camlock in backsplash for mounting to adjacent underbar
- Extra deep “-ED” models available to align with extra-deep style ice bins

\*NOTE: These items are manufactured to order and are not returnable

**19" DEEP SODA GUN HOLDERS**

MODEL	LIST	LENGTH	WEIGHT
SHA-4	\$832	4"	22#
SHA-4-ED	\$884	4"	24#
SHA-6	\$869	6"	25#
SHA-6-ED	\$928	6"	27#

**24" DEEP SODA GUN HOLDERS**

MODEL	LIST	LENGTH	WEIGHT
SHB-4	\$882	4"	22#
SHB-4-ED*	\$943	4"	24#
SHB-6	\$921	6"	25#
SHB-6-ED*	\$990	6"	27#

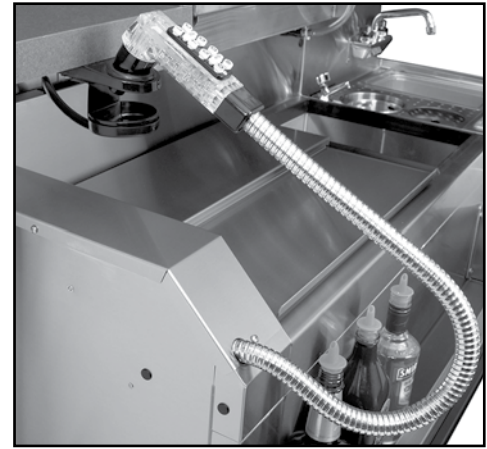
**38" DEEP PASS THRU SODA GUN HOLDERS**

MODEL	LIST	LENGTH	WEIGHT
SHP-4*	\$1,329	4"	32#
SHP-4-ED*	\$1,418	4"	34#
SHP-6*	\$1,408	6"	35#
SHP-6-ED*	\$1,504	6"	37#



SMHA-4

Installation photo showing soda gun drip cup mounted below bar top (soda gun and drip cup not included)



**PRODUCT INFORMATION**

(see SMH Spec Sheet for complete details)

**STANDARD FEATURES**

- Stainless steel construction
- Designed to house the manifold of Wunder-Bar® or Schroeder America™ 8 to 14 button soda guns
- Once installed, the top of the housing is 34" high
- Top cover is removable for access to the soda manifold
- Eliminates the need for tubing bundles above the work surface
- Mounts to an adjacent piece of underbar (there is no provision for leg mounting)
- The soda gun drip cup supplied by the soda gun manufacturer mounts to the underside of your bar top
- Extra deep "-ED" models available to align with extra-deep style ice bins

**19" DEEP SODA MANIFOLD HOUSING**

MODEL	LIST	LENGTH	WEIGHT
SMHA-4	\$613	4"	20#
SMHA-4-ED*	\$653	4"	22#
SMHA-6*	\$654	6"	23#
SMHA-6-ED*	\$698	6"	25#

**24" DEEP SODA MANIFOLD HOUSING**

MODEL	LIST	LENGTH	WEIGHT
SMHB-4*	\$671	4"	24#
SMHB-4-ED*	\$723	4"	26#
SMHB-6*	\$718	6"	28#
SMHB-6-ED*	\$772	6"	30#

**38" DEEP PASS THRU MANIFOLD HOUSING**

MODEL	LIST	LENGTH	WEIGHT
SMHP-4*	\$990	4"	35#
SMHP-4-ED*	\$1,072	4"	37#
SMHP-6*	\$1,062	6"	40#
SMHP-6-ED*	\$1,148	6"	42#

\*NOTE: These items are manufactured to order and are not returnable

Bar Fabrication - Main Line

**Undercounter Mount Gun Holder**



UMGH

**PRODUCT INFORMATION**  
(see UMGH Spec Sheet for complete details)



14 gauge stainless steel with rubber grommet and plastic drip pan. Grommet is specially sized to properly hold both Wunder-Bar® and Schroeder America™ style soda guns. Includes 10' of drain line tube.

**UNDERCOUNTER MOUNT GUN HOLDER**

MODEL	LIST	WEIGHT
UMGH	\$157	3#

## PRODUCT INFORMATION

(see BW Spec Sheet for complete details)

Bottle Wells are PVC plastic-molded bottle holders that are placed in an ice bin to hold ice-chilled mix-ingredient pour and store bottles. There are two sizes of wells: 3 bottle for 19" deep ice bins and four bottle for 24" deep ice bins. The 3 bottle notched model is used with the IB-38x24 pass-thru ice bin.

A bottle well may be placed on one or both sides of an ice bin and is designed with a special ledge on one side to hold a sliding ice bin cover. When bottle wells are ordered with an original ice bin, the correct, smaller-sliding ice bin cover is automatically provided.

For three bottles stored on one side of a 19" deep ice bin, order one model number BW3. For three bottles stored on both sides of a 19" deep ice bin, order a quantity of two BW3.

For four bottles stored on one side of a 24" deep ice bin, order one model number BW4. For four bottles stored on both sides of a 24" deep ice bin, order a quantity of two BW4.



BW3  
(Positioned Left)

BW3  
(Positioned Right)

MODEL	DESCRIPTION	LIST	WEIGHT
BW3	3 bottle well for 19" deep ice bin	\$73	4#
BW3-2	2 - 3 bottle wells for 19" deep ice bin	\$146	8#
BW3-N	3 bottle well with notch for IB-38x24 ice bin	\$112	4#
BW4	4 bottle well for 24" deep ice bin	\$140	5#
BW4-2	2 - 4 bottle wells for 24" deep ice bin	\$280	10#

## Bottle Racks

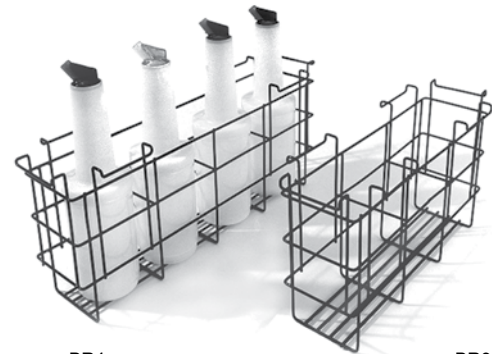
Pricing effective June 1, 2022

### BR3 AND BR4 PRODUCT INFORMATION

(see BR Spec Sheet for complete details)

BR3 and BR4 bottle racks are vinyl-coated wire racks that are placed in an ice bin to hold ice-chilled mix-ingredient pour and store bottles. There are two sizes of wire racks: 3 bottle for 19" deep ice bins and four bottle for 24" deep ice bins.

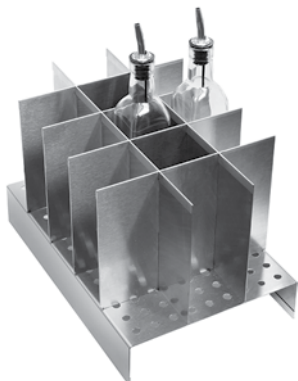
The BR3 and BR4 are intended for use with smaller ice bins, where the sole purpose of the ice bin is to provide insulated storage for pour and store bottles. Bottle racks are most often used with 6" or 12" wide ice bins, which hold one or two racks, respectively. For example, an IBA-6 ice bin holds one BR3, while an IBA-12 ice bin holds two BR3.



BR4  
(Bottles not included)

BR3

MODEL	DESCRIPTION	LIST	WEIGHT
BR3	3 bottle rack for 19" deep ice bin	\$70	3#
BR4	4 bottle rack for 24" deep ice bin	\$86	4#



BRM15  
(Bottles not included)

### BRM15 PRODUCT INFORMATION

(see BRM Spec Sheet for complete details)

The BRM15 stainless steel mixology bottle rack fits into an IBA-12 model ice bin or the bottle well of a CBA model combo ice bin to provide ice-chilled storage for 15 elixir bottles. NOTE: Recommend Tablecraft 916 (16 oz.) or 9085 (8.5 oz.) olive oil bottles.

MODEL	DESCRIPTION	LIST	WEIGHT
BRM15	Mixology bottle rack, 15 bottle, 3" by 3" openings	\$359	3#



SSR-24

Locking covers for Single Speed Rails include built-in storage hangers when ordered with original equipment

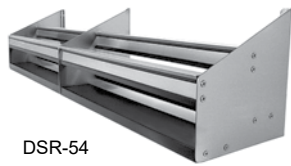


### SINGLE SPEED RAILS

MODEL	LIST	LENGTH	WEIGHT
SSR-12	\$239	12"	4#
SSR-13 to 18	\$263	13" to 18"	6#
SSR-19 to 24	\$288	19" to 24"	7#
SSR-25 to 30	\$312	25" to 30"	10#
SSR-31 to 36	\$335	31" to 36"	12#
SSR-37 to 42	\$359	37" to 42"	18#
SSR-43 to 48	\$385	43" to 48"	22#
SSR-49 to 54	\$562	49" to 54"	25#
SSR-55 to 60	\$588	55" to 60"	28#
SSR-61 to 66	\$613	61" to 66"	32#
SSR-67 to 72	\$636	67" to 72"	35#
SSR-73 to 78	\$662	73" to 78"	38#
SSR-79 to 84	\$687	79" to 84"	42#

### SINGLE SPEED RAIL LOCKING COVERS

MODEL	LIST	LENGTH	WEIGHT
SSRC-12	\$316	12"	7#
SSRC-13 to 18	\$341	13" to 18"	9#
SSRC-19 to 24	\$365	19" to 24"	11#
SSRC-25 to 30	\$394	25" to 30"	13#
SSRC-31 to 36	\$413	31" to 36"	16#
SSRC-37 to 42	\$437	37" to 42"	18#
SSRC-43 to 48	\$462	43" to 48"	21#



DSR-54



DSR-24

### DOUBLE SPEED RAIL LOCKING COVERS

MODEL	LIST	LENGTH	WEIGHT
DSRC-12	\$632	12"	14#
DSRC-13 to 18	\$682	13" to 18"	18#
DSRC-19 to 24	\$730	19" to 24"	22#
DSRC-25 to 30	\$788	25" to 30"	26#
DSRC-31 to 36	\$826	31" to 36"	32#
DSRC-37 to 42	\$874	37" to 42"	36#
DSRC-43 to 48	\$924	43" to 48"	42#

### DOUBLE SPEED RAILS

MODEL	LIST	LENGTH	WEIGHT
DSR-12	\$475	12"	8#
DSR-13 to 18	\$521	13" to 18"	12#
DSR-19 to 24	\$562	19" to 24"	14#
DSR-25 to 30	\$610	25" to 30"	20#
DSR-31 to 36	\$657	31" to 36"	24#
DSR-37 to 42	\$705	37" to 42"	36#
DSR-43 to 48	\$759	43" to 48"	44#
DSR-49 to 54	\$1,012	49" to 54"	50#
DSR-55 to 60	\$1,048	55" to 60"	56#
DSR-61 to 66	\$1,105	61" to 66"	64#
DSR-67 to 72	\$1,151	67" to 72"	70#
DSR-73 to 78	\$1,198	73" to 78"	76#
DSR-79 to 84	\$1,244	79" to 84"	84#

### PRODUCT INFORMATION

(see SSR, CSR, and DSR Spec Sheets for complete details)

#### STANDARD FEATURES

- All stainless steel construction
- Open channel-and-rail design for easy cleaning and better view of bottles
- PVC sound deadening covers
- Locking covers for Single Speed Rails include built-in storage hangers when ordered with original equipment
- Each rail includes a clear lift-off liquor-identification cover
- Radius corners for easy cleaning

### CLIP-ON SINGLE SPEED RAILS



CSR-24-SR

MODEL	DESCRIPTION	LIST	WEIGHT
CSR-12-SR	12" Clip-on single to existing single	\$279	4#
CSR-18-SR	18" Clip-on single to existing single	\$304	6#
CSR-24-SR	24" Clip-on single to existing single	\$329	7#
CSR-30-SR	30" Clip-on single to existing single	\$351	10#
CSR-36-SR	36" Clip-on single to existing single	\$376	12#
CSR-42-SR	42" Clip-on single to existing single	\$401	15#
CSR-48-SR	48" Clip-on single to existing single	\$426	18#

**All faucets are certified low lead compliant**

**Bar Fabrication - Main Line**



BSB-18



DBSB-18



BSA-18-RF



DBSA-12-RF

**Rinser faucet installation notes:**

- Important: Unit must be installed in conformance with applicable federal, state, and local plumbing codes, including adequate backflow when required.
- Must install backflow prevention device conforming to ANSI/ASSE 1022 or ANSI/ASSE 1024 to meet plumbing code (not included).
- Install in-line water regulator (included).
- A separate shut-off valve is recommended (not included).

Blender stations cannot have a speed rail mounted to them. Since speed rails are so common on underbar, blender stations come in 24" and 29" depths and are designed to align with underbar that has a speed rail.

**⚠WARNING:** The plastic wet waste strainer included with this product can expose you to chemicals including Bisphenol A (BPA), which is known to the State of California to cause birth defects or other reproductive harm. For more information, go to [www.P65Warnings.ca.gov](http://www.P65Warnings.ca.gov). **Part #03000483**  
**Warning applies to State of California only.**

Blender Stations come standard with a sink, faucet, and wet waste strainer. Drainboard Blender Stations come standard with a drainboard work surface consisting of a drain pan with separate removable perforated insert. The integral blender shelf is 9" deep on the 24" deep models and 10" deep on 29" models. The shelf stores the blender at the 19" high level. A grommeted cord access hole is provided in the front skirt.

**24" DEEP BLENDER STATIONS**

(Aligns with 19" deep underbar that has a single speed rail)

MODEL	LIST	LENGTH	WEIGHT
BSA-12	\$2,216	12"	48#
BSA-14	\$2,191	14"	50#
BSA-18L †*	\$2,281	18"	55#
BSA-18R †*	\$2,281	18"	55#

† Denotes faucet location as Left or Right

**24" DEEP BLENDER STATION WITH RINSER FAUCET**

(Aligns with 19" deep underbar that has a single speed rail)

MODEL	LIST	LENGTH	WEIGHT
BSA-18-RF*	\$2,894	18"	60#

**29" DEEP BLENDER STATIONS**

(Aligns with 24" deep underbar that has a single speed rail or 19" deep underbar that has a double speed rail)

MODEL	LIST	LENGTH	WEIGHT
BSB-12*	\$2,366	12"	53#
BSB-14*	\$2,438	14"	55#
BSB-18*	\$2,566	18"	60#

**24" DEEP DRAINBOARD BLENDER STATIONS**

(Aligns with 19" deep underbar that has a single speed rail)

MODEL	LIST	LENGTH	WEIGHT
DBSA-12*	\$1,353	12"	40#
DBSA-14*	\$1,407	14"	42#
DBSA-18*	\$1,511	18"	45#
DBSA-24*	\$1,667	24"	55#

**24" DEEP DRAINBOARD BLENDER STATIONS WITH RINSER FAUCET**

(Aligns with 19" deep underbar that has a single speed rail)

MODEL	LIST	LENGTH	WEIGHT
DBSA-12-RF*	\$1,873	12"	45#
DBSA-14-RF*	\$1,930	14"	47#
DBSA-18-RF*	\$2,042	18"	50#

**29" DEEP DRAINBOARD BLENDER STATIONS**

(Aligns with 24" deep underbar that has a single speed rail or 19" deep underbar that has a double speed rail)

MODEL	LIST	LENGTH	WEIGHT
DBSB-12*	\$1,431	12"	45#
DBSB-14*	\$1,487	14"	47#
DBSB-18*	\$1,605	18"	50#

\*NOTE: These items are manufactured to order and are not returnable

**PRODUCT INFORMATION**

(see BS and DBS Spec Sheets for complete details)

**STANDARD FEATURES**

- All stainless steel construction
- Adjustable stainless steel bullet feet
- Sink models feature a 9-1/4" by 11-1/2" by 6" deep sink bowl, a lift-out plastic perforated sink strainer and a hot and cold water faucet
- Drainboard models feature drainboard work surface consisting of drain pan with separate removable perforated insert
- "-RF" models include a rinsing faucet for rinsing blender cups
- 24" deep models have a 9" deep shelf
- 29" deep models have a 10" deep shelf
- Junction box for duplex outlet mounted underneath blender shelf (outlet not included)

Optional foot-operated faucets



- FOF-B**
- BSA-12
  - BSA-18-RF
  - BSB-12

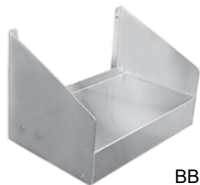
- FOF-D**
- BSA-14
  - BSA-18-L
  - BSA-18-R
  - BSB-14
  - BSB-18

**CONFIGURABLE OPTIONS**

<u>MODEL</u>	<u>DESCRIPTION</u>	<u>LIST</u>	<u>WT</u>
LS15-F	15" D left side splash (BSA models)	\$171	4#
RS15-F	15" D right side splash (BSA models)	\$171	4#
LS15-D	15" D left side splash (DBSA models)	\$171	4#
RS15-D	15" D right side splash (DBSA models)	\$171	4#
LSA-D	19" deep left side splash (BSB & DBSB models)	\$171	4#
RSA-D	19" deep right side splash (BSB & DBSB models)	\$171	4#
LSRF	Left side splash (-RF models)	\$171	4#
RSRF	Right side splash (-RF models)	\$171	4#
FOF-B	Convert to foot-operated backsplash faucet for BSA-12, BSA-18-RF, and BSB-12 models	\$633	3#
FOF-D	Convert to foot-operated deck faucet for BSA-14, BSA-18L, BSA-18R, BSB-14, and BSB-18 models	\$483	3#

**ACCESSORY**

<u>MODEL</u>	<u>DESCRIPTION</u>	<u>LIST</u>	<u>WT</u>
TR	Towel ring	\$23	1#



BBS-12

Additional blender shelf space can be added to standard underbar units by specifying a Bolt-on Blender Shelf. Bolt-on Blender Shelves are 10" deep and include a junction box for duplex outlet (outlet not included) mounted below the shelf.

**BOLT-ON BLENDER SHELVES**

<u>MODEL</u>	<u>DESCRIPTION</u>	<u>LIST</u>	<u>WT</u>
BBS-8	8" bolt-on blender shelf	\$328	8#
BBS-12	12" bolt-on blender shelf	\$344	12#
BBS-14	14" bolt-on blender shelf	\$351	14#
BBS-16	16" bolt-on blender shelf	\$364	16#
BBS-18	18" bolt-on blender shelf	\$374	18#
BBS-24	24" bolt-on blender shelf	\$405	28#
BBS-30	30" bolt-on blender shelf	\$430	36#



TR

Bar Fabrication - Main Line





DBA-18 with optional SSR-18

The work surface of a Glastender drainboard consists of a 1" deep sloped stainless steel drain pan with a separate removable perforated insert. The 1" high perforated insert allows air circulation beneath the glassware, and since the pan is sloped and not the insert, all glassware is stored on a level plane.

NOTE: Drainboards are also available with a flat stainless steel filler board top in lieu of the drainboard top. Substitute an 'F' for the 'D' in the model number when ordering and use the same price. Filler boards are manufactured to order and are not returnable.

**PRODUCT INFORMATION**

(see DB Spec Sheet for complete details)

**STANDARD FEATURES**

- All stainless steel construction
- Adjustable stainless steel bullet feet
- 24" deep models provide a larger drainboard storage area, not just a deck extension on the back of the 19" deep model
- One-piece seamless top, front rail and backsplash
- Work surface consists of a drain pan and separate perforated insert for better air circulation
- All storage is on level plane

**19" DEEP DRAINBOARDS**

MODEL	LIST	LENGTH	WEIGHT
DBA-12	\$1,099	12"	45#
DBA-18	\$1,221	18"	50#
DBA-24	\$1,352	24"	55#
DBA-30	\$1,483	30"	60#
DBA-36	\$1,596	36"	65#
DBA-42*	\$1,715	42"	70#
DBA-48*	\$1,837	48"	75#

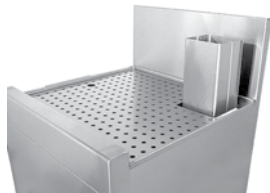
**24" DEEP DRAINBOARDS**

MODEL	LIST	LENGTH	WEIGHT
DBB-12	\$1,194	12"	50#
DBB-18	\$1,345	18"	55#
DBB-24	\$1,493	24"	60#
DBB-30	\$1,644	30"	65#
DBB-36*	\$1,774	36"	70#
DBB-42*	\$1,916	42"	80#
DBB-48*	\$2,061	48"	85#

\*NOTE: These items are manufactured to order and are not returnable

**ACCESSORIES**

MODEL	DESCRIPTION	LIST	WEIGHT
SSR-12	12" single speed rail	\$239	4#
SSR-18	18" single speed rail	\$263	6#
SSR-24	24" single speed rail	\$288	7#
SSR-30	30" single speed rail	\$312	10#
SSR-36	36" single speed rail	\$335	12#
SSR-42	42" single speed rail	\$359	18#
SSR-48	48" single speed rail	\$385	22#
DSR-12	12" double speed rail	\$475	8#
DSR-18	18" double speed rail	\$521	12#
DSR-24	24" double speed rail	\$562	14#
DSR-30	30" double speed rail	\$610	20#
DSR-36	36" double speed rail	\$657	24#
DSR-42	42" double speed rail	\$705	36#
DSR-48	48" double speed rail	\$759	44#
TC †	4" X 4" x 6-1/2" H tubing chase	\$277	5#



Tubing Chase accessory added to a drainboard at the factory



DSR-24



SSR-24

† NOTE: Drainboard units with a TC accessory added are manufactured to order and are not returnable

Recessed drainboards have the same drain pan with separate perforated insert design as normal drainboards, except the work surface has been lowered to allow stacking of glassware. A perforated shelf is placed on top of the first level of glassware and a second layer of glassware is stacked on top of it. Recessed drainboards work best when only one style of glassware is being stored.

Recessed drainboards cannot have a speed rail mounted to them. Since speed rails are so common on underbar, recessed drainboards have been designed to align with underbar that has a speed rail. The four different recessed drainboard styles are based on the four different equipment-mounting situations.



RDBA-18S



RDBB-18 with DHSB-12 attached left

**24" DEEP RECESSED DRAINBOARDS**

(Aligns with 19" deep underbar that has a single speed rail)

MODEL	LIST	LENGTH	WEIGHT
RDBA-12S	\$1,308	12"	50#
RDBA-18S	\$1,476	18"	55#
RDBA-24S	\$1,659	24"	60#
RDBA-30S	\$1,827	30"	65#

**24" DEEP RECESSED DRAINBOARDS**

(Aligns with 24" deep underbar that has no speed rail)

MODEL	LIST	LENGTH	WEIGHT
RDBB-12	\$1,308	12"	50#
RDBB-18	\$1,476	18"	55#
RDBB-24	\$1,659	24"	60#
RDBB-30	\$1,827	30"	65#



RDBA-18D

\*NOTE: Recessed Drainboards are manufactured to order and are not returnable



RDBB-18S

**29" DEEP RECESSED DRAINBOARDS\***

(Aligns with 19" deep underbar that has a double speed rail)

MODEL	LIST	LENGTH	WEIGHT
RDBA-12D	\$1,450	12"	60#
RDBA-18D	\$1,640	18"	65#
RDBA-24D	\$1,865	24"	70#
RDBA-30D	\$2,055	30"	75#

**29" DEEP RECESSED DRAINBOARDS\***

(Aligns with 24" deep underbar that has a single speed rail)

MODEL	LIST	LENGTH	WEIGHT
RDBB-12S	\$1,450	12"	60#
RDBB-18S	\$1,640	18"	65#
RDBB-24S	\$1,865	24"	70#
RDBB-30S	\$2,055	30"	75#

**PRODUCT INFORMATION**

(see IFC and OFC Spec Sheets for complete details)

Corner drainboards are used when an underbar line-up turns, either 90° or less. The direction of the turn may be toward or away from the bartender. A turn that is toward the bartender requires an inside corner. A turn that is away from the bartender requires an outside corner. Corner drainboards are constructed using the same drain pan with separate removable perforated-insert design as all Glastender drainboards.

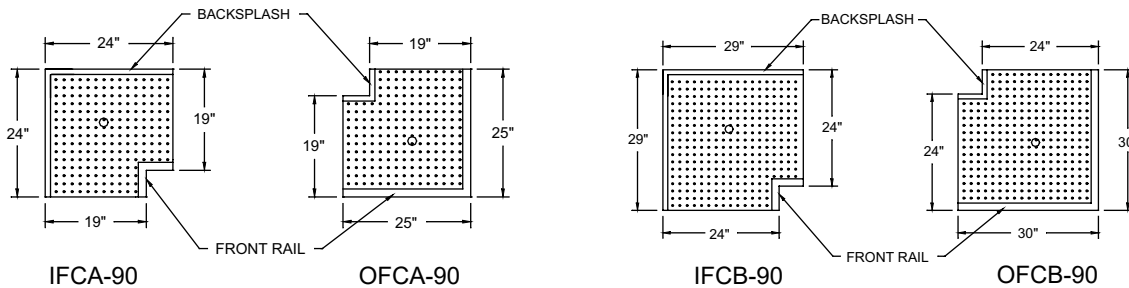


**90° FULL CORNER DRAINBOARDS**

MODEL	LIST	DEPTH	TURN	WEIGHT
IFCA-90*	\$1,328	19"	Inside	50#
OFCA-90*	\$1,328	19"	Outside	50#
IFCB-90*	\$1,512	24"	Inside	60#
OFCE-90*	\$1,512	24"	Outside	60#

Angular 90° Full Corner Drainboards are for 90° inside or outside turns. They are designed to align with 19" or 24" deep underbar and they come with a front rail to match the front rail adjacent equipment.

**Sample 90° Full Corner Drainboard Plan Views**



**DIMENSIONAL FULL CORNER DRAINBOARDS**

MODEL	LIST	LEFT	RIGHT	WEIGHT
IFC-19/19*	\$1,094	19"	19"	40#
IFC-19/24L	\$1,220	24"	19"	45#
IFC-19/24R	\$1,220	19"	24"	45#
IFC-19/30L*	\$1,338	30"	19"	50#
IFC-19/30R*	\$1,338	19"	30"	50#
IFC-24/24	\$1,328	24"	24"	50#
IFC-24/30L	\$1,448	30"	24"	60#
IFC-24/30R	\$1,448	24"	30"	60#

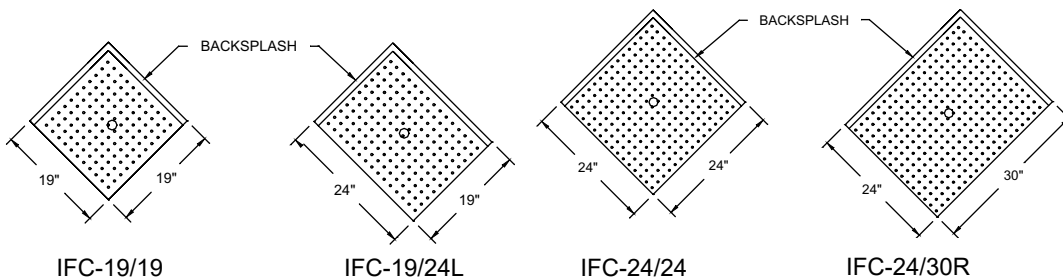
Dimensional Full Corner Drainboards are for 90° inside turns only. The dimensions of the corner are specified in the model number. If the dimensions of each side are not the same, the longest dimension is specified second along with its location. See sample drawings.

\*NOTE: These items are manufactured to order and are not returnable



IFC-24/24

**Sample Dimensional Full Corner Drainboard Plan Views**

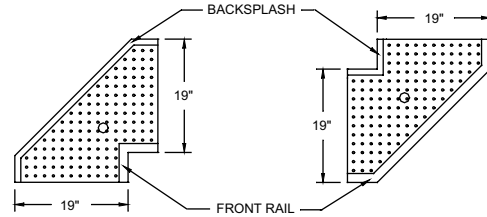


Clip Corner Drainboards are for 90° and smaller inside and outside turns. They are designed to align with 19" or 24" deep underbar and they come with a front rail to match adjacent equipment. The difference between 90° Clip Corners and 90° Full Corners is that the rear has a larger chamfer. See sample drawings.



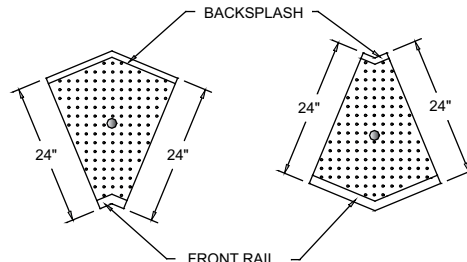
ICCA-45

Sample Dimensional Full Corner Drainboard Plan Views



ICCA-90  
(Plan View)

OCCA-90  
(Plan View)



ICCB-45  
(Plan View)

OCCB-45  
(Plan View)

**19" DEEP CLIP CORNER DRAINBOARDS\***

MODEL	LIST	DEGREE	TURN	WEIGHT
ICCA-90	\$1,328	90°	Inside	50#
OCCA-90	\$1,328	90°	Outside	50#
ICCA-75	\$1,197	75°	Inside	45#
OCCA-75	\$1,197	75°	Outside	45#
ICCA-60	\$1,076	60°	Inside	40#
OCCA-60	\$1,076	60°	Outside	40#
ICCA-45	\$969	45°	Inside	36#
OCCA-45	\$969	45°	Outside	36#
ICCA-30	\$873	30°	Inside	33#
OCCA-30	\$873	30°	Outside	33#
ICCA-15	\$784	15°	Inside	30#
OCCA-15	\$784	15°	Outside	30#

**24" DEEP CLIP CORNER DRAINBOARDS**

MODEL	LIST	DEGREE	TURN	WEIGHT
ICCB-90*	\$1,512	90°	Inside	55#
OCCB-90*	\$1,512	90°	Outside	55#
ICCB-75*	\$1,361	75°	Inside	50#
OCCB-75*	\$1,361	75°	Outside	50#
ICCB-60*	\$1,223	60°	Inside	45#
OCCB-60*	\$1,223	60°	Outside	45#
ICCB-45	\$1,099	45°	Inside	40#
OCCB-45*	\$1,099	45°	Outside	40#
ICCB-30	\$993	30°	Inside	37#
OCCB-30*	\$993	30°	Outside	37#
ICCB-15	\$893	15°	Inside	35#
OCCB-15*	\$893	15°	Outside	35#

\*NOTE: These items are manufactured to order and are not returnable



IFC-24/24 with CB-LEG shown with FSB-48 attached left

**Does your Corner Drainboard need a full side and leg set?**

Corner drainboards are designed to mount between two pieces of underbar. However, corner drainboards can be used to mount between any two stable vertical surfaces. Corners should not be mounted to objects that are mobile or on casters. Because they are intended to mount between two vertical surfaces, corner drainboards do not come free standing with finished sides and leg sets. If one side of the corner does not have a vertical surface on which to mount, then a side and leg set must be ordered as an accessory.

**PRODUCT INFORMATION**

(see ICC and OCC Spec Sheets for complete details)

**STANDARD FEATURES**

- All stainless steel construction
- 36 different standard models to choose from
- Work surface consists of a drain pan and separate perforated insert for better air circulation
- All storage is on level plane

**FULL SIDE AND LEG SET ACCESSORIES**

MODEL	LIST	DEPTH	WEIGHT
CA-LEG	\$288	19"	6#
CB-LEG	\$321	24"	7#

Bar Fabrication - Main Line

Glassracks are designed to hold three racks of glassware: one on the bottom shelf and one on each of the two adjustable glass rack slides. The 24" wide models hold 20" by 20" racks and the 18" wide models hold the 16" round racks used with the Glastender GT-18 glasswashers.

**PRODUCT INFORMATION**

(see GR Spec Sheet for complete details)

**STANDARD FEATURES**

- All stainless steel construction
- Adjustable stainless steel bullet feet
- Full bottom shelf with drain
- Two adjustable glass rack slides
- Storage for three (3) glassracks

\*NOTE: Glassracks are manufactured to order and are not returnable



GRB-24

**19" DEEP GLASSRACKS**

MODEL	LIST	LENGTH	WEIGHT
GRA-18	\$1,754	18"	60#
GRA-24	\$1,943	24"	70#

**24" DEEP GLASSRACKS**

MODEL	LIST	LENGTH	WEIGHT
GRB-18	\$1,961	18"	70#
GRB-24	\$2,160	24"	80#

Bar Fabrication - Main Line

**Drainboard Glassracks**

Pricing effective June 1, 2022

Drainboard Glassracks have a stationary or roll-out bottom shelf, adjustable or roll-out intermediate shelf, and drainboard work surface. All models are 24" deep. The 24" wide models hold 20" by 20" racks and the 18" wide model holds the 16" round racks used with the Glastender GT-18 glasswashers. Since drainboard glassrack shelves are solid, they can be used for non-glassrack storage also. (If a 19" deep drainboard glassrack is required, please see 19" deep drainboard cabinets less doors on page 34.)

**PRODUCT INFORMATION**

(see DBGR Spec Sheet for complete details)

**STANDARD FEATURES**

- All stainless steel construction
- Adjustable stainless steel bullet feet
- One-piece seamless top, front rail and backsplash
- DBGR-18 and DBGR-24 have bottom shelf and one adjustable intermediate shelf
- DBGR-24-RS has roll-out bottom shelf and one roll-out intermediate shelf (intermediate shelf is not adjustable)
- Solid shelves are also usable for non-glassrack storage
- Work surface consists of a drainboard top with drain pan and separate perforated insert for better air circulation
- Intermediate shelf is still removable after unit is plumbed
- Smooth interior walls for easy cleaning and a finished appearance



DBGR-24-RS  
(Glassrack not included)



DBGR-18

**24" DEEP DRAINBOARD GLASSRACKS**

MODEL	LIST	LENGTH	WEIGHT
DBGR-18	\$2,147	18"	80#
DBGR-24	\$2,373	24"	90#
DBGR-24-RS	\$3,472	24"	100#



DBCB-18

Drainboard Cabinets have a bottom shelf, adjustable intermediate shelf, and drainboard work surface. They are available with or without doors. The models with doors come with a lock standard. The 12", 18", and 24" wide models have one door and all other models have two doors.

NOTE: Drainboard Cabinets are also available with a flat stainless steel filler board top in lieu of the drainboard top. Substitute an 'F' for the 'D' in the model number when ordering and use the same price. Filler boards cabinets are manufactured to order and are not returnable.

**PRODUCT INFORMATION**

(see DBC Spec Sheet for complete details)

**STANDARD FEATURES**

- All stainless steel construction
- Adjustable stainless steel bullet feet
- One-piece seamless top, front rail and backsplash
- One bottom shelf and one adjustable intermediate shelf
- Shelves are removable and feature radius corners for easy cleaning
- Available with or without doors
- Doors feature integral handle
- Lock standard on models with doors
- Work surface consists of a drainboard top with drain pan and separate perforated insert for better air circulation
- Floor and intermediate shelf are still removable after unit is plumbed
- Smooth interior walls for easy cleaning and a finished appearance

Bar Fabrication - Main Line

**19" DEEP DRAINBOARD CABINETS**

MODEL	LIST	LENGTH	WEIGHT
DBCA-12*	\$2,278	12"	75#
DBCA-18*	\$2,568	18"	85#
DBCA-24*	\$2,860	24"	95#
DBCA-30*	\$3,215	30"	105#
DBCA-36*	\$3,506	36"	115#
DBCA-42*	\$3,798	42"	125#
DBCA-48*	\$4,091	48"	135#

**24" DEEP DRAINBOARD CABINETS**

MODEL	LIST	LENGTH	WEIGHT
DBCB-12	\$2,315	12"	85#
DBCB-18	\$2,622	18"	95#
DBCB-24	\$2,926	24"	105#
DBCB-30*	\$3,304	30"	115#
DBCB-36*	\$3,609	36"	125#
DBCB-42*	\$3,914	42"	135#
DBCB-48*	\$4,223	48"	145#

**19" DEEP DRAINBOARD CABINETS LESS DOORS**

MODEL	LIST	LENGTH	WEIGHT
DBCA-12-LD*	\$1,855	12"	60#
DBCA-18-LD*	\$2,061	18"	70#
DBCA-24-LD*	\$2,270	24"	80#
DBCA-30-LD*	\$2,478	30"	90#
DBCA-36-LD*	\$2,685	36"	100#
DBCA-42-LD*	\$2,894	42"	110#
DBCA-48-LD*	\$3,104	48"	120#

**24" DEEP DRAINBOARD CABINETS LESS DOORS**

MODEL	LIST	LENGTH	WEIGHT
DBCB-12-LD	\$1,920	12"	70#
DBCB-18-LD	\$2,147	18"	80#
DBCB-24-LD	\$2,373	24"	90#
DBCB-30-LD*	\$2,595	30"	100#
DBCB-36-LD*	\$2,820	36"	110#
DBCB-42-LD*	\$3,043	42"	120#
DBCB-48-LD*	\$3,272	48"	130#

\*NOTE: These items are manufactured to order and are not returnable



DBHA-18-LD

**19" DEEP DRAINBOARD HALF CABINETS**

MODEL	LIST	DOOR	LENGTH	WEIGHT
DBHA-12	\$1,596	Yes	12"	50#
DBHA-18	\$1,764	Yes	18"	55#
DBHA-24	\$1,969	Yes	24"	60#
DBHA-12-LD	\$1,367	No	12"	40#
DBHA-18-LD	\$1,523	No	18"	45#
DBHA-24-LD	\$1,701	No	24"	50#

**24" DEEP DRAINBOARD HALF CABINETS**

MODEL	LIST	DOOR	LENGTH	WEIGHT
DBHB-12	\$1,785	Yes	12"	60#
DBHB-18	\$1,961	Yes	18"	65#
DBHB-24	\$2,179	Yes	24"	70#
DBHB-12-LD	\$1,545	No	12"	50#
DBHB-18-LD	\$1,701	No	18"	55#
DBHB-24-LD	\$1,903	No	24"	60#

Bar Fabrication - Main Line

\*NOTE: Drainboard Cabinets are manufactured to order and are not returnable

**PRODUCT INFORMATION**

(see DBH Spec Sheet for complete details)

**STANDARD FEATURES:** All stainless steel construction • Adjustable stainless steel bullet feet • One-piece seamless top, front rail and backsplash • Available with or without a door • Door features integral handle • Lock standard on models with a door • Work surface consists of a drainboard top with drain pan and separate perforated insert for better air circulation • Floor is still removable after unit is plumbed and includes radius corners for easy cleaning • Smooth interior walls for easy cleaning and a finished appearance

Drainboard Half Cabinets increase the available storage area yet are still on 16" legs allowing room for cleaning underneath. Drainboard Half Cabinets have a bottom shelf and drainboard work surface. They are available with or without a door (use suffix '-LD' for models without a door). The models with a door include a lock standard.

NOTE: Drainboard Half Cabinets are also available with a flat stainless steel filler board top in lieu of the drainboard top. Substitute an 'F' for the 'D' in the model number when ordering and use the same price.



ACB-18 (Shown without attached equipment)

## PRODUCT INFORMATION

(see ACB Spec Sheet for complete details)

The Add-On Cabinet Base is designed to be installed beneath standard underbar equipment to provide additional storage • It can also enhance the look of your bar by eliminating the need to store loose items on the floor and making plumbing less visible • The Add-On Cabinet Base features a stainless steel floor that does not go all the way to the back of the cabinet, which provides an access opening for plumbing • The removable stainless steel floor has radius corners for easy cleaning • The interior walls are dual panel constructed for an easy to clean, smooth interior

\*NOTE: Add-On Cabinet Bases are manufactured to order and are not returnable

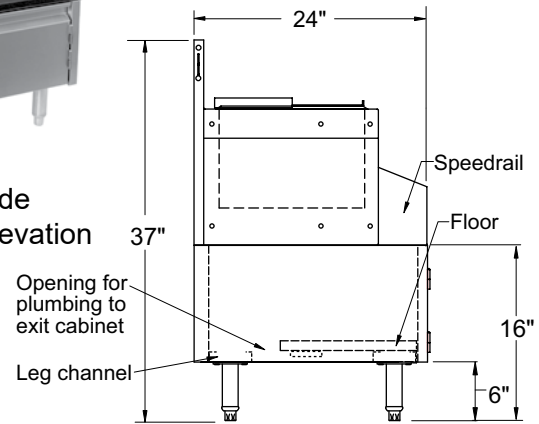
## ADD-ON CABINET BASES

MODEL	LIST	DOOR	LENGTH	WEIGHT
ACB-12	\$1,133	One	12"	20#
ACB-14	\$1,127	One	14"	22#
ACB-16	\$1,154	One	16"	24#
ACB-18	\$1,182	One	18"	25#
ACB-20	\$1,208	One	20"	27#
ACB-22	\$1,235	One	22"	29#
ACB-24	\$1,447	Two	24"	30#
ACB-26	\$1,449	Two	26"	32#
ACB-28	\$1,476	Two	28"	32#
ACB-30	\$1,504	Two	30"	35#
ACB-32	\$1,531	Two	32"	37#
ACB-34	\$1,558	Two	34"	37#
ACB-36	\$1,586	Two	36"	40#
ACB-38	\$1,612	Two	38"	42#
ACB-40	\$1,654	Two	40"	42#
ACB-42	\$1,683	Two	42"	45#
ACB-44	\$1,710	Two	44"	47#
ACB-46	\$1,736	Two	46"	47#
ACB-48	\$1,764	Two	48"	50#



ACB-18 with LDA-18S attached

Side Elevation



## POS Cabinets

## PRODUCT INFORMATION

(see PCB Spec Sheet for complete details)

Available in 18" and 24" lengths, POS Cabinets have a 26" high work surface to accommodate a cash drawer and POS monitor • A louvered door to ventilate the storage cabinet is standard • The work surface includes a grommeted cord access hole

### STANDARD FEATURES

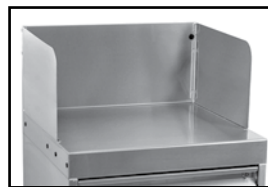
- All stainless steel construction with adjustable bullet feet
- One-piece, seamless top and backsplash
- Louvered door features integral handle
- Door lock standard
- Special 26" high work surface height to accommodate cash drawer and POS monitor
- Grommeted cord access hole in work surface
- Large access hole in back wall of unit
- Smooth interior walls for easy cleaning and a finished appearance



PCB-24

### 24" DEEP POS CABINETS

MODEL	LIST	LENGTH	WEIGHT
PCB-18	\$2,843	18"	75#
PCB-24	\$3,132	24"	85#



LSP & RSP Accessories (shown on PCB-24)

### POS CABINET ACCESSORIES\*

MODEL	DESCRIPTION	LIST	WEIGHT
LSP	Left side splash	\$171	4#
RSP	Right side splash	\$171	4#

\*NOTE: Verify cash drawer width before ordering side splash accessories



**All faucets are certified low lead compliant**

**PRODUCT INFORMATION** (see HS, DHS, SW, SW Cabinets, and FS12 Spec Sheets for complete details)

**STANDARD FEATURES:** Manufactured with total welded construction to meet NSF® standards • All stainless steel construction • One-piece seamless top and backsplash featuring 1/4" radius corners for easy cleaning • Adjustable stainless steel bullet feet • 9-1/4" by 11-1/2" by 6" deep sink bowl with hot and cold water gooseneck faucet with 2.0 GPM aerator • Faucets are standard and ship mounted • Models HSA-12-D, HSB-12-D, and HSB-12-AD feature a soap dispenser and front-skirt-mounted C-fold paper towel dispenser • Models DHSA-18, DHSB-12, and DHSB-18 feature a soap dispenser and hinged front-access door to conceal C-fold paper towel dispenser • All wet waste sink models include a lift-out perforated-plastic wet waste strainer • Soap dispenser is easily refilled from above, no need to crawl under equipment



HSA-12



HSA-12-D



HSA-12-D with LSA-D and RSA-D

Single bowl sinks are available as hand sinks and wet waste sink models. Hand sink models HSA-12, HSA-18, HSB-12, and HSB-18 feature a standard stainless steel bowl and mounted faucet.

Hand sink models HSA-12-D, HSB-12-D, and HSB-12-AD include a soap dispenser and front-skirt-mounted C-fold paper towel dispenser.

Hand sink models DHSA-18, DHSB-12, and DHSB-18 feature a soap dispenser and hinged front-access door to conceal C-fold paper towel dispenser. Paper towels are easily accessed below the door. The access door is only opened for re-loading paper towels into the dispenser.

Wet waste sink models SWA-12, SWA-18, and SWB-18 include a lift-out perforated plastic wet waste strainer.

Bar Fabrication - Main Line

**19" DEEP HAND SINKS**

MODEL	LIST	LENGTH	WEIGHT
HSA-12	\$1,903	12"	45#
HSA-18*	\$1,930	18"	50#
HSA-12-D	\$2,236	12"	50#
DHSA-18	\$2,654	18"	60#

**19" DEEP WET WASTE SINKS**

MODEL	LIST	LENGTH	WEIGHT
SWA-12	\$1,966	12"	47#
SWA-18*	\$1,993	18"	52#

**24" DEEP WET WASTE SINKS**

MODEL	LIST	LENGTH	WEIGHT
SWB-12	\$2,052	12"	52#
SWB-18*	\$2,150	18"	57#



SWB-12

**24" DEEP HAND SINKS**

MODEL	LIST	LENGTH	WEIGHT
HSB-12	\$1,989	12"	50#
HSB-18*	\$2,087	18"	55#
HSB-12-D*	\$2,334	12"	55#
HSB-12-AD	\$2,379	12"	55#
DHSB-12	\$2,623	12"	60#
DHSB-18	\$2,763	18"	70#



DHSB-12



HSB-12-AD

\*NOTE: These items are manufactured to order and are not returnable

**WARNING:** The plastic wet waste strainer included with this product can expose you to chemicals including Bisphenol A (BPA), which is known to the State of California to cause birth defects or other reproductive harm. For more information, go to [www.P65Warnings.ca.gov](http://www.P65Warnings.ca.gov). **Warning applies to State of California only.** Part #03000483

All faucets are certified low lead compliant

# Single Bowl Sinks

## 24" DEEP MULTI-PURPOSE SINKS

MODEL	LIST	LENGTH	WEIGHT
FS12	\$4,195	12"	75#
SWB-12-C	\$2,982	12"	75#
SWB-18-DW	\$3,339	18"	85#
SWB-18-DB	\$2,690	18"	65#
SWB-24L-C*	\$3,975	24"	105#
SWB-24R-C*	\$3,975	24"	105#

\*L = Sink Left, R = Sink Right

**FS12 - Patented.**  
**For more information visit:**  
<https://www.glastender.com/patents>



FS12 - The Fusion Sink is a combination hand sink and wet waste sink. The tiered unit includes an upper hand sink with faucet and soap dispenser, a lower sink with lift-out perforated plastic wet waste strainer, and side splashes. The upper sink drains into the lower sink to help melt ice. A front-flush C-fold paper towel dispenser is included in the front skirt.



SWB-12-C - Includes a sink with faucet and lift-out perforated plastic wet waste strainer and cabinet base with hinged access door for storing up to three one-gallon chemical containers.



SWB-18-DB - Tiered unit includes an upper drainboard deck for storing glassware and a lower sink with a faucet and lift-out perforated plastic wet waste strainer.

SWB-18-DW - Includes a sink with faucet and lift-out perforated plastic wet waste strainer, dry waste chute and cabinet base with hinged access door for storing a trash receptacle. A stainless (DWC) or plastic (03005391) trash receptacle is offered as a separate accessory.



SWB-24L-C - Dual purpose work surface is half drainboard and half sink. Includes a faucet and lift-out perforated plastic wet waste strainer. The open-front cabinet base includes a center divider wall for storing up to three one-gallon chemical containers on one side and dry storage on the other.

◆NOTE: TD-C Paper towel dispenser cannot be mounted to models:  
 • SWB-12-C  
 • SWB-18-DW  
 • SWB-18-DB  
 • SWB-24L-C  
 • SWB-24R-C

†NOTE: Speed rails and dry waste rails cannot be mounted to models:  
 • HSA-12-D • SWB-12-C  
 • DHSA-18 • SWB-18-DW  
 • HSB-12-D • SWB-18-DB  
 • HSB-12-AD • SWB-24L-C  
 • DHSB-12 • SWB-24R-C  
 • DHSB-18

## CONFIGURABLE OPTIONS

MODEL	DESCRIPTION	LIST	WEIGHT
LSA-D	19" deep left side splash	\$171	4#
RSA-D	19" deep right side splash	\$171	4#
LSB-D	24" deep left side splash	\$200	5#
RSB-D	24" deep right side splash	\$200	5#
FOF-B	Convert to foot-operated backsplash faucet for HSA-12, HSA-12-D, HSB-12-AD, FS12, SWA-12 models	\$633	3#
FOF-D	Convert to foot-operated deck faucet for HSA-18, HSB-12, HSB-12-D, HSB-18, DHSA-18, DHSB-12, DHSB-18, SWB-12-C, SWB-18-DW, SWB-18-DB, SWB-24L-C, SWB-24R-C, SWA-18, SWB-12, SWB-18 models	\$483	3#
KOF-D	Convert to knee-operated deck faucet for HSB-12, HSB-18, SWB-12, and SWB-18	\$499	3#

## ACCESSORIES

MODEL	DESCRIPTION	LIST	WEIGHT
SSR-12†	12" single speed rail	\$239	4#
SSR-18†	18" single speed rail	\$263	6#
DSR-12†	12" double speed rail	\$475	8#
DSR-18†	18" double speed rail	\$521	12#
03000483	Wet waste sink strainer	\$63	2#
TR	Towel ring	\$23	1#
DWR-12†	Dry waste rail	\$251	6#
03000511	Wrist handles (set of two)	\$54	2#
DWC	Trash receptacle, stainless steel	\$561	10#
03005491	Trash receptacle, 28½ qt, gray plastic	\$80	5#
TD-C◆	Paper towel dispenser, C-fold	\$307	5#
03001873	Liquid soap dispenser, hand-pump	\$88	1#
03014739	Aerator, faucet, 1.5 GPM	\$16	1#
03014738	Aerator, faucet, 0.5 GPM	\$16	1#
03014737	Aerator, faucet, 0.2 GPM	\$16	1#



**⚠WARNING:** The plastic wet waste strainer included with this product can expose you to chemicals including Bisphenol A (BPA), which is known to the State of California to cause birth defects or other reproductive harm. For more information, go to [www.P65Warnings.ca.gov](http://www.P65Warnings.ca.gov).  
**Warning applies to State of California only.** Part #03000483

Bar Fabrication - Main Line

All faucets are certified low lead compliant

## PRODUCT INFORMATION

(see DS, TS, and FS Spec Sheets for complete details)

- Compartment Sinks come in three different varieties: two, three, and four compartment
- They feature an exclusive one-piece 18 gauge stainless steel top that is seamless from the front rail all the way through the backsplash
- Each variety is offered with or without built-in drainboards on one or both sides of the sink compartment
- Drainboards, where included, are a seamless and integral part of the work surface
- The seamless welded bowls are 16 gauge fabricated stainless steel
- An 'L' or 'R' suffix in the model number designates the location of the sink compartment as left or right when there is only one drainboard

## STANDARD FEATURES

- All stainless steel construction and stainless steel bullet feet
- One-piece seamless top, front rail and backsplash
- 16 gauge stainless steel fabricated sink bowls
- 19" deep models have a backsplash mounted faucet
- Integral drainboards have lift-out stainless steel perforated insert
- Perforated stainless steel inserts are available to cover sinks when not in use
- Includes one overflow tube per bowl



\*NOTE: These Compartment Sink Units are manufactured to order and are not returnable

## TWO COMPARTMENT SINKS WITH STAINLESS SINK SECTION

19" DEEP		24" DEEP		OVERALL LENGTH	SINK LOCATION	DRAINBOARD LENGTH	WEIGHT
MODEL	LIST	MODEL	LIST				
DSA-24-S*	\$3,377	DSB-24-S*	\$3,370	24"	Center	N/A	90#
DSA-36L-S*	\$3,678	DSB-36L-S*	\$3,704	36"	Left	12"	100#
DSA-36R-S*	\$3,678	DSB-36R-S*	\$3,704	36"	Right	12"	100#
DSA-48-S*	\$3,939	DSB-48-S*	\$4,061	48"	Center	2 @ 12"	110#

## THREE COMPARTMENT SINKS WITH STAINLESS SINK SECTION

19" DEEP		24" DEEP		OVERALL LENGTH	SINK LOCATION	DRAINBOARD LENGTH	WEIGHT
MODEL	LIST	MODEL	LIST				
TSA-36-S	\$3,905	TSB-36-S	\$3,932	36"	Center	N/A	110#
TSA-48L-S*	\$4,169	TSB-48L-S*	\$4,264	48"	Left	12"	120#
TSA-48R-S*	\$4,169	TSB-48R-S*	\$4,264	48"	Right	12"	120#
TSA-60-S	\$4,457	TSB-60-S	\$4,603	60"	Center	2 @ 12"	130#
TSA-60L-S*	\$4,457	TSB-60L-S*	\$4,603	60"	Left	24"	130#
TSA-60R-S*	\$4,457	TSB-60R-S*	\$4,603	60"	Right	24"	130#
TSA-66L-S*	\$4,568	TSB-66L-S*	\$4,744	66"	Left	30"	140#
TSA-66R-S*	\$4,568	TSB-66R-S*	\$4,744	66"	Right	30"	140#
TSA-72-S	\$4,690	TSB-72-S	\$4,879	72"	Center	2 @ 18"	145#
TSA-84-S*	\$5,015	TSB-84-S*	\$5,260	84"	Center	2 @ 24"	160#
TSA-96-S*	\$5,274	TSB-96-S*	\$5,577	96"	Center	2 @ 30"	175#

## FOUR COMPARTMENT SINKS WITH STAINLESS SINK SECTION

19" DEEP		24" DEEP		OVERALL LENGTH	SINK LOCATION	DRAINBOARD LENGTH	WEIGHT
MODEL	LIST	MODEL	LIST				
FSA-48-S*	\$4,799	FSB-48-S*	\$4,868	48"	Center	N/A	125#
FSA-60L-S*	\$5,067	FSB-60L-S*	\$5,188	60"	Left	12"	140#
FSA-60R-S*	\$5,067	FSB-60R-S*	\$5,188	60"	Right	12"	140#
FSA-66L-S*	\$5,197	FSB-66L-S*	\$5,349	66"	Left	18"	150#
FSA-66R-S*	\$5,197	FSB-66R-S*	\$5,349	66"	Right	18"	150#
FSA-72-S	\$5,358	FSB-72-S	\$5,503	72"	Center	2 @ 12"	155#
FSA-72L-S*	\$5,358	FSB-72L-S*	\$5,503	72"	Left	24"	155#
FSA-72R-S*	\$5,358	FSB-72R-S*	\$5,503	72"	Right	24"	155#
FSA-84-S*	\$5,662	FSB-84-S*	\$5,874	84"	Center	2 @ 18"	170#
FSA-96-S*	\$5,928	FSB-96-S*	\$6,186	96"	Center	2 @ 24"	185#

## ACCESSORIES

MODEL	DESCRIPTION	LIST	WGT
SSR-24	24" single speed rail	\$288	7#
SSR-36	36" single speed rail	\$335	12#
SSR-48	48" single speed rail	\$385	18#
SSR-60	60" single speed rail	\$588	28#
SSR-66	66" single speed rail	\$613	32#
SSR-72	72" single speed rail	\$636	35#
SSR-84	84" single speed rail	\$687	42#
DSR-24	24" double speed rail	\$562	14#
DSR-36	36" double speed rail	\$657	24#
DSR-48	48" double speed rail	\$759	44#
DSR-60	60" double speed rail	\$1,048	56#
DSR-66	66" double speed rail	\$1,105	64#
DSR-72	72" double speed rail	\$1,151	70#
DSR-84	84" double speed rail	\$1,244	84#
TR	Towel ring	\$23	1#
LWS	Large wet waste strainer	\$85	3#
DWR-12	Dry waste rail	\$251	6#
03002552	Sink cover, perforated for DSA or DSB	\$164	5#
03002553	Sink cover, perforated for TSA or TSB	\$246	8#
03002554	Sink cover, perforated for FSA or FSB	\$331	12#

**PRODUCT INFORMATION**  
(see Mixology Units Spec Sheet for complete details)

**STANDARD FEATURES**

- Manufactured with total welded construction to meet NSF® standards
- All stainless steel construction
- One-piece seamless top and backsplash featuring 1/4" radius corners for easy cleaning
- Adjustable stainless steel bullet feet (does not include MFT-8)
- All faucets are shipped mounted

All faucets are certified low lead compliant

**⚠ WARNING:** The plastic wet waste strainer included with this product can expose you to chemicals including Bisphenol A (BPA), which is known to the State of California to cause birth defects or other reproductive harm. For more information, go to [www.P65Warnings.ca.gov](http://www.P65Warnings.ca.gov). **Part #03000483**  
**Warning applies to State of California only.**



MTS-14

**MTS-14 MIXOLOGY UNIT**

Includes 9-1/4" by 11-1/2" by 6" deep sink, backsplash-mounted faucet, lift-out perforated plastic sink strainer, push-down rinser faucet, and 6" diameter mixology tool well with faucet.

MODEL	LIST	LENGTH	WEIGHT
MTS-14	\$3,887	14"	55#



MRS-12

**MRS-12 MIXOLOGY UNIT**

Includes 9-1/4" by 11-1/2" by 6" deep sink, backsplash-mounted faucet, lift-out perforated plastic sink strainer, and push-down rinser faucet.

MODEL	LIST	LENGTH	WEIGHT
MRS-12	\$2,629	12"	55#



MFS-12

**MFS-12 MIXOLOGY UNIT\***

Includes 9-1/4" by 11-1/2" by 6" deep sink, backsplash-mounted faucet, lift-out perforated plastic sink strainer, and 8" by 11" securely mounted and easily removable cutting board.

MODEL	LIST	LENGTH	WEIGHT
MFS-12	\$2,442	12"	55#

\*NOTE: This item is manufactured to order and is not returnable

**MFT-8 MIXOLOGY UNIT**

Includes 6" diameter mixology tool well with faucet, push-down rinser faucet, and 7-1/2" by 7-1/2" securely mounted and easily removable cutting board. NOTE: No legs. Must mount to adjacent underbar.

MODEL	LIST	LENGTH	WEIGHT
MFT-8	\$2,599	8"	40#



MFT-8

**MFT-20 MIXOLOGY UNIT**

Includes 9-1/4" by 11-1/2" by 6" deep sink, backsplash-mounted faucet, lift-out perforated plastic sink strainer, push-down rinser faucet, 6" diameter mixology tool well with faucet, 8" by 11" securely mounted and easily removable cutting board, and removable ice scoop well.

MODEL	LIST	LENGTH	WEIGHT
MFT-20	\$4,249	20"	65#

**CONFIGURABLE OPTIONS**

MODEL	DESCRIPTION	LIST	WEIGHT
LSM	Left side splash, MFS-12, MFT-8 or MFT-20	\$171	4#
RSM	Right side splash, MFS-12, MFT-8 or MFT-20	\$171	4#
LSB-D	Left side splash, MRS-12, MTS-14	\$200	5#
RSB-D	Right side splash, MRS-12, MTS-14	\$200	5#
FOF-B	Convert to foot-operated back-splash faucet (excludes MFT-8 model)	\$633	3#



Optional foot-operated faucet

- FOF-B  
• MRS-12 • MTS-14  
• MFS-12 • MFT-20

Rinser faucet installation notes:

- Important: Unit must be installed in conformance with applicable federal, state, and local plumbing codes, including adequate backflow when required.
- Must install backflow prevention device conforming to ANSI/ASSE 1022 or ANSI/ASSE 1024 to meet plumbing code (not included).
- Install in-line water regulator (included).
- A separate shut-off valve is recommended (not included).



MFT-20

Bar Fabrication - Main Line

**All faucets are certified low lead compliant**

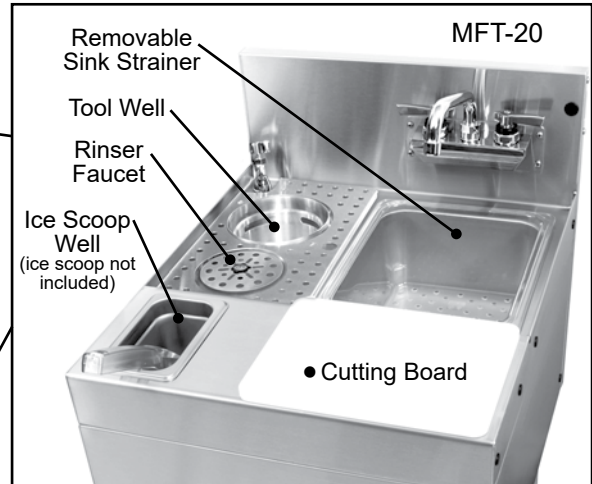
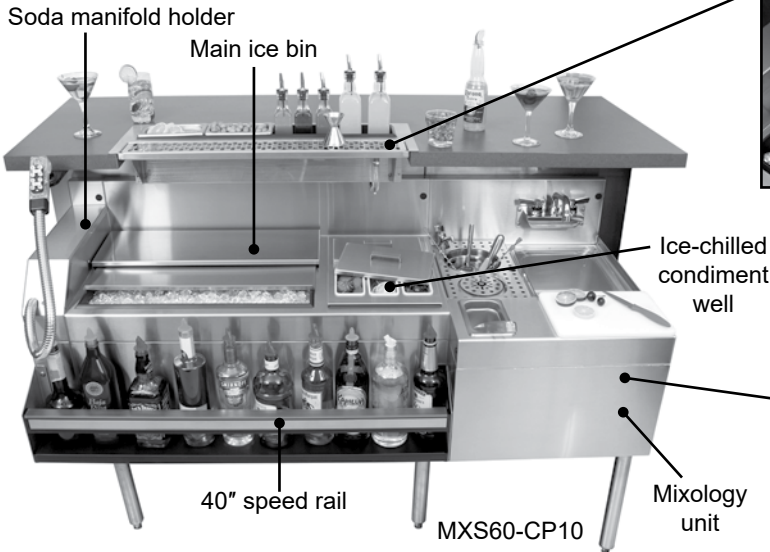
Mixology Stations include the following standard features:

- 4" soda manifold holder
- 24" main ice bin liner
- 12" condiment well
- Single speed rail
- 20" mixology unit

\*NOTE: Mixology stations are manufactured to order and are not returnable

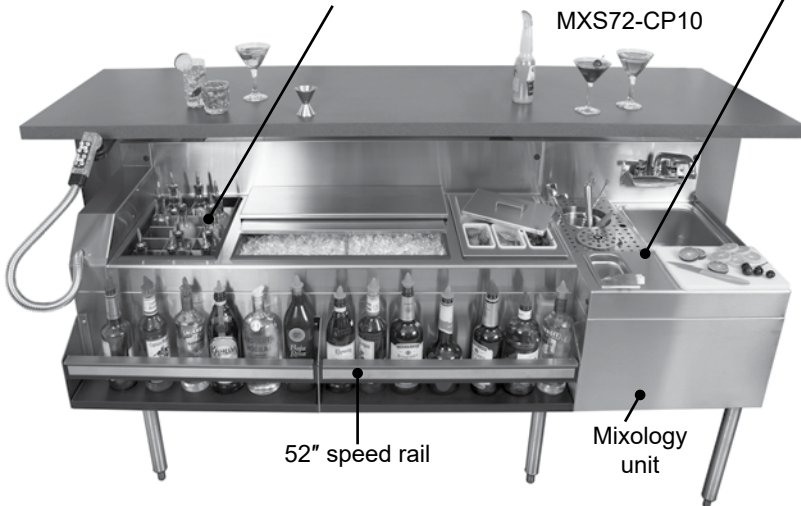


Drop-in mixology drink rail  
(See next page for drop-in mixology wells)



### What is different about the 72" mixology station?

The MXS72-CP10 mixology station is 12" longer, because it also includes a 12" elixir bottle well.



### PRODUCT INFORMATION

(see MXS Spec Sheet for complete details)

### STANDARD FEATURES

- All stainless steel construction
- Complete line up is flush at 24" deep to match adjacent underbar
- The SMHA-4 soda manifold housing is designed to house the manifold of Wunder-Bar® or Schroeder America™ 8 to 14 button soda guns
- The condiment well and ice bin are foamed-in-place insulated and include a PVC plastic breaker strip around the liner to prevent thermal transfer so ice lasts longer
- The ice bin includes a built-in ten circuit cold plate, sliding stainless steel cover, and stainless steel ice bin divider
- The condiment well provides ice-chilled storage for six pint-size (16 oz.) condiment cups and includes two lift-off stainless steel covers
- A single speed rail is included
- The MFT-20 model mixology unit includes a push-down rinser faucet to rinse shaker cans, a lift-out perforated plastic sink strainer, a 6" diameter seamless welded draining dipper well and faucet for mixology tools, an 8" x 11" cutting board that is securely mounted but easily removable for cleaning, and an ice scoop well
- The MXS72-CP10 model also includes an elixir bottle well with BRM15 stainless steel rack to hold 15 elixir bottles (NOTE: Recommend Tablecraft 916 (16 oz.) or 9085 (8.5 oz.) olive oil bottles)

### MIXOLOGY STATION

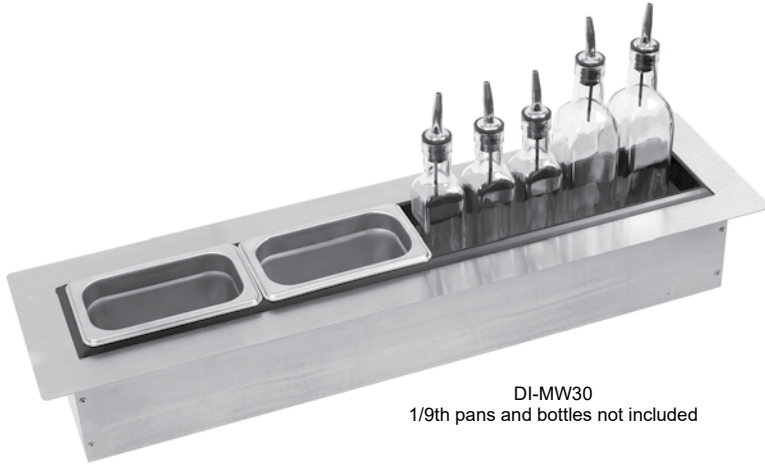
MODEL	LIST	LENGTH	WEIGHT
MXS60-CP10	\$11,364	60"	279#
MXS72-CP10	\$12,961	72"	322#

### Rinser faucet installation notes:

- Important: Unit must be installed in conformance with applicable federal, state, and local plumbing codes, including adequate backflow when required.
- Must install backflow prevention device conforming to ANSI/ASSE 1022 or ANSI/ASSE 1024 to meet plumbing code (not included).
- Install in-line water regulator (included).
- A separate shut-off valve is recommended (not included).

**WARNING:** The plastic wet waste strainer included with this product can expose you to chemicals including Bisphenol A (BPA), which is known to the State of California to cause birth defects or other reproductive harm. For more information, go to [www.P65Warnings.ca.gov](http://www.P65Warnings.ca.gov).  
**Warning applies to State of California only.** Part #03000483

Bar Fabrication - Main Line



DI-MW30  
1/9th pans and bottles not included

### DROP-IN MIXOLOGY WELLS

MODEL	LIST	LENGTH	WEIGHT
DI-MW24	\$1,214	24"	13#
DI-MW30	\$1,288	30"	16#
DI-MW36	\$1,367	36"	19#

\*NOTE: Drop-In Mixology Wells are manufactured to order and are not returnable

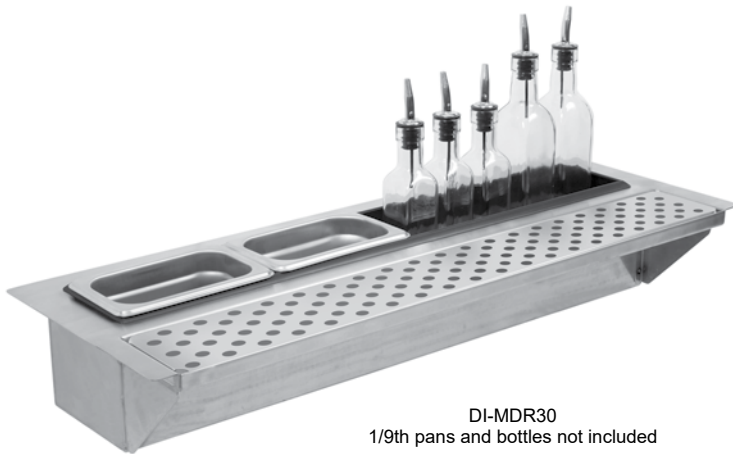
### PRODUCT INFORMATION

(see DI-MW Spec Sheet for complete details)

#### STANDARD FEATURES:

- Stainless steel top and interior liner
- PVC plastic breaker strip around well liner: creates 5/16" raised edge around liner and acts as thermal barrier to prevent heat transfer
- Stainless steel exterior wrap
- 4" deep well liner is 3-5/8" front-to-back
- Designed to hold up to 3-1/2" wide bottles or 1/9th pans
- Installation kit includes: 10' of clear vinyl drain tube, five - 4" Ty-wraps, one - 1/2" PVC elbow, one - 1/2" nylon elbow, and one drainline splicer

# Drop-In Mixology Drink Rails\*



DI-MDR30  
1/9th pans and bottles not included

### DROP-IN MIXOLOGY DRINK RAILS

MODEL	LIST	LENGTH	WEIGHT
DI-MDR24	\$1,832	24"	16#
DI-MDR30	\$1,921	30"	20#
DI-MDR36	\$2,017	36"	24#

### PRODUCT INFORMATION

(see DI-MDR Spec Sheet for complete details)

#### STANDARD FEATURES

- Stainless steel top and interior liner
- PVC plastic breaker strip around ice bin liner: creates 5/16" raised edge around liner and acts as thermal barrier to prevent heat transfer
- One-piece top includes drain pan with removable perforated insert
- Stainless steel exterior wrap
- 4" deep well liner is 3-5/8" front-to-back
- Designed to hold up to 3-1/2" wide bottles or 1/9th pans
- Installation kit includes: 10' of clear vinyl drain tube, seven - 4" Ty-wraps, one - 1/2" PVC tee, one - 1/2" nylon elbow, and two drainline splicers

\*NOTE: Drop-In Mixology Drink Rails are manufactured to order and are not returnable

## PRODUCT INFORMATION

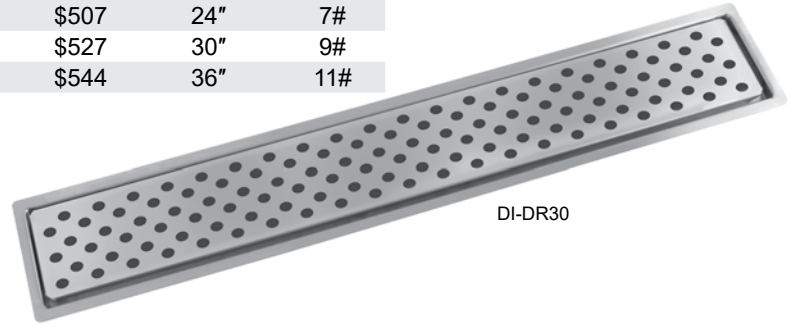
(see DI-DR Spec Sheet for complete details)

### STANDARD FEATURES:

- All stainless steel construction
- Available in 24", 30", or 36" lengths
- Drain is a 1/2" welded tailpiece that exits from the bottom of the unit
- Drain pan includes 1/2" flange
- Installation kit includes: 10' of clear vinyl drain tube, five - 4" Ty-wraps, and two - 1/2" plastic elbows

## DROP-IN DRINK RAILS

MODEL	LIST	LENGTH	WEIGHT
DI-DR24	\$507	24"	7#
DI-DR30	\$527	30"	9#
DI-DR36	\$544	36"	11#



DI-DR30

# Undercounter Mount Rinsers Faucet

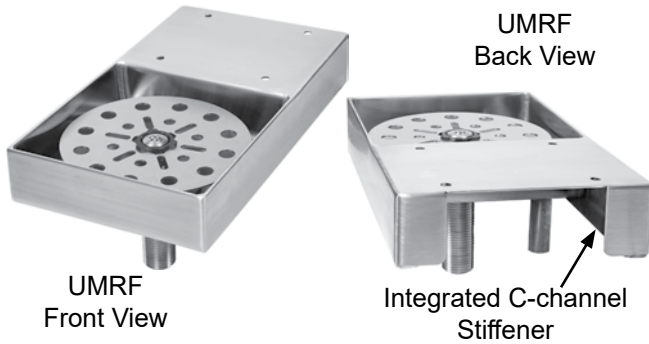
Pricing effective February 1, 2022

## PRODUCT INFORMATION

(see UMRF Spec Sheet for complete details)

### STANDARD FEATURES:

- All 18 gauge stainless steel construction
- Pan includes radius interior corners for easy cleaning
- Total welded construction with integrated C-channel sides for incredible rigidity
- Installation kit for plumbing 1/2" tailpiece drain - includes 10' of vinyl drain tube, (3) ty wraps, (1) elbow, (1) elbow to drain-line adaptor, (4) #10 x 1/2 screws
- Rear deck area with pre-punched screw holes for mounting to underside of bar top



Rinsers faucet installation notes:

- Important: Unit must be installed in conformance with applicable federal, state, and local plumbing codes, including adequate backflow when required.
- Must install backflow prevention device conforming to ANSI/ASSE 1022 or ANSI/ASSE 1024 to meet plumbing code (not included).
- Install in-line water regulator (included).
- A separate shut-off valve is recommended (not included).

## UMRF

MODEL	LIST	WEIGHT	WIDTH	DEPTH	HEIGHT
UMRF	\$845	8#	5"	9"	1-1/2"

# Drop-In Rinsers Faucets

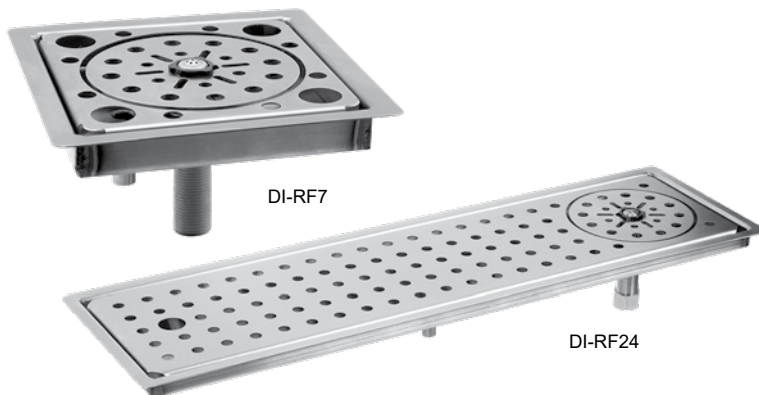
Pricing effective June 1, 2022

## PRODUCT INFORMATION

(see DI-RF Spec Sheet for complete details)

### STANDARD FEATURES:

- All stainless steel construction
- Pan includes radius corners for easy cleaning
- Drain is a 1/2" welded tailpiece that exits from the bottom of the unit
- Drain pan includes 1/2" flange
- Installation kit includes: 10' of clear vinyl drain tube, five - 4" Ty-wraps, and two - 1/2" plastic elbows

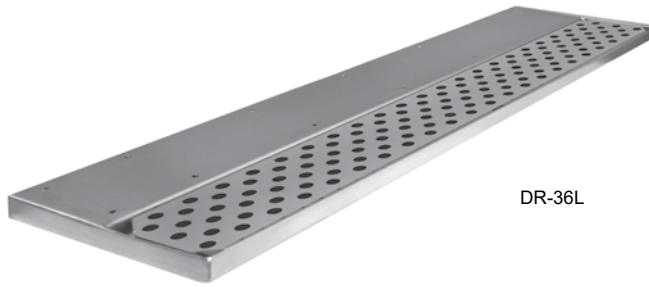


Rinsers faucet installation notes:

- Important: Unit must be installed in conformance with applicable federal, state, and local plumbing codes, including adequate backflow when required.
- Must install backflow prevention device conforming to ANSI/ASSE 1022 or ANSI/ASSE 1024 to meet plumbing code (not included).
- Install in-line water regulator (included).
- A separate shut-off valve is recommended (not included).

## DROP-IN DRINK RAILS

MODEL	LIST	LENGTH	WEIGHT
DI-RF7	\$877	7"	8#
DI-RF12	\$902	12"	10#
DI-RF18	\$927	18"	12#
DI-RF24	\$952	24"	14#



DR-36L

Conveniently mounts to underside of bar top to provide stainless steel draining drink rail.

**PRODUCT INFORMATION**

(see DR Spec Sheet for complete details)

**STANDARD FEATURES:** All stainless steel construction • One-piece, seamless mounting deck and pan with removable perforated inserts • 30" and 36" models have one gusset and 42" and 48" models have two gussets for added strength • Drain consists of 1/2" welded tailpiece that exits from the back of the unit • 45° and 90° inside and outside corner filler sections available • Installation kit includes: 10' of clear vinyl drain tube, one 4" Ty-wrap, three #10 x 1/2" stainless steel wood screws, three cable clamps and one 1/2" x 1/2" x 1/2" plastic tee

**DRINK RAILS**

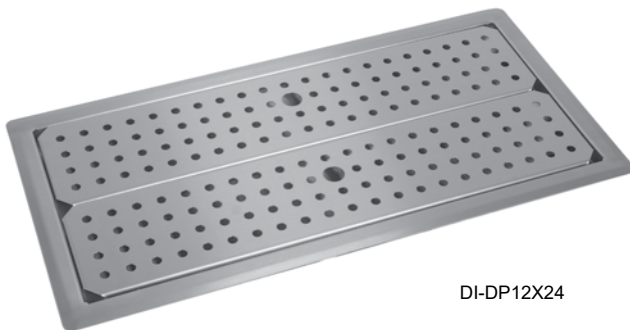
MODEL	LIST	LENGTH	DRAIN	WEIGHT
DR-12L	\$507	12"	Left	7#
DR-12R	\$507	12"	Right	7#
DR-18L	\$538	18"	Left	8#
DR-18R	\$538	18"	Right	8#
DR-24L	\$567	24"	Left	9#
DR-24R	\$567	24"	Right	9#
DR-30L	\$604	30"	Left	11#
DR-30R	\$604	30"	Right	11#
DR-36L	\$632	36"	Left	13#
DR-36R	\$632	36"	Right	13#
DR-42L	\$666	42"	Left	15#
DR-42R	\$666	42"	Right	15#
DR-48L	\$697	48"	Left	18#
DR-48R	\$697	48"	Right	18#

**INSIDE AND OUTSIDE CORNER FILLERS**

MODEL	DESCRIPTION	LIST	WEIGHT
DR-IC45	45° inside corner filler	\$304	8#
DR-IC90	90° inside corner filler	\$315	10#
DR-OC45	45° outside corner filler	\$304	8#
DR-OC90	90° outside corner filler	\$315	10#

\*NOTE: Drink Rails are manufactured to order and are not returnable

Drop-In Drain Pans\*



DI-DP12X24

Drain pan drops into a cut-out in your bartop to provide a stainless steel draining work surface.

**DROP-IN DRAIN PANS**

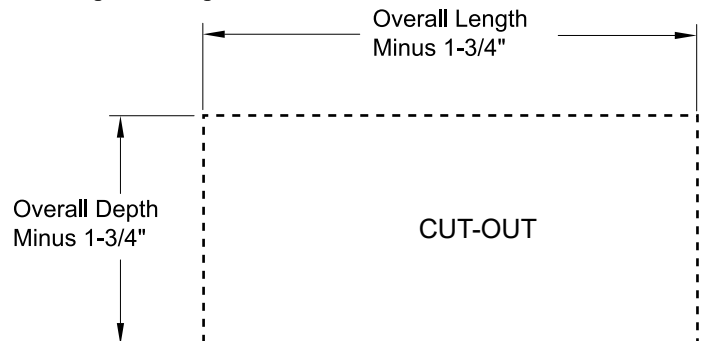
MODEL	OVERALL DIMENSIONS	LIST	WEIGHT
DI-DP12X24	12" x 24"	\$643	14#
DI-DP12X30	12" x 30"	\$691	16#
DI-DP12X36	12" x 36"	\$741	18#
DI-DP12X42	12" x 42"	\$809	20#
DI-DP12X48	12" x 48"	\$885	22#
DI-DP18X24	18" x 24"	\$792	18#
DI-DP18X30	18" x 30"	\$855	21#
DI-DP18X36	18" x 36"	\$961	24#
DI-DP18X42	18" x 42"	\$1,075	27#
DI-DP18X48	18" x 48"	\$1,188	30#

\*NOTE: Drop-In Drain Pans are manufactured to order and are not returnable

**PRODUCT INFORMATION**

(see DI-DP Spec Sheet for complete details)

**STANDARD FEATURES:** All stainless steel construction • 18 gauge stainless steel pan with removable perforated inserts • Available in standard widths of 12" or 18" and lengths from 24" to 48". Custom sizes also available • Drain consists of 1/2" welded tailpiece that exits from the bottom of the unit • Drain pan flange includes self-rimming edge for tight fit to work surface • Installation kit includes: 10' of clear vinyl drain tube, one 4" Ty-wrap, three #10 x 1/2" stainless steel wood screws, three #10 x 1/2" black sheet metal screws, three cable clamps, two 1/2" x 1/2" plastic elbows • Cut-out dimensions are 1-3/4" smaller than the outer flange dimensions • Install by making cut-out in work surface, apply silicone sealant to edge of unit, set in place and plumb drain line



EXAMPLE: A DI-DP12X24 which measures 12" x 24" would require a cut-out size of 10-1/4" x 22-1/4"



Liquor Steps provide tiered liquor bottle storage at a height convenient for bartender use. They maintain the same easy-to-clean, open step and rail design as a speed rail. Each step and rail has PVC sound deadening covers and each rail includes a clear lift-off liquor-identification cover. The 24" deep models provide four levels of storage front to back and the 29" deep models provide five levels.

Liquor steps cannot have a speed rail mounted to them. Since speed rails are so common on underbar, liquor steps have been designed to align with underbar that has a speed rail. The four different liquor steps styles are based on the four different equipment-mounting situations.

## PRODUCT INFORMATION

(see LD Spec Sheet for complete details)

### STANDARD FEATURES

- Easily-usable height for storage
- All stainless steel construction and stainless steel bullet feet
- Includes radius interior corners for easy cleaning
- Four (4) levels of liquor bottle storage for 24" deep models and five (5) levels for 29" deep models
- Bottle retaining rails with clear lift-off liquor-identification cover
- Open step-and-rail design for easy cleaning and better view of bottles
- Locking covers are available for each individual row - see Locking Speed Rail Covers on page 26
- Matches speed rail design for continuity
- Specially designed side profiles to align with four different equipment-mounting situations
- Rear step on each model is extra wide for specialty liquor bottles



LDA-18S



LDB-18

### 24" DEEP LIQUOR STEPS

(Aligns with 19" deep underbar that has a single speed rail)

MODEL	LIST	LENGTH	WEIGHT
LDA-12S	\$1,770	12"	50#
LDA-18S	\$1,937	18"	60#
LDA-24S	\$2,109	24"	70#
LDA-30S*	\$2,279	30"	80#
LDA-36S*	\$2,448	36"	90#
LDA-42S*	\$2,619	42"	100#

### 24" DEEP LIQUOR STEPS

(Aligns with 24" deep underbar that has no speed rail)

MODEL	LIST	LENGTH	WEIGHT
LDB-12	\$1,770	12"	50#
LDB-18	\$1,937	18"	60#
LDB-24	\$2,109	24"	70#
LDB-30*	\$2,279	30"	80#
LDB-36*	\$2,448	36"	90#
LDB-42*	\$2,619	42"	100#



LDA-18D



LDB-18S

### 29" DEEP LIQUOR STEPS

(Aligns with 19" deep underbar that has a double speed rail)

MODEL	LIST	LENGTH	WEIGHT
LDA-12D	\$1,985	12"	55#
LDA-18D	\$2,180	18"	65#
LDA-24D	\$2,375	24"	75#
LDA-30D*	\$2,580	30"	85#
LDA-36D*	\$2,777	36"	95#
LDA-42D*	\$2,974	42"	105#

### 29" DEEP LIQUOR STEPS

(Aligns with 24" deep underbar that has a single speed rail)

MODEL	LIST	LENGTH	WEIGHT
LDB-12S	\$1,985	12"	55#
LDB-18S	\$2,180	18"	65#
LDB-24S	\$2,375	24"	75#
LDB-30S*	\$2,580	30"	85#
LDB-36S*	\$2,777	36"	95#
LDB-42S*	\$2,974	42"	105#

\*NOTE: These liquor steps are manufactured to order and are not returnable



IOS-18

**PRODUCT INFORMATION**

(see IOS Spec Sheet for complete details)

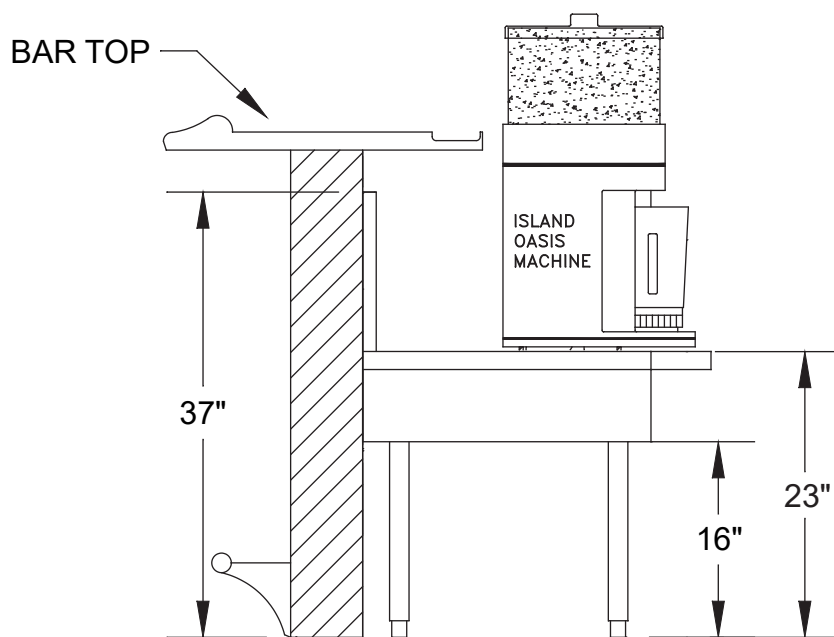
**STANDARD FEATURES**

- All stainless steel construction
- Adjustable stainless steel bullet feet
- Radius work surface corners for easy cleaning
- One-piece seamless top and backsplash
- 1" deep drain pan work surface to capture excess moisture
- Chamfered front to eliminate "knee knockers"

**ISLAND OASIS® STAND**

<u>MODEL</u>	<u>LIST</u>	<u>LENGTH</u>	<u>WEIGHT</u>
IOS-18	\$1,597	18"	50#

The Glastender Island Oasis® Stand is designed for use with the model number SB-3X Island Oasis® machine. The 18" wide by 29" deep stand has a lowered draining work surface and extended front to allow the machine to be stored at a convenient and usable height. In most bar applications, the clear plastic ice container will be visible above the bar top.



Installation Side Elevation

**Bar Fabrication - Main Line**



DWB-12 shown in an installation setting with optional trash receptacle



DWB-15L shown in an installation setting with optional trash receptacle



DWB-14-C† shown with optional trash receptacle

**PRODUCT INFORMATION**

(see DW Spec Sheet for complete details)

There are four different Dry Waste Chute models to meet various installation requirements.

**STANDARD FEATURES**

- Lift-up top for emptying the trash receptacle
- Completely removable top for thorough cleaning
- The DWB-12 mounts between two adjacent pieces of Glastender main line underbar and has no legs
- The DWB-15L and DWB-15R include a single leg set and mount to an adjacent piece of Glastender main line underbar
- The DWB-14-C† is free standing
- All models are designed to house a Rubbermaid Slim Jim® trash receptacle

† Patent Pending

**24" DEEP DRY WASTE CHUTES**

MODEL	LIST	LEG POSITION	LENGTH	WEIGHT
DWB-12	\$923	N/A	12"	30#
DWB-14-C†	\$2,345	N/A	14"	64#
DWB-15L	\$1,458	Left	15"	45#
DWB-15R	\$1,458	Right	15"	45#

**CONFIGURABLE OPTIONS**

MODEL	DESCRIPTION	LIST	WGT
LSDW	Left side splash (DWB-14-C†)	\$171	1#
RSDW	Right side splash (DWB-14-C†)	\$171	1#

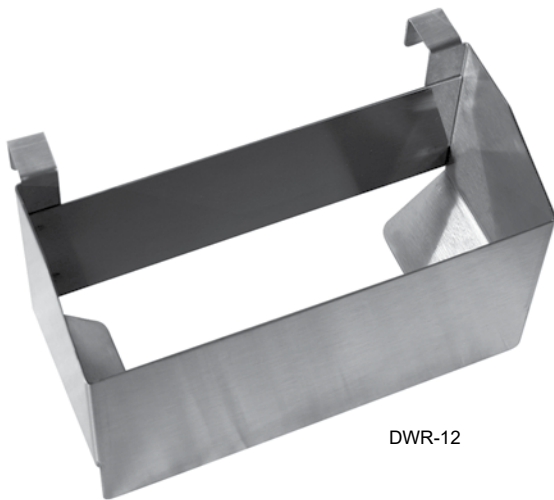
**ACCESSORY**

MODEL	DESCRIPTION	LIST	WGT
03000497	Rubbermaid Slim Jim®	\$271	10#

Bar Fabrication - Main Line

**Dry Waste Rail**

Pricing effective June 1, 2022



DWR-12

**PRODUCT INFORMATION**

(see DWR Spec Sheet for complete details)

- A Dry Waste Rail is 12" wide, 5" deep, and looks like a speed rail, but it is actually a removable stainless steel chute
- A 16" high or shorter trash receptacle is placed under the dry waste rail and the chute directs the refuse into the receptacle
- Dry waste rails cannot be used on Cabinets, Glassracks, or Ice Cream Freezers

**DRY WASTE RAIL**

MODEL	LIST	LENGTH	WEIGHT
DWR-12	\$251	12"	6#

**ACCESSORIES**

MODEL	DESCRIPTION	LIST	WGT
DWC	Trash receptacle, stainless steel	\$561	5#
03005491	Trash receptacle, 28½ qt, gray plastic	\$80	5#

All faucets are certified low lead compliant 



FRA-24

**PRODUCT INFORMATION**

(see FR Spec Sheet for complete details)

**STANDARD FEATURES:** All stainless steel construction • Foamed-in-place insulation • 6" diameter seamless welded draining dipper well and faucet • Six-foot grounded cord and plug provided • 24" wide models hold one 3-gallon container • 36" wide models hold two 3-gallon containers • One-piece seamless top and backsplash

**ELECTRICAL:** 120V, 1 phase, 60 Hz, 4.75 full load amps • Dedicated 15 amp circuit is recommended • Includes 6-foot grounded cord and plug

**REFRIGERATION:** Operating range -5°F to 10°F • 1/4 HP, R290 refrigerant

**CAPACITY:** FRA-24 and FRB-24 models hold one 3-gallon container • FRA-36 and FRB-36 models hold two 3-gallon containers

**19" DEEP ICE CREAM FREEZERS**

MODEL	LIST	LENGTH	WEIGHT
FRA-24	\$5,979	24"	140#
FRA-36	\$6,846	36"	175#

**24" DEEP ICE CREAM FREEZERS**

MODEL	LIST	LENGTH	WEIGHT
FRB-24	\$6,162	24"	150#
FRB-36	\$7,028	36"	185#

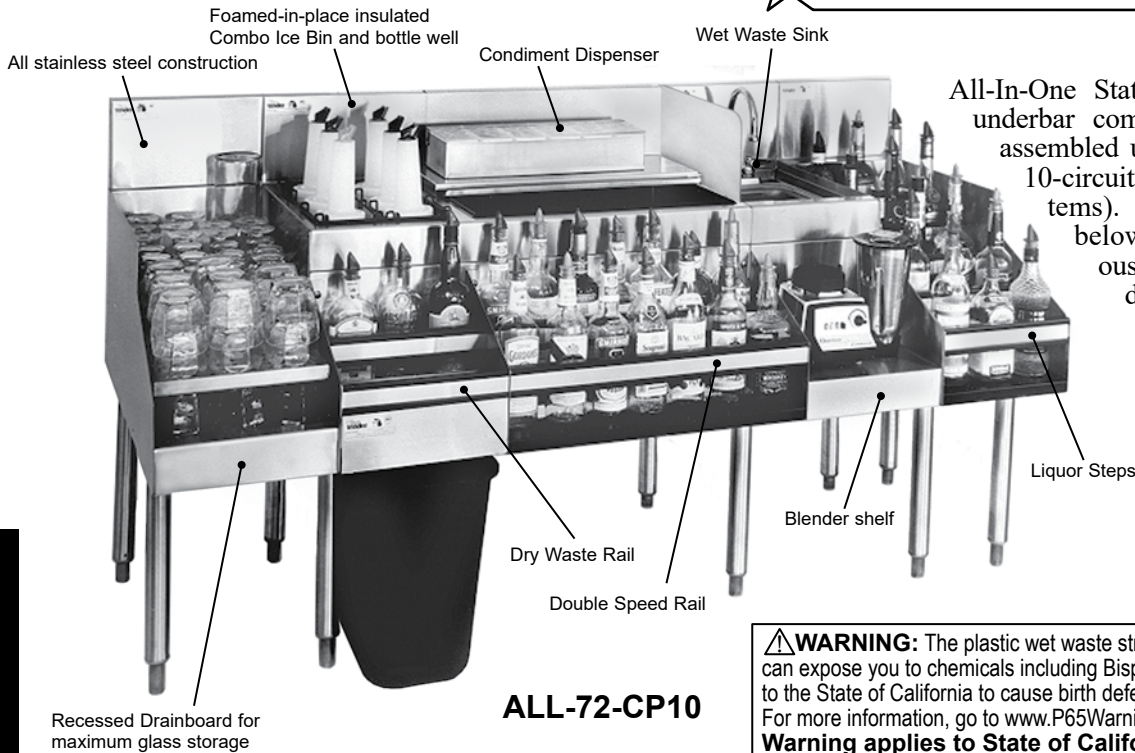
\*NOTE: Ice Cream Freezers are manufactured to order and are not returnable

**ACCESSORIES**

MODEL	DESCRIPTION	LIST	WGT
SSR-24	24" single speed rail	\$288	7#
SSR-36	36" single speed rail	\$335	12#
DSR-24	24" double speed rail	\$562	14#
DSR-36	36" double speed rail	\$657	24#
CE-220/50S	Convert self-contained unit to 220V/50Hz electrical	\$279	N/A

Bar Fabrication - Main Line

**All faucets are certified low lead compliant**



All-In-One Stations combine different underbar components into one pre-assembled unit (also available with 10-circuit cold plate for soda systems). The ALL-72 pictured below illustrates the various components. Read the descriptions below each model for a complete list of standard components. (see ALL Spec Sheet for complete details)

**ALL-72-CP10**

**WARNING:** The plastic wet waste strainer included with this product can expose you to chemicals including Bisphenol A (BPA), which is known to the State of California to cause birth defects or other reproductive harm. For more information, go to [www.P65Warnings.ca.gov](http://www.P65Warnings.ca.gov). **Warning applies to State of California only.** Part #03000483

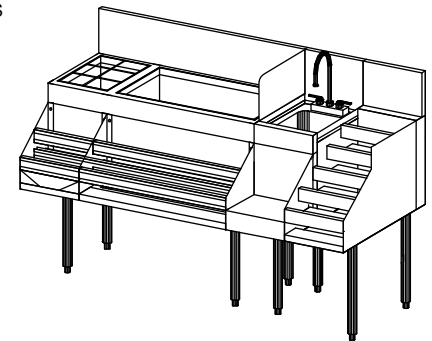
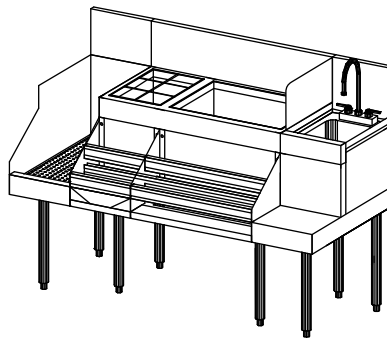
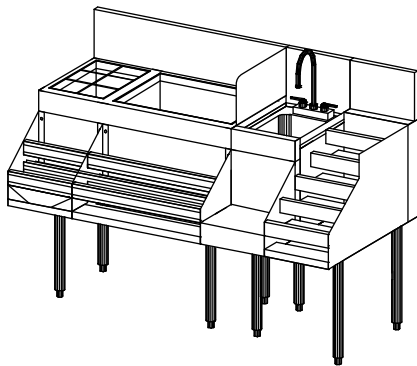
**Bar Fabrication - Main Line**

**ALL-IN-ONE STATION ACCESSORY**

MODEL	DESCRIPTION	LIST	WEIGHT
TC-BS	Tubing chase centered in backsplash of ice bin	\$73	N/A



TC-BS



**ALL-60A**

MODEL	LIST	WT	COLD PLATE
ALL-60A	\$8,844	200#	No
ALL-60A-CP10	\$10,910	270#	YES

**ALL-60B**

MODEL	LIST	WT	COLD PLATE
ALL-60B	\$8,309	200#	No
ALL-60B-CP10	\$10,374	270#	YES

**ALL-66A**

MODEL	LIST	WT	COLD PLATE
ALL-66A	\$9,142	215#	No
ALL-66A-CP10	\$11,285	285#	YES

**60" ALL-IN-ONE STATION**

- 36" Combo Ice Bin
- 12" Single Wet Waste Sink w/Left Splash
- 12" Blender Shelf with Towel Ring
- 12" Liquor Steps
- 36" Double Speed Rail
- 12" Dry Waste Rail
- Condiment Dispenser

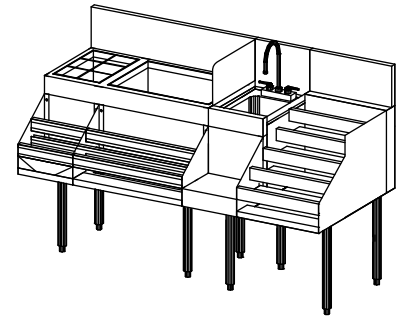
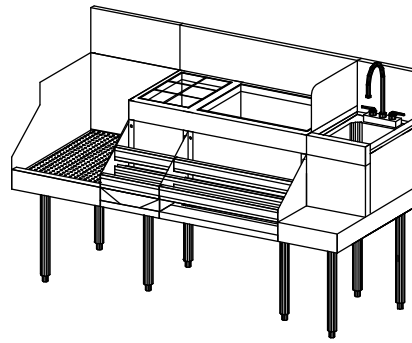
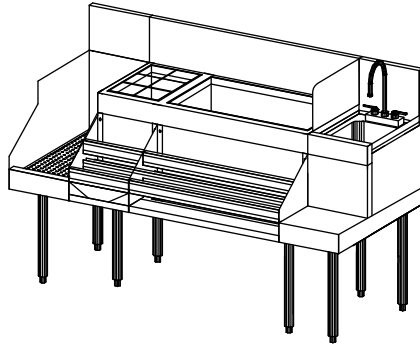
**60" ALL-IN-ONE STATION**

- 12" Recessed Drainboard
- 36" Combo Ice Bin
- 12" Single Wet Waste Sink w/Left Splash
- 12" Blender Shelf with Towel Ring
- 36" Double Speed Rail
- 12" Dry Waste Rail
- Condiment Dispenser

**66" ALL-IN-ONE STATION**

- 42" Combo Ice Bin
- 12" Single Wet Waste Sink w/Left Splash
- 12" Blender Shelf with Towel Ring
- 12" Liquor Steps
- 42" Double Speed Rail
- 12" Dry Waste Rail
- Condiment Dispenser

\*NOTE: All-In-One Stations are manufactured to order and are not returnable



**ALL-66B**

MODEL	LIST	WT	COLD PLATE
ALL-66B	\$8,607	215#	No
ALL-66B-CP10	\$10,749	285#	Yes

**ALL-66C**

MODEL	LIST	WT	COLD PLATE
ALL-66C	\$8,499	215#	No
ALL-66C-CP10	\$10,566	285#	Yes

**ALL-66D**

MODEL	LIST	WT	COLD PLATE
ALL-66D	\$9,040	215#	No
ALL-66D-CP10	\$11,106	285#	Yes

**66" ALL-IN-ONE STATION**

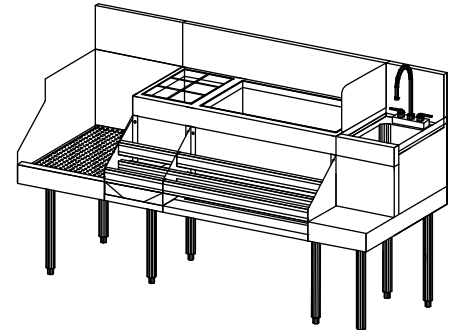
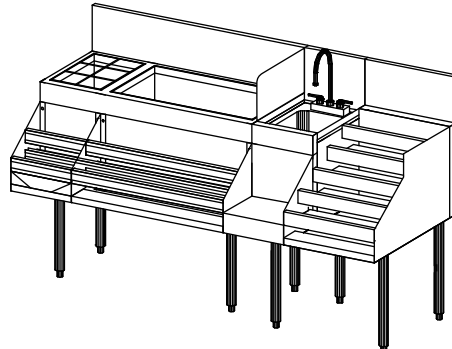
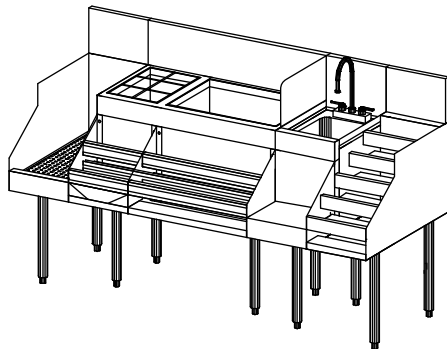
- 12" Recessed Drainboard
- 42" Combo Ice Bin
- 12" Single Wet Waste Sink w/Left Splash
- 12" Blender Shelf with Towel Ring
- 42" Double Speed Rail
- 12" Dry Waste Rail
- Condiment Dispenser

**66" ALL-IN-ONE STATION**

- 18" Recessed Drainboard
- 36" Combo Ice Bin
- 12" Single Wet Waste Sink w/Left Splash
- 12" Blender Shelf with Towel Ring
- 36" Double Speed Rail
- 12" Dry Waste Rail
- Condiment Dispenser

**66" ALL-IN-ONE STATION**

- 36" Combo Ice Bin
- 12" Single Wet Waste Sink w/Left Splash
- 18" Liquor Steps
- 36" Double Speed Rail
- 12" Dry Waste Rail
- Condiment Dispenser



**ALL-72**

MODEL	LIST	WT	COLD PLATE
ALL-72	\$10,294	240#	No
ALL-72-CP10	\$12,359	310#	Yes

**ALL-72A**

MODEL	LIST	WT	COLD PLATE
ALL-72A	\$9,338	240#	No
ALL-72A-CP10	\$11,481	310#	Yes

**ALL-72B**

MODEL	LIST	WT	COLD PLATE
ALL-72B	\$8,797	240#	No
ALL-72B-CP10	\$10,941	310#	Yes

**72" ALL-IN-ONE STATION**

- 12" Recessed Drainboard
- 36" Combo Ice Bin
- 12" Single Wet Waste Sink w/Left Splash
- 12" Blender Shelf with Towel Ring
- 12" Liquor Steps
- 36" Double Speed Rail
- 12" Dry Waste Rail
- Condiment Dispenser

**72" ALL-IN-ONE STATION**

- 42" Combo Ice Bin
- 12" Single Wet Waste Sink w/Left Splash
- 12" Blender Shelf with Towel Ring
- 18" Liquor Steps
- 42" Double Speed Rail
- 12" Dry Waste Rail
- Condiment Dispenser

**72" ALL-IN-ONE STATION**

- 18" Recessed Drainboard
- 42" Combo Ice Bin
- 12" Single Wet Waste Sink w/Left Splash
- 12" Blender Shelf with Towel Ring
- 42" Double Speed Rail
- 12" Dry Waste Rail
- Condiment Dispenser

Bar Fabrication - Main Line

\*NOTE: All-In-One Stations are manufactured to order and are not returnable

**⚠WARNING:** The plastic wet waste strainer included with this product can expose you to chemicals including Bisphenol A (BPA), which is known to the State of California to cause birth defects or other reproductive harm. For more information, go to [www.P65Warnings.ca.gov](http://www.P65Warnings.ca.gov). **Warning applies to State of California only.** Part #03000483



**PRODUCT INFORMATION**

(see TC Spec Sheet for complete details)

**STANDARD FEATURES**

- All stainless steel construction
- Tubing chase is 6" by 6" by 4" high
- Stainless steel drain pan work surface and perforated insert
- Mounts between adjacent underbar equipment (there is no provision for leg mounting)
- Includes front rail and front skirt to match adjacent equipment
- Can be set in place after beverage lines are installed

**TUBING CHASES**

MODEL	LIST	LENGTH	DEPTH	WEIGHT
TCA	\$705	6"	19"	17#
TCB	\$801	6"	24"	19#

TCA shown in an installation setting

\*NOTE: Tubing Chases are manufactured to order and are not returnable

Beer Drainers\*

Beer Drainers have a 26" high lowered work surface and are designed specifically for use with undercounter-mounting beverage dispensers. The work surface includes a drain pan with perforated insert to serve as the drip pan for the dispenser and a special notched rear deck for beverage line access. Since the rear work surface is notched, the beverage lines can be installed prior to the beer drainer.



BDB-18 shown in an installation setting with undercounter-mounting beer tower above

**PRODUCT INFORMATION**

(see BD Spec Sheet for complete details)

**STANDARD FEATURES**

- All stainless steel construction
- Designed with lowered work surface to work in conjunction with undercounter-mounting beverage dispensers
- Adjustable stainless steel bullet feet
- Rear deck with tubing chase notch allows beer lines to be installed prior to beer drainer
- Front drain pan with lift-out stainless steel perforated insert

**19" DEEP BEER DRAINERS**

MODEL	LIST	LENGTH	WEIGHT
BDA-18	\$1,251	18"	45#
BDA-24	\$1,370	24"	50#
BDA-30	\$1,487	30"	55#
BDA-36	\$1,605	36"	60#

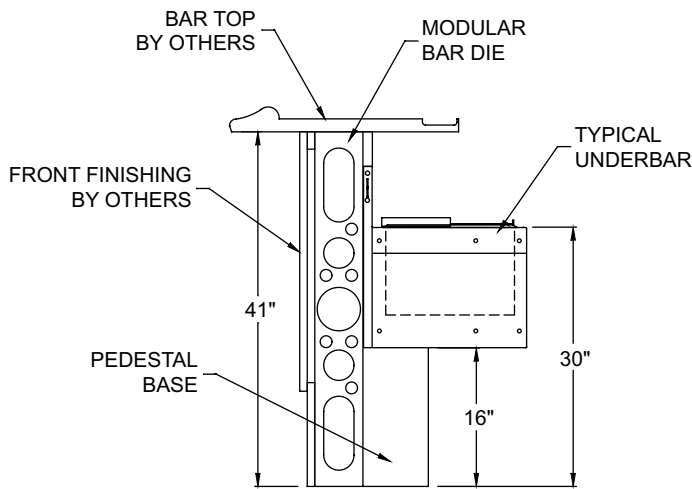
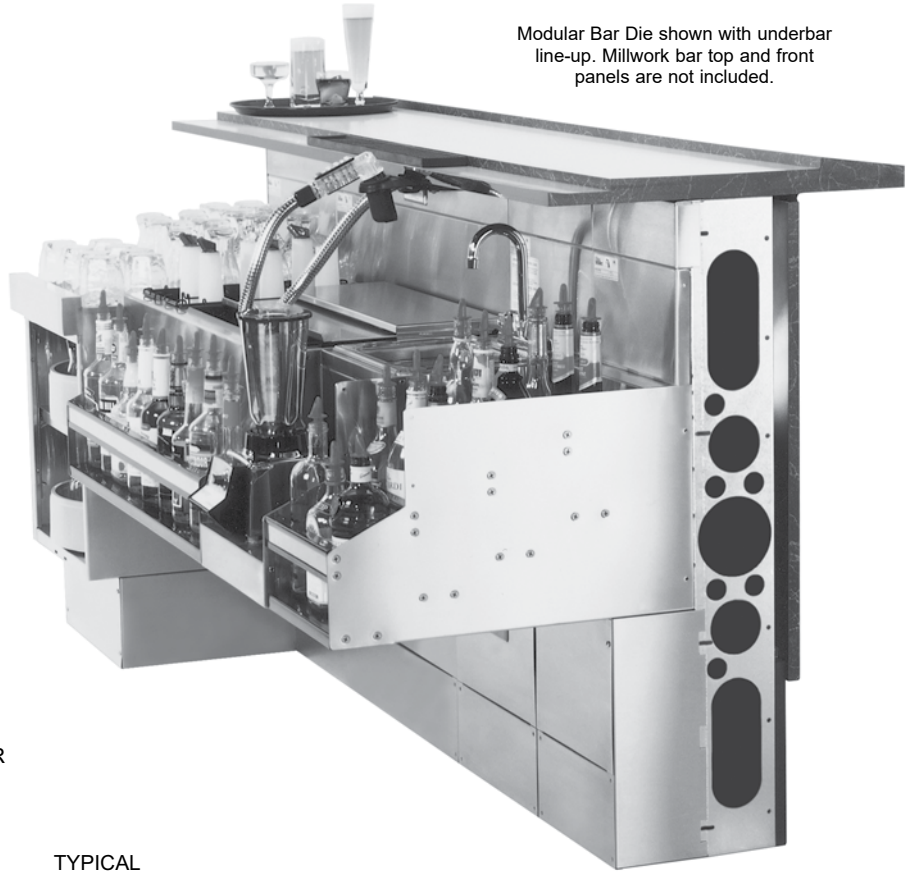
**24" DEEP BEER DRAINERS**

MODEL	LIST	LENGTH	WEIGHT
BDB-18	\$1,369	18"	55#
BDB-24	\$1,511	24"	60#
BDB-30	\$1,646	30"	65#
BDB-36	\$1,783	36"	70#

\*NOTE: Beer Drainers are manufactured to order and are not returnable

With the Glastender Modular Bar Die, underbar equipment is mounted to and supported on the bar die. All the underbar equipment is pre-assembled and mounted to the bar die at the factory, then broken down into shippable sections. Installation of the bar die is very simple - easier than a conventional style underbar with a millwork bar die. The result is a beautiful, innovative underbar line up that is sealed to the floor, stainless from floor to bar top, eliminates all underbar leg sets, and hides the soda, beer, electrical, and plumbing lines.

Modular Bar Die shown with underbar line-up. Millwork bar top and front panels are not included.



Typical Side Elevation View

The total Number of feet required is calculated by determining the overall outside dimension of the bar die wall. Please round up to the nearest whole foot.

### MODULAR BAR DIE

MODEL	DESCRIPTION	LIST	WGT
MD	Price per foot	\$463	15#

### PRODUCT INFORMATION

(see MD Spec Sheet for complete details)

#### FEATURES:

- 16 gauge galvanized steel structure with stainless steel bartender side finishing
- 20A GFI outlets built in to bar die wall based on customer preference (wiring not provided)
- LED lights built in to bar die wall above underbar equipment (wiring not provided)
- Built in chaseways for beer, soda, plumbing, and electrical lines.

#### BENEFITS:

- Stainless steel from floor to bar top on bartender side
- Floor can be sealed to the bar die to prevent moisture from seeping from the bartender side to the customer side of the bar
- Galvanized steel structure will not rot
- Built in chaseways hide beer, soda, plumbing, and electrical lines for a cleaner, more attractive bar
- Arrives pre-assembled from factory in sections up to 6 feet long for easy installation - lowers installation costs. Just bolt the sections together, level, and attach the floor.
- Pre-engineered to exact dimensions to ensure a precise fit
- Can be used in conjunction with removable front millwork finishing panels to provide easy access to soda, beer, plumbing, and electrical lines for future modification, maintenance, or repair
- Millwork bar top and front panels can be pre-fabricated and easily attached
- Eliminates all underbar legs for easy cleaning.

Bar Fabrication - Main Line



### 19" DEEP ICE BINS\*

MODEL	LIST	LTH	WGT	ICE CAPACITY
C-IBA-6†	\$1,199	6"	40#	17#
C-IBA-12	\$1,619	12"	50#	33#
C-IBA-18	\$1,789	18"	60#	50#
C-IBA-24	\$1,949	24"	70#	67#
C-IBA-30	\$2,125	30"	80#	84#
C-IBA-36	\$2,291	36"	90#	100#
C-IBA-42	\$2,464	42"	100#	117#
C-IBA-48	\$2,632	48"	110#	134#

### WITH 10-CIRCUIT COLD PLATE

C-IBA-24-CP10	\$3,667	24"	130#	67#
C-IBA-30-CP10	\$3,899	30"	145#	84#
C-IBA-36-CP10	\$4,194	36"	160#	100#
C-IBA-42-CP10	\$4,717	42"	170#	117#
C-IBA-48-CP10	\$4,897	48"	180#	134#

† Note: 6" unit cannot be free standing

### 24" DEEP ICE BINS\*

MODEL	LIST	LTH	WGT	ICE CAPACITY
C-IBB-6†	\$1,281	6"	45#	21#
C-IBB-12	\$1,739	12"	55#	42#
C-IBB-18	\$1,922	18"	70#	64#
C-IBB-24	\$2,099	24"	80#	85#
C-IBB-30	\$2,290	30"	95#	106#
C-IBB-36	\$2,467	36"	110#	127#
C-IBB-42	\$2,651	42"	120#	149#
C-IBB-48	\$2,829	48"	130#	170#

### WITH 10-CIRCUIT COLD PLATE\*

C-IBB-24-CP10	\$3,791	24"	145#	85#
C-IBB-30-CP10	\$4,500	30"	160#	106#
C-IBB-36-CP10	\$4,697	36"	170#	127#
C-IBB-42-CP10	\$4,896	42"	185#	149#
C-IBB-48-CP10	\$5,043	48"	195#	170#

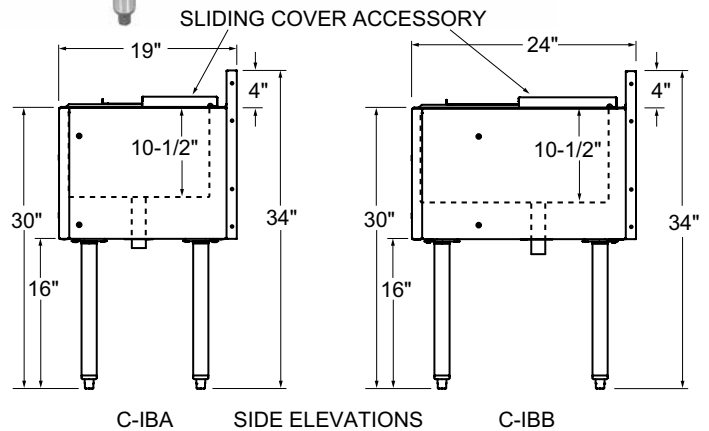
† Note: 6" unit cannot be free standing

### What is a cold plate?

Choice ice bins 24" wide and larger are available with a 10-circuit cold plate built into the bottom liner. A cold plate is an aluminum block with ten stainless steel lines or circuits molded within. Soda lines are attached by the soda vendor to the input and output lines of the cold plate and the soda water and syrup are chilled as they pass through the lines. A cold plate is recommended for ice bins used to make cocktails.



C-IBA-36-CP10



### PRODUCT INFORMATION

(see C-IB and C-IB-ED Spec Sheets for complete details)

### STANDARD FEATURES

- All stainless steel construction
- PVC plastic breaker strip around ice bin liner acts as a thermal barrier to prevent heat transfer
- 24" deep version provides larger ice bin not just a deck extension on the back of the 19" deep model
- Extra deep ice bins have 14-1/2" deep liner for extra ice capacity
- Adjustable thermoplastic bullet feet
- Backsplash is an open channel to provide access for beverage lines

NOTE: Ice bins intended to store potable ice must be ordered with an ice bin cover to maintain the sanitation listing

\*NOTE: These ice bin models are manufactured to order and are not returnable



Bottle rack accessory (one BR4 and one BR3 shown)

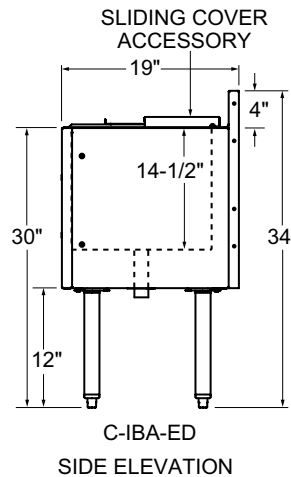
Bottle well accessory (two BW3 shown)

**19" EXTRA DEEP ICE BINS\***

MODEL	LIST	LTH	WGT	ICE CAPACITY
C-IBA-18-ED	\$1,994	18"	75#	69#
C-IBA-24-ED	\$2,191	24"	80#	92#
C-IBA-30-ED	\$2,388	30"	90#	116#
C-IBA-36-ED	\$2,586	36"	100#	139#
C-IBA-42-ED	\$2,782	42"	110#	162#
C-IBA-48-ED	\$2,983	48"	125#	185#

**EXTRA DEEP WITH 10-CIRCUIT COLD PLATE\***

C-IBA-24-CP10-ED	\$4,064	24"	140#	92#
C-IBA-30-CP10-ED	\$4,334	30"	155#	116#
C-IBA-36-CP10-ED	\$4,725	36"	170#	139#
C-IBA-42-CP10-ED	\$5,250	42"	180#	162#
C-IBA-48-CP10-ED	\$5,469	48"	190#	185#



NOTE: Ice bins intended to store potable ice must be ordered with an ice bin cover to maintain the sanitation listing

\*NOTE: These ice bin models are manufactured to order and are not returnable

**ICE BIN ACCESSORIES**

**SINGLE SPEED RAILS**

MODEL	DESCRIPTION	LIST	WGT
C-SR-12	12" single speed rail	\$177	5#
C-SR-18	18" single speed rail	\$198	6#
C-SR-24	24" single speed rail	\$218	7#
C-SR-30	30" single speed rail	\$239	9#
C-SR-36	36" single speed rail	\$260	10#
C-SR-42	42" single speed rail	\$283	12#
C-SR-48	48" single speed rail	\$303	13#

**DOUBLE SPEED RAILS**

MODEL	DESCRIPTION	LIST	WGT
C-DR-12	12" double speed rail	\$348	9#
C-DR-18	18" double speed rail	\$392	11#
C-DR-24	24" double speed rail	\$434	14#
C-DR-30	30" double speed rail	\$479	16#
C-DR-36	36" double speed rail	\$521	18#
C-DR-42	42" double speed rail	\$564	21#
C-DR-48	48" double speed rail	\$606	24#

**CONDIMENT DISPENSER** Stainless steel condiment dispenser with hinged plexi-glass lid and six 16 oz. plastic cups.

CCD	Condiment dispenser	\$220	5#
-----	---------------------	-------	----

**ACCESSORIES FOR 19" DEEP (A) ICE BINS**

**ICE BIN COVERS** Two-piece sliding stainless steel. Ice bins intended to store potable ice must be ordered with an ice bin cover to maintain the sanitation listing. If bottle wells are ordered, deduct 6" from cover length for one bottle well and 12" for two bottle wells.

MODEL	DESCRIPTION	LIST	WGT	MODEL	DESCRIPTION	LIST	WGT
IBCA-12	12"w ice bin cover - 19"d (A) ice bin	\$78	4#	IBCB-12	12"w ice bin cover - 24"d (B) ice bin	\$97	5#
IBCA-18	18"w ice bin cover - 19"d (A) ice bin	\$112	5#	IBCB-18	18"w ice bin cover - 24"d (B) ice bin	\$140	6#
IBCA-24	24"w ice bin cover - 19"d (A) ice bin	\$146	7#	IBCB-24	24"w ice bin cover - 24"d (B) ice bin	\$182	8#
IBCA-30	30"w ice bin cover - 19"d (A) ice bin	\$182	8#	IBCB-30	30"w ice bin cover - 24"d (B) ice bin	\$228	10#
IBCA-36	36"w ice bin cover - 19"d (A) ice bin	\$245	9#	IBCB-36	36"w ice bin cover - 24"d (B) ice bin	\$304	11#
IBCA-42	42"w ice bin cover - 19"d (A) ice bin	\$292	10#	IBCB-42	42"w ice bin cover - 24"d (B) ice bin	\$364	13#
IBCA-48	48"w ice bin cover - 19"d (A) ice bin	\$325	12#	IBCB-48	48"w ice bin cover - 24"d (B) ice bin	\$413	15#

**BOTTLE WELLS** For use with potable ice. May be positioned left or right inside cocktail ice bin. If two are ordered, they are positioned one at each side

BW3	3 bottle well for 19"d (A) ice bin	\$73	4#	BW4	4 bottle rack for 24"d (B) ice bin	\$140	5#
-----	------------------------------------	------	----	-----	------------------------------------	-------	----

**BOTTLE RACKS** For use with non-potable ice in bottle storage ice bin. Only fit in 12" long and larger ice bins. One rack may be ordered for each 6" of ice bin length. Not for use with sliding cover.

BR3	Bottle rack for 19"d (A) ice bin	\$70	3#	BR4	4 bottle rack for 24"d (B) ice bin	\$86	4#
-----	----------------------------------	------	----	-----	------------------------------------	------	----

**ICE BIN DIVIDERS** Stainless steel panel placed inside the ice bin front-to-back to separate different types of ice.

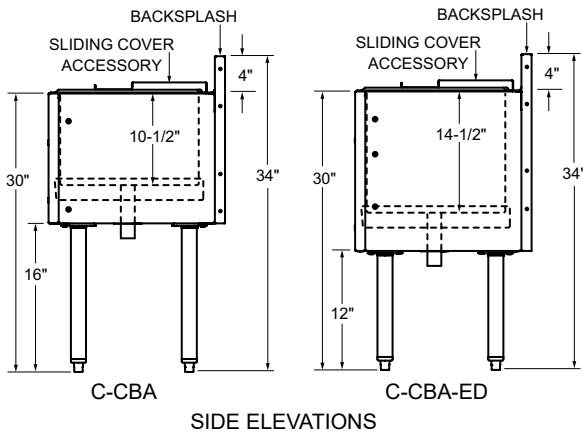
IBD-H-A	Ice bin divider for 19"d (A) ice bin	\$112	4#	IBD-H-B	Ice bin divider for 24"d (B) ice bin	\$143	4#
IBD-H-A-ED	Ice Bin divider for 19"d (A) extra deep ice bin	\$131	4#				

Bar Fabrication - Choice



C-CBA-36L

NOTE: Ice bins intended to store potable ice must be ordered with an ice bin cover to maintain the sanitation listing



### PRODUCT INFORMATION

(see C-CB and C-CB-ED Spec Sheets for complete details)

#### STANDARD FEATURES

- All stainless steel construction
- PVC plastic breaker strip around ice bin liner acts as a thermal barrier to prevent heat transfer
- Extra deep ice bins have 14-1/2" deep liner for extra ice capacity
- Adjustable thermoplastic bullet feet
- Backsplash is an open channel to provide access for beverage lines

#### What is a cold plate?

Choice ice bins 24" wide and larger are available with a 10-circuit cold plate built into the bottom liner. A cold plate is an aluminum block with ten stainless steel lines or circuits molded within. Soda lines are attached by the soda vendor to the input and output lines of the cold plate and the soda water and syrup are chilled as they pass through the lines. A cold plate is recommended for ice bins used to make cocktails.

### 19" DEEP COMBO ICE BINS\*

MODEL	LIST	LTH	WGT	ICE CAPACITY	BOTTLES STORED
C-CBA-36L or R	\$2,933	36"	100#	67#	6
C-CBA-42L or R	\$3,113	42"	110#	84#	6
C-CBA-48L or R	\$3,293	48"	120#	100#	6
C-CBA-48	\$3,763	48"	120#	67#	12

### WITH 10-CIRCUIT COLD PLATE

C-CBA-30L3 or R3-CP10*	\$4,731	30"	160#	67#	3
C-CBA-36L or R-CP10	\$4,886	36"	170#	67#	6
C-CBA-42L or R-CP10	\$5,132	42"	180#	84#	6
C-CBA-48L or R-CP10	\$5,451	48"	200#	100#	6
C-CBA-48-CP10	\$5,795	48"	200#	67#	12

### EXTRA DEEP COMBO ICE BINS WITH 10-CIRCUIT COLD PLATE\*

C-CBA-30L3 or R3-CP10-ED	\$5,059	30"	170#	92#	3
C-CBA-36L or R-CP10-ED	\$5,214	36"	180#	92#	6
C-CBA-42L or R-CP10-ED	\$5,495	42"	190#	116#	6
C-CBA-48L or R-CP10-ED	\$5,848	48"	210#	139#	6
C-CBA-48-CP10-ED	\$6,205	48"	210#	92#	12

\*NOTE: These ice bin models are manufactured to order and are not returnable

### COMBO ICE BIN ACCESSORIES

#### SINGLE SPEED RAILS

MODEL	DESCRIPTION	LIST	WGT
C-SR-30	30" single speed rail	\$239	9#
C-SR-36	36" single speed rail	\$260	10#
C-SR-42	42" single speed rail	\$283	12#
C-SR-48	48" single speed rail	\$303	13#

#### DOUBLE SPEED RAILS

C-DR-30	30" double speed rail	\$479	16#
C-DR-36	36" double speed rail	\$521	18#
C-DR-42	42" double speed rail	\$564	21#
C-DR-48	48" double speed rail	\$606	24#

**CONDIMENT DISPENSER** Stainless steel condiment dispenser with hinged plexi-glass lid and six 16 oz. plastic cups.

CCD	Condiment dispenser	\$220	5#
-----	---------------------	-------	----

**ICE BIN COVERS** Two-piece sliding stainless steel. Ice bins intended to store potable ice must be ordered with an ice bin cover to maintain the sanitation listing.

IBCA-24	24"w ice bin cover for C-CBA-30, C-CBA-36, or C-CBA-48	\$146	7#
IBCA-30	30"w ice bin cover for C-CBA-42	\$182	8#
IBCA-36	36"w ice bin cover for C-CBA-48L or R	\$245	9#

**BOTTLE RACK** Vinyl-coated wire racks placed inside the bottle well to assist with holding pour and store bottles. Each combo ice bin bottle well may hold two BR3 bottle racks. NOTE: BR3 does not fit in C-CBA-30.

BR3	Bottle rack for 19"d (A) ice bin	\$70	3#
-----	----------------------------------	------	----

**ICE BIN DIVIDERS** Stainless steel panel placed inside the ice bin front-to-back to separate different types of ice.

IBD-H-A	Ice bin divider for 19"d (A) ice bin	\$112	4#
IBD-H-A-ED	Ice bin divider for 19"d (A) extra deep ice bin	\$131	4#



C-IB-38X24

A 24" wide by 38" deep pass-thru ice bin is used to provide the cocktail servers with access to the ice. Pass-thru ice bins have the same features as standard ice bins, except there is no backsplash and the optional sliding cover is double sided. The bartender side of the ice bin lines up with the underbar equipment the same as a standard ice bin. The 38" deep dimension also allows a pass-thru ice bin to line up with back-to-back mounted underbar equipment (see sample drawings).

### PASS THRU ICE BIN

<u>MODEL</u>	<u>LIST</u>	<u>WGT</u>	<u>ICECAPACITY</u>
C-IB-38X24*	\$3,315	100#	175#
<b>WITH 10-CIRCUIT COLD PLATE</b>			
C-IB-38X24-CP10	\$5,042	190#	175#

\*NOTE: This model is manufactured to order and is not returnable

NOTE: Ice bins intended to store potable ice must be ordered with an ice bin cover to maintain the sanitation listing

### PRODUCT INFORMATION

(see CB-IB-38x24 Spec Sheet for complete details)

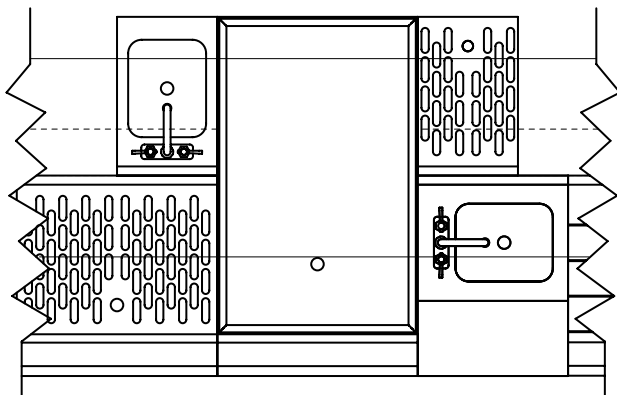
#### STANDARD FEATURES

- For pass thru design applications allowing both bartender and cocktail server access
- All stainless steel construction
- PVC plastic breaker strip around ice bin liner acts as a thermal barrier to prevent heat transfer
- Adjustable thermoplastic bullet feet

### PASS THRU ICE BIN ACCESSORIES

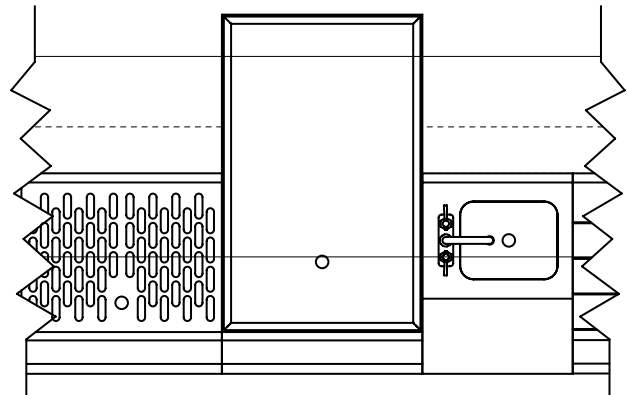
<u>MODEL</u>	<u>DESCRIPTION</u>	<u>LIST</u>	<u>WGT</u>
C-SR-24	24" single speed rail	\$218	7#
C-DR-24	24" double speed rail	\$434	14#
C-IBC-38X24	Three-piece sliding stainless steel cover	\$417	14#
C-BW6-38X24	Set of two BW3 bottle wells with four-piece stainless steel sliding cover for C-IB-38X24	\$504	20#
CCD	Condiment dispenser, stainless steel with hinged plexi-glass lid and six 16 oz. cups	\$220	5#
IBD-H-P	Ice bin divider for C-IB-38X24	\$187	4#
IBD-H-P-CP	Ice bin divider for C-IB-38X24-CP10	\$201	4#
IBD-H-P-LR	Ice bin divider, left to right, for C-IB-38X24	\$143	4#

Bar Fabrication - Choice



BARTENDER SIDE

Underbar Plan View with Pass-Thru Ice Bin and Back-to-Back Mounted Underbar



BARTENDER SIDE

Underbar Plan View with Pass-Thru Ice Bin

Patented. For more information visit:  
<https://www.glastender.com/patents>



C-SHA-6

**19" DEEP SODA GUN HOLDERS**

MODEL	LIST	LENGTH	WEIGHT
C-SHA-4	\$807	4"	22#
C-SHA-4-ED	\$858	4"	24#
C-SHA-6	\$846	6"	25#
C-SHA-6-ED	\$903	6"	27#

**24" DEEP SODA GUN HOLDERS**

C-SHB-4	\$856	4"	22#
C-SHB-4-ED*	\$918	4"	24#
C-SHB-6	\$895	6"	25#
C-SHB-6-ED*	\$961	6"	27#

**38" DEEP PASS THRU SODA GUN HOLDERS**

C-SHP-4*	\$1,293	4"	32#
C-SHP-4-ED*	\$1,379	4"	34#
C-SHP-6*	\$1,369	6"	35#
C-SHP-6-ED*	\$1,461	6"	37#

\*NOTE: These items are manufactured to order and are not returnable

**PRODUCT INFORMATION**

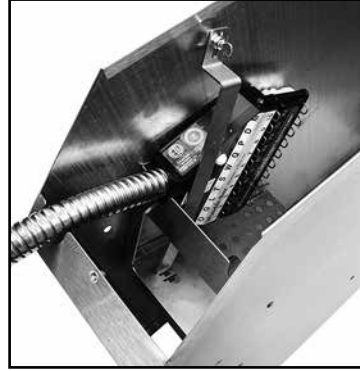
(see C-SH Spec Sheet for complete details)

**STANDARD FEATURES**

- All stainless steel construction
- Designed to house the manifold of Wunder-Bar® or Schroeder America™ 8 to 14 button soda guns
- Includes integral drip pan with radius corners for easy cleaning
- Built-in holder for soda gun
- Top cover is removable for access to the soda manifold
- Allows you to dictate the soda gun location
- Eliminates the need for tubing bundles above the work surface
- Designed to mount to at least one other piece of underbar equipment (there is no provision for leg mounting)
- Pre-aligned mounting holes and bolts ensure a secure and exact fit when mounting adjoining units
- Extra deep “-ED” models available to align with extra-deep style ice bins



C-SMHA-6



C-SMHA-6 with top cover removed and soda manifold installed

\*NOTE: These items are manufactured to order and are not returnable

### PRODUCT INFORMATION

(see C-SMH Spec Sheet for complete details)

#### STANDARD FEATURES

- All stainless steel construction
- Designed to house the manifold of Wunder-Bar® or Schroeder America™ 8 to 14 button soda guns
- Once installed, the top of the housing is 34" high
- Top cover is removable for access to the soda manifold
- Eliminates the need for tubing bundles above the work surface
- Mounts to an adjacent piece of Choice underbar (there is no provision for leg mounting)
- The soda gun drip cup supplied by the soda gun manufacturer mounts to the underside of your bar top
- Extra deep "-ED" models available to align with extra-deep style ice bins

#### 19" DEEP SODA MANIFOLD HOUSINGS

MODEL	LIST	LENGTH	WEIGHT
C-SMHA-4	\$539	4"	20#
C-SMHA-4-ED*	\$579	4"	22#
C-SMHA-6*	\$578	6"	23#
C-SMHA-6-ED*	\$622	6"	25#

#### 24" DEEP SODA MANIFOLD HOUSINGS

C-SMHB-4*	\$573	4"	24#
C-SMHB-4-ED*	\$643	4"	26#
C-SMHB-6*	\$613	6"	28#
C-SMHB-6-ED*	\$689	6"	30#

#### 38" DEEP PASS THRU MANIFOLD HOUSING

C-SMHP-4*	\$906	4"	35#
C-SMHP-4-ED*	\$984	4"	37#
C-SMHP-6*	\$976	6"	38#
C-SMHP-6-ED*	\$1,057	6"	40#



UMGH



#### UNDERCOUNTER MOUNT GUN HOLDER

MODEL	LIST	WGT
UMGH	\$157	3#

14 gauge stainless steel with rubber grommet and plastic drip pan. Grommet is specially sized to properly hold both Wunder-Bar® and Schroeder America™ style soda guns. Includes 10' of drain line tube.

# Choice Tubing Chases\*



C-TCA

\*NOTE: Choice Tubing Chases are manufactured to order and are not returnable

### PRODUCT INFORMATION

(see C-TC Spec Sheet for complete details)

#### STANDARD FEATURES

- All stainless steel construction
- Tubing chase is 5-1/2" x 6" x 4" high
- Mounts between adjacent underbar equipment (there is no provision for leg mounting)
- Can be set in place after beverage lines are installed

#### TUBING CHASES

MODEL	LIST	LENGTH	DEPTH	WEIGHT
C-TCA	\$557	6"	19"	20#
C-TCB	\$632	6"	24"	24#



C-BSA-12

## PRODUCT INFORMATION

(see C-BS and C-FBS Spec Sheets for complete details)

### STANDARD FEATURES

- All stainless steel construction
- One-piece seamless top and backsplash
- Adjustable thermoplastic bullet feet
- Sink models have 9-1/4" by 11-1/2" by 6" deep sink bowl with hot and cold water faucet.
- Blender shelf features radius interior corners for easy cleaning
- Power cord access hole with grommet located on front skirt, behind the blender
- 24" deep models have a 9" deep shelf
- 29" deep models have a 10" deep shelf
- Junction box for duplex GFI outlet mounted underneath blender shelf (outlet not included)



C-FBSA-12

### 24" DEEP BLENDER STATIONS

MODEL	LIST	LENGTH	WEIGHT
C-BSA-12	\$1,915	12"	48#
C-BSA-14	\$1,895	14"	50#
C-BSA-18L †*	\$1,976	18"	55#
C-BSA-18R †*	\$1,976	18"	55#

### 29" DEEP BLENDER STATIONS

C-BSB-12*	\$2,025	12"	53#
C-BSB-14*	\$2,066	14"	55#
C-BSB-18*	\$2,160	18"	60#

† Denotes faucet location as left or right

### 24" DEEP FILLER BOARD BLENDER STATIONS

MODEL	LIST	LENGTH	WEIGHT
C-FBSA-12*	\$1,047	12"	40#
C-FBSA-14*	\$1,077	14"	42#
C-FBSA-18*	\$1,156	18"	45#

### 29" DEEP FILLER BOARD BLENDER STATIONS

C-FBSB-12*	\$1,115	12"	45#
C-FBSB-14*	\$1,154	14"	47#
C-FBSB-18*	\$1,236	18"	50#

\*NOTE: These blender stations are manufactured to order and are not returnable

Bar Fabrication - Choice



Optional foot-operated faucets

- |              |              |
|--------------|--------------|
| <b>FOF-B</b> | <b>FOF-D</b> |
| • C-BSA-12   | • C-BSA-14   |
|              | • C-BSA-18L  |
|              | • C-BSA-18R  |
|              | • C-BSB-12   |
|              | • C-BSB-14   |
|              | • C-BSB-18   |



C-BBS-12

Additional blender shelf space can be added to standard underbar units by specifying a Choice Bolt-on Blender Shelf. Choice Bolt-on Blender Shelves are 10" deep and include a junction box for duplex outlet (outlet not included) mounted below the shelf.

### CHOICE BOLT-ON BLENDER SHELVES

MODEL	DESCRIPTION	LIST	WGT
C-BBS-12	12" bolt-on blender shelf	\$334	12#
C-BBS-18	18" bolt-on blender shelf	\$361	18#

### CONFIGURABLE OPTIONS

MODEL	DESCRIPTION	LIST	WGT
FOF-B	Convert C-BSA-12 to foot-operated backsplash faucet	\$633	3#
FOF-D	Convert C-BSA-14, C-BSA-18L, C-BSA-18R, C-BSB-12, C-BSB-14, and C-BSB-18 to foot-operated deck faucet	\$483	3#

### ACCESSORIES

MODEL	DESCRIPTION	LIST	WGT
03000483	Wet waste sink strainer	\$63	1#
C-LS15-F	Left side splash for 24"d blender station	\$171	4#
C-RS15-F	Right side splash for 24"d blender station	\$171	4#
C-LSA-F	Left side splash for 29"d blender station	\$171	4#
C-RSA-F	Right side splash for 29"d blender station	\$171	4#
TR	Towel ring	\$23	1#

**WARNING:** The plastic wet waste strainer included with this product can expose you to chemicals including Bisphenol A (BPA), which is known to the State of California to cause birth defects or other reproductive harm. For more information, go to [www.P65Warnings.ca.gov](http://www.P65Warnings.ca.gov). **Warning applies to State of California only.** Part #03000483



C-FBB-24

**PRODUCT INFORMATION**

(see C-FB Spec Sheet for complete details)

**STANDARD FEATURES**

- All stainless steel construction
- Adjustable thermoplastic bullet feet
- One-piece seamless top and backsplash

Choice Filler Boards are constructed of all stainless steel and include a flat work surface for situations where a draining work surface is not desired. Filler boards are not typically used for glass storage, but are more commonly used as a place to set a printer, POS system, or cash drawer.

**19" DEEP FILLER BOARDS**

MODEL	LIST	LENGTH	WEIGHT
C-FBA-18	\$1,007	18"	40#
C-FBA-24	\$1,098	24"	45#

**24" DEEP FILLER BOARDS**

C-FBB-18	\$1,127	18"	45#
C-FBB-24	\$1,243	24"	50#

\*NOTE: Filler boards are manufactured to order and are not returnable

**FILLER BOARD ACCESSORIES**

MODEL	DESCRIPTION	LIST	WGT
C-SR-18	18" single speed rail	\$198	6#
C-SR-24	24" single speed rail	\$218	7#
C-DR-18	18" double speed rail	\$392	11#
C-DR-24	24" double speed rail	\$434	14#
C-LSA-F	Left side splash for C-FBA models	\$171	4#
C-RSA-F	Right side splash for C-FBA models	\$171	4#
C-LSB-F	Left side splash for C-FBB models	\$200	5#
C-RSB-F	Right side splash for C-FBB models	\$200	5#



C-RBD-18

**PRODUCT INFORMATION**

(see C-RDB Spec Sheet for complete details)

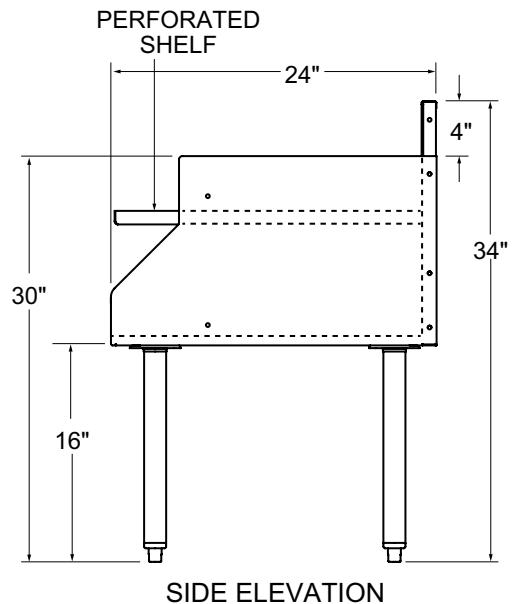
**STANDARD FEATURES**

- All stainless steel construction
- Adjustable thermoplastic bullet feet
- One-piece seamless top and backsplash featuring 1/4" radius corners for easy cleaning
- Corrugated work surface
- Lift-out stainless steel perforated shelf for stacking glassware

\*NOTE: Recessed drainboards are manufactured to order and are not returnable

**RECESSED DRAINBOARDS**

MODEL	LIST	LENGTH	WEIGHT
C-RDB-12	\$1,180	12"	50#
C-RDB-18	\$1,298	18"	55#
C-RDB-24	\$1,423	24"	60#



SIDE ELEVATION

Recessed drainboards have the same corrugated work surface as normal drainboards except the work surface has been lowered to allow stacking of glassware. A perforated shelf is placed on top of the first level of glassware and a second layer of glassware is stacked on top of it. Recessed drainboards work best when only one style of glassware is being stored.





C-DBB-12

**PRODUCT INFORMATION**

(see C-DB Spec Sheet for complete details)

**STANDARD FEATURES**

- All stainless steel construction
- Adjustable thermoplastic bullet feet
- Corrugated work surface
- One-piece seamless top and backsplash featuring 1/4" radius corners for easy cleaning
- Standard models available in 6" incremental lengths from 12" to 48"
- 24" deep models provide a larger drainboard storage area not just a deck extension on the back of the 19" deep model

**19" DRAINBOARDS**

MODEL	LIST	LENGTH	WEIGHT
C-DBA-12	\$936	12"	45#
C-DBA-18	\$1,008	18"	50#
C-DBA-24	\$1,082	24"	55#
C-DBA-30*	\$1,154	30"	60#
C-DBA-36*	\$1,229	36"	65#
C-DBA-42*	\$1,301	42"	70#
C-DBA-48*	\$1,374	48"	75#

**24" DRAINBOARDS**

C-DBB-12	\$1,005	12"	50#
C-DBB-18	\$1,086	18"	55#
C-DBB-24	\$1,170	24"	60#
C-DBB-30*	\$1,253	30"	65#
C-DBB-36*	\$1,336	36"	70#
C-DBB-42*	\$1,422	42"	75#
C-DBB-48*	\$1,503	48"	80#

**DRAINBOARD ACCESSORIES**

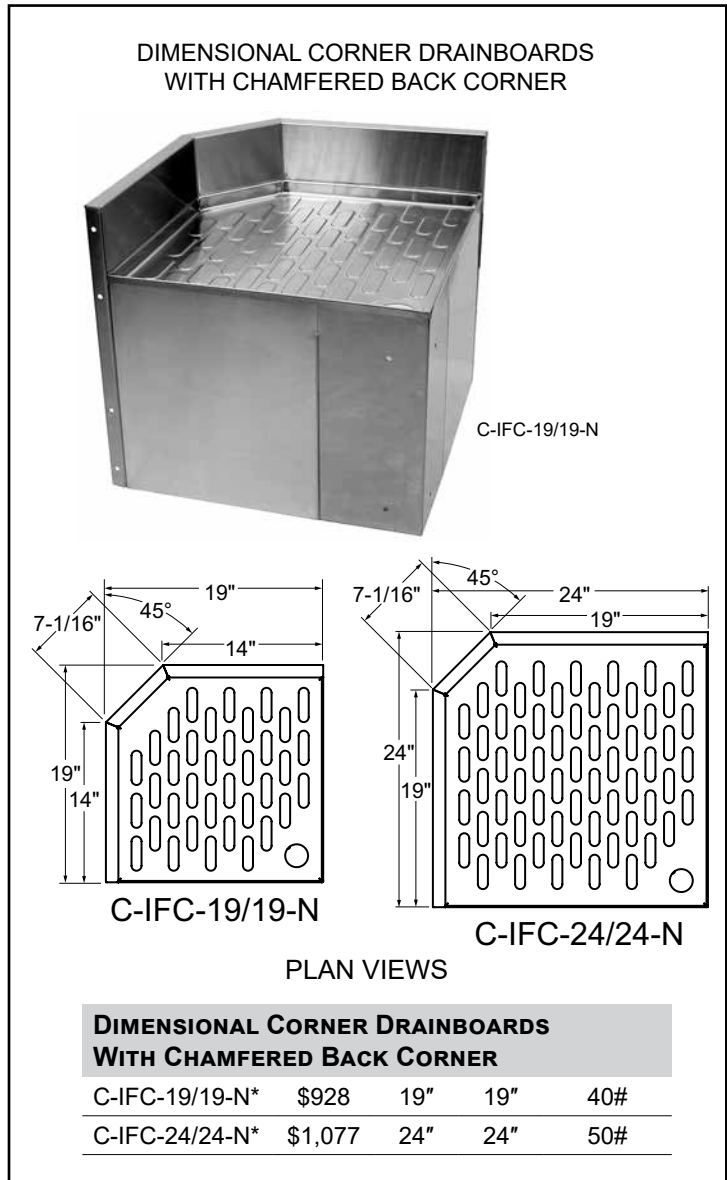
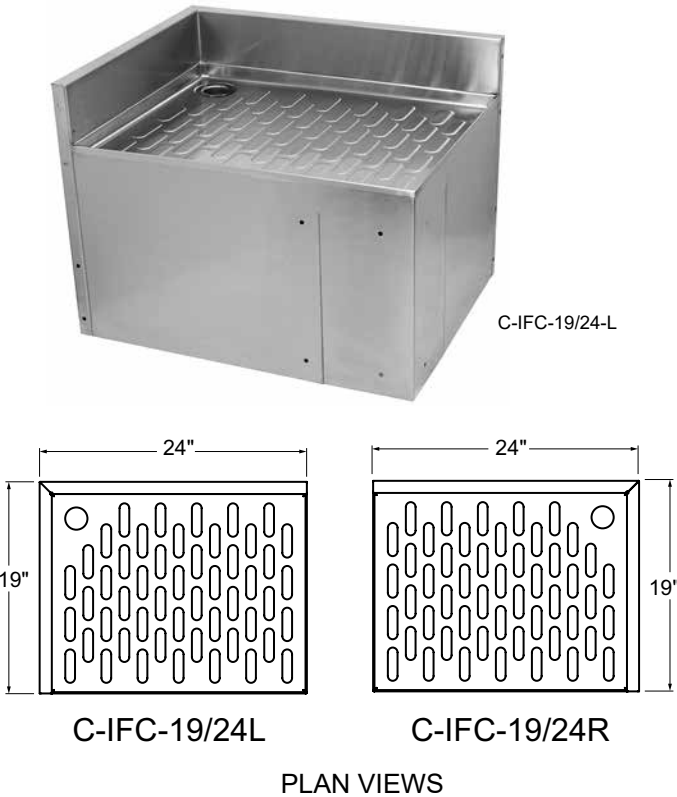
MODEL	DESCRIPTION	LIST	WEIGHT
C-SR-12	12" single speed rail	\$177	5#
C-SR-18	18" single speed rail	\$198	6#
C-SR-24	24" single speed rail	\$218	7#
C-SR-30	30" single speed rail	\$239	9#
C-SR-36	36" single speed rail	\$260	10#
C-SR-42	42" single speed rail	\$283	12#
C-SR-48	48" single speed rail	\$303	13#
C-DR-12	12" double speed rail	\$348	9#
C-DR-18	18" double speed rail	\$392	11#
C-DR-24	24" double speed rail	\$434	14#
C-DR-30	30" double speed rail	\$479	16#
C-DR-36	36" double speed rail	\$521	18#
C-DR-42	42" double speed rail	\$564	21#
C-DR-48	48" double speed rail	\$606	24#
C-LSA-D	Left side splash for C-DBA models	\$171	4#
C-RSA-D	Right side splash for C-DBA models	\$171	4#
C-LSB-D	Left side splash for C-DBB models	\$200	5#
C-RSB-D	Right side splash for C-DBB models	\$200	5#

\*NOTE: These items are manufactured to order and are not returnable

Dimensional Full Corner Drainboards are for 90° inside turns only. The dimensions of the corner are specified in the model number. If the dimensions of each side are not the same, the longest dimension is specified second along with its location.

Corner drainboards are designed to mount between two pieces of Choice underbar. However, corner drainboards can be used to mount between any two stable vertical surfaces. Corners should not be mounted to objects that are mobile or on casters.

Because they are intended to mount between two vertical surfaces, corner drainboards do not come with legs. If one side of the corner does not have a vertical surface on which to mount, then a leg set must be ordered as an accessory.



Bar Fabrication - Choice

DIMENSIONAL CORNER DRAINBOARDS WITH CHAMFERED BACK CORNER				
C-IFC-19/19-N*	\$928	19"	19"	40#
C-IFC-24/24-N*	\$1,077	24"	24"	50#

DIMENSIONAL CORNER DRAINBOARDS				
MODEL	LIST	LEFT	RIGHT	WEIGHT
C-IFC-19/19*	\$928	19"	19"	40#
C-IFC-19/24L*	\$1,000	24"	19"	45#
C-IFC-19/24R*	\$1,000	19"	24"	45#
C-IFC-19/30L*	\$1,086	30"	19"	50#
C-IFC-19/30R*	\$1,086	19"	30"	50#
C-IFC-24/24	\$1,077	24"	24"	50#
C-IFC-24/30L	\$1,173	30"	24"	55#
C-IFC-24/30R	\$1,173	24"	30"	55#

**PRODUCT INFORMATION**  
(see C-IFC Spec Sheet for complete details)

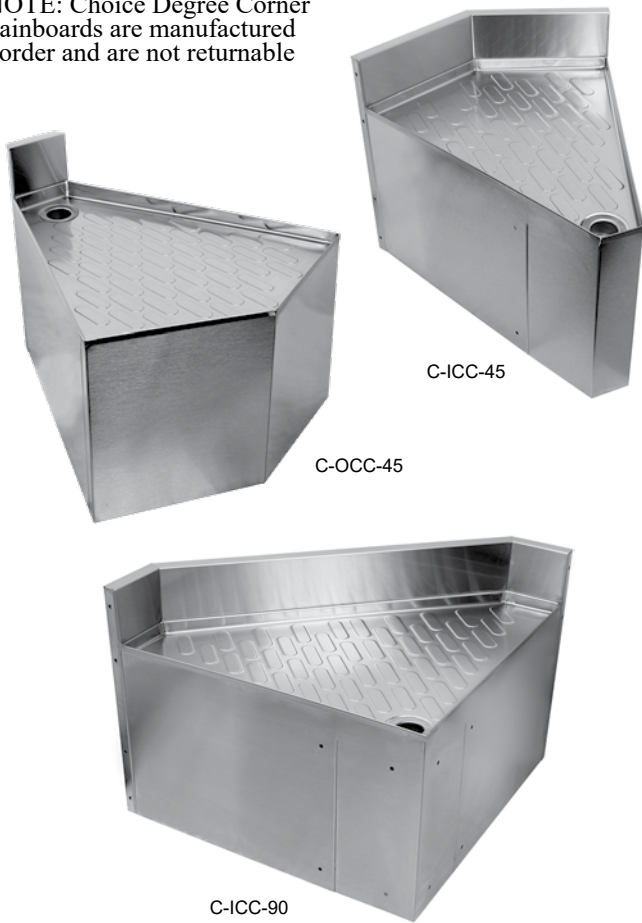
**STANDARD FEATURES**

- All stainless steel construction
- Designed to mount between two adjacent pieces of Choice underbar equipment
- Corrugated work surface features 1/4" radius corners for easy cleaning

DIMENSIONAL CORNER DRAINBOARD ACCESSORY			
MODEL	DESCRIPTION	LIST	WEIGHT
C-ULEG-2	Set of two legs for Choice underbar	\$128	6#

\*NOTE: These items are manufactured to order and are not returnable

\*NOTE: Choice Degree Corner Drainboards are manufactured to order and are not returnable



Degree corner drainboards are all 24" deep and designed to mount between two pieces of Choice underbar. However, corner drainboards can be used to mount between any two stable vertical surfaces. Corners should not be mounted to objects that are mobile or on casters.

Because they are intended to mount between two vertical surfaces, corner drainboards do not come with legs. If one side of the corner does not have a vertical surface on which to mount, then a leg set must be ordered as an accessory.

### PRODUCT INFORMATION

(see C-ICC and C-OCC Spec Sheets for complete details)

### STANDARD FEATURES

- All stainless steel construction
- Designed to mount between two adjacent pieces of Choice underbar equipment
- Corrugated work surface features 1/4" radius corners for easy cleaning

### 24" DEEP DEGREE CORNER DRAINBOARDS

MODEL	LIST	DEGREE	TURN	WEIGHT
C-ICC-45	\$985	45°	Inside	38#
C-ICC-90	\$1,058	90°	Inside	45#
C-OCC-45	\$1,077	45°	Outside	40#

### DEGREE CORNER DRAINBOARD ACCESSORY

MODEL	DESCRIPTION	LIST	WEIGHT
C-ULEG-2	Set of two legs for Choice underbar	\$128	6#

# Choice Corner Filler Boards\*

\*NOTE: Choice Corner Filler Boards are manufactured to order and are not returnable



Corner filler boards are all 24" deep and available for small degree inside turns. Corner filler boards are designed to mount between two pieces of Choice underbar. However, corner filler boards can be used to mount between any two stable vertical surfaces. Corners should not be mounted to objects that are mobile or on casters.

Because they are small and intended to mount between two vertical surfaces, corner filler boards do not come with legs or have optional legs available. If one side of the flat top corner filler does not have a vertical surface on which to mount, the end user must ensure the one adjoining surface is secure and stable.

### 24" DEEP CORNER FILLER BOARDS

MODEL	LIST	DEGREE	WEIGHT
C-FIB-5	\$486	5°	25#
C-FIB-10	\$498	10°	27#
C-FIB-15	\$545	15°	29#
C-FIB-20	\$567	20°	31#
C-FIB-25	\$587	25°	33#
C-FIB-30	\$609	30°	35#

### PRODUCT INFORMATION

(see C-FIB Spec Sheet for complete details)

### STANDARD FEATURES

- All stainless steel construction
- Designed to mount between two adjacent pieces of Choice underbar equipment

Glassracks are designed to hold racks of glassware stacked on top of each other. The 24" wide model holds 20" by 20" racks and the 18" wide models hold the 16" round racks used with the Glastender GT-18 glasswashers. Optional shelves are available as an accessory.

### PRODUCT INFORMATION

(see C-GR Spec Sheet for complete details)

#### STANDARD FEATURES

- All stainless steel construction
- Adjustable thermoplastic bullet feet
- Full bottom shelf includes drain

\*NOTE: Choice Open Glassracks are manufactured to order and are not returnable



C-GRA-24



24" SHELF

#### 19" DEEP OPEN GLASSRACKS

MODEL	LIST	LENGTH	WEIGHT
C-GRA-18	\$1,415	18"	55#
C-GRA-24	\$1,508	24"	65#

#### 24" DEEP OPEN GLASSRACKS

C-GRB-18	\$1,618	18"	65#
C-GRB-24	\$1,724	24"	75#

#### OPEN GLASSRACK ACCESSORY

MODEL	DESCRIPTION	LIST	WEIGHT
03013601	Shelf kit for 18" wide model, includes two shelves and eight clips	\$347	7#
03013602	Shelf kit for 24" wide model, includes two shelves and eight clips	\$375	8#

# Choice Drainboard Glassracks



C-DBG3-24

Drainboard Glassracks are designed to hold racks for glassware. All models are 24" deep. The 24" wide model holds 20" by 20" racks and the 18" wide model holds the 16" round racks used with Glastender GT-18 glasswashers.

### PRODUCT INFORMATION

(see C-DBG Spec Sheet for complete details)

#### STANDARD FEATURES

- All stainless steel construction
- Adjustable thermoplastic bullet feet
- One-piece seamless top and backsplash featuring 1/4" radius corners for easy cleaning
- Corrugated work surface
- Includes bottom floor and two sets of rack slides for storing up to three glass racks below the work surface

NOTE: Three racks up to 7" high or two racks up to 10-1/2" high.

#### 24" DEEP DRAINBOARD GLASSRACKS

MODEL	LIST	LENGTH	WEIGHT
C-DBG3-18	\$1,523	18"	70#
C-DBG3-24	\$1,685	24"	80#

#### DRAINBOARD GLASSRACK ACCESSORIES

MODEL	DESCRIPTION	LIST	WGT
C-LSB-D	Left side splash for 24"d (B) models	\$200	5#
C-RSB-D	Right side splash for 24"d (B) models	\$200	5#

Drainboard Cabinets have a bottom shelf and drainboard work surface. An adjustable intermediate shelf is available as an accessory. They are available with or without doors. The models with doors come with a lock standard. The 12", 18", and 24" wide models only have one door and all other models have two doors.



C-DBC-24

### 19" DRAINBOARD CABINETS\*

MODEL	LIST	LENGTH	WEIGHT
C-DBCA-12	\$1,644	12"	65#
C-DBCA-18	\$1,841	18"	75#
C-DBCA-24	\$2,037	24"	85#
C-DBCA-30	\$2,366	30"	95#
C-DBCA-36	\$2,560	36"	105#
C-DBCA-42	\$2,757	42"	115#
C-DBCA-48	\$2,954	48"	125#

### 19" DRAINBOARD CABINETS LESS DOORS\*

C-DBCA-12-LD	\$1,188	12"	59#
C-DBCA-18-LD	\$1,314	18"	66#
C-DBCA-24-LD	\$1,441	24"	73#
C-DBCA-30-LD	\$1,568	30"	80#
C-DBCA-36-LD	\$1,695	36"	87#
C-DBCA-42-LD	\$1,821	42"	94#
C-DBCA-48-LD	\$1,947	48"	101#

### 24" DRAINBOARD CABINETS

C-DBC-12	\$1,639	12"	75#
C-DBC-18	\$1,837	18"	85#
C-DBC-24	\$2,036	24"	95#
C-DBC-30*	\$2,359	30"	105#
C-DBC-36*	\$2,557	36"	115#
C-DBC-42*	\$2,755	42"	125#
C-DBC-48*	\$2,955	48"	135#

### 24" DRAINBOARD CABINETS LESS DOORS

C-DBC-12-LD	\$1,210	12"	69#
C-DBC-18-LD	\$1,345	18"	76#
C-DBC-24-LD	\$1,480	24"	83#
C-DBC-30-LD*	\$1,614	30"	90#
C-DBC-36-LD*	\$1,746	36"	97#
C-DBC-42-LD*	\$1,879	42"	104#
C-DBC-48-LD*	\$2,016	48"	111#

\*NOTE: These items are manufactured to order and are not returnable

### PRODUCT INFORMATION

(see C-DBC Spec Sheet for complete details)

#### STANDARD FEATURES

- All stainless steel construction
- Adjustable thermoplastic bullet feet
- One-piece seamless top and backsplash featuring 1/4" radius corners for easy cleaning
- Corrugated work surface
- Lock(s) standard on models with a door(s)
- Units with a single door come hinged left, but the door is field reversible
- Plumbing connection is made underneath the unit and does not interfere with shelf or floor

#### DRAINBOARD CABINET ACCESSORIES

MODEL	DESCRIPTION	LIST	WEIGHT
03013585	Shelf kit for C-DBCA-12	\$120	5#
03013586	Shelf kit for C-DBCA-18	\$145	6#
03013587	Shelf kit for C-DBCA-24	\$169	7#
03013588	Shelf kit for C-DBCA-30	\$197	8#
03013589	Shelf kit for C-DBCA-36	\$218	10#
03013590	Shelf kit for C-DBCA-42	\$245	11#
03013591	Shelf kit for C-DBCA-48	\$270	12#
03013592	Shelf kit for C-DBC-12	\$138	5#
03013593	Shelf kit for C-DBC-18	\$168	7#
03013594	Shelf kit for C-DBC-24	\$202	8#
03013595	Shelf kit for C-DBC-30	\$235	10#
03013596	Shelf kit for C-DBC-36	\$268	12#
03013597	Shelf kit for C-DBC-42	\$300	13#
03013598	Shelf kit for C-DBC-48	\$332	15#
C-LSA-D	Left side splash for 19"d (A) models	\$171	4#
C-RSA-D	Right side splash for 19"d (A) models	\$171	4#
C-LSB-D	Left side splash for 24"d (B) models	\$200	5#
C-RSB-D	Right side splash for 24"d (B) models	\$200	5#



C-HSA-12-D

### 19" DEEP HAND SINKS

MODEL	LIST	LENGTH	WEIGHT
C-HSA-12	\$1,693	12"	45#
C-HSA-12-D	\$2,017	12"	50#

### 19" DEEP WET WASTE SINK

C-SWA-12	\$1,756	12"	47#
----------	---------	-----	-----

### 24" DEEP HAND SINKS

C-HSB-12	\$1,786	12"	50#
C-HSB-12-D	\$2,116	12"	55#

### 24" DEEP WET WASTE SINK

C-SWB-12	\$1,849	12"	52#
----------	---------	-----	-----

### CONFIGURABLE OPTIONS

MODEL	DESCRIPTION	LIST	WEIGHT
C-LSA-D	Left side splash for 19"deep (A) models	\$171	4#
C-RSA-D	Right side splash for 19"deep (A) models	\$171	4#
C-LSB-D	Left side splash for 24"deep (B) models	\$200	5#
C-RSB-D	Right side splash for 24"deep (B) models	\$200	5#
FOF-D	Foot-operated deck faucet for C-HSA-12, C-HSA-12-D, C-HSB-12, C-HSB-12-D, C-SWA-12, and C-SWB-12	\$483	3#



C-LSA-D and C-RSA-D

FOF-D  
Optional foot-operated deck faucet

NOTE: see table for applicable models



### ACCESSORIES

MODEL	DESCRIPTION	LIST	WEIGHT
C-SR-12	12" single speed rail, cannot mount to "-D" models	\$177	5#
C-DR-12	12" double speed rail, cannot mount to "-D" models	\$348	9#
C-DWR-S	Dry waste rail, aligns with single speed rail, cannot mount to "-D" models	\$210	5#
C-DWR-D	Dry waste rail, aligns with double speed rail, cannot mount to "-D" models	\$428	9#
03000483	Wet waste sink strainer (standard on "C-SW" models)	\$63	2#
03000511	Wrist handles, set of two	\$54	2#
TR	Towel ring	\$23	1#
DWC	Trash receptacle, stainless steel	\$561	10#
03005491	Trash receptacle, 28½ qt., gray plastic	\$80	5#
TD-C	Paper towel dispenser, C-fold	\$307	5#
03001873	Liquid soap dispenser, hand-pump	\$88	1#
03014739	Aerator, faucet, 1.5 GPM	\$16	1#
03014738	Aerator, faucet, 0.5 GPM	\$16	1#
03014737	Aerator, faucet, 0.2 GPM	\$16	1#



03000483



TR

### PRODUCT INFORMATION

(see C-HS and C-SW Spec Sheets for complete details)

**WARNING:** The plastic wet waste strainer included with this product can expose you to chemicals including Bisphenol A (BPA), which is known to the State of California to cause birth defects or other reproductive harm. For more information, go to [www.P65Warnings.ca.gov](http://www.P65Warnings.ca.gov). **Warning applies to State of California only.** Part #03000483

All Sink Cabinets are 24" deep and available with or without a locking door. The 12" wide chemical storage cabinet holds three 1-gallon chemical containers. The 18" wide dry waste cabinet holds a trash receptacle and has a 6" round trash chute in the work surface. The trash receptacle is not included.

The two 24" wide models include a 12" drainboard section with corrugated work surface. A vertical center divider allows three 1-gallon chemical containers to be stored below the sink with the other side of the cabinet available for additional storage. An intermediate shelf for the cabinet storage below the drainboard is available as an accessory. The sink may be located to the left or right, which is signified by the L or R in the model number.



C-SC-12



C-SC-18



C-SC-24R

Bar Fabrication - Choice

### 12" WIDE X 24" DEEP SINK CABINETS

MODEL	LIST	LTH	WGT
C-SC-12	\$2,558	12"	70#
C-SC-12-LD	\$2,117	12"	64#

### 18" WIDE X 24" DEEP SINK CABINETS

MODEL	LIST	LTH	WGT
C-SC-18	\$2,717	18"	80#
C-SC-18-LD	\$2,183	18"	71#

### 24" WIDE X 24" DEEP SINK CABINETS

MODEL	LIST	LTH	WGT
C-SC-24L*	\$3,272	24"	95#
C-SC-24R*	\$3,272	24"	95#
C-SC-24L-LD*	\$2,611	24"	83#
C-SC-24R-LD*	\$2,611	24"	83#

\* = L = Sink Left, R = Sink Right

### PRODUCT INFORMATION

(see C-SC Spec Sheet for complete details)

#### STANDARD FEATURES

- Manufactured with total welded construction to meet NSF® standards
- All stainless steel construction
- One-piece seamless top and backsplash featuring 1/4" radius corners for easy cleaning
- Adjustable thermoplastic feet
- 9-1/4" by 11-1/2" by 6" deep sink bowl with hot and cold water gooseneck faucet
- Cabinet base with front hinged access door (available less door - specify "-LD" suffix in model number)

Optional foot-operated faucet

FOF-D

- C-SC-12
- C-SC-12-LD
- C-SC-18
- C-SC-18-LD
- C-SC-24L
- C-SC-24R
- C-SC-24L-LD
- C-SC-24R-LD



### CONFIGURABLE OPTIONS

MODEL	DESCRIPTION	LIST	WEIGHT
C-LSB-D	Left side splash	\$200	5#
C-RSB-D	Right side splash	\$200	5#
FOF-D	Convert to foot-operated deck faucet for C-SC-12, C-SC-12-LD, C-SC-18, C-SC-18-LD, C-SC-24L, C-SC-24R, C-SC-24L-LD, & C-SC-24R-LD models	\$483	3#

### ACCESSORIES

MODEL	DESCRIPTION	LIST	WEIGHT
03000483	Wet waste strainer	\$63	2#
DWC	Trash receptacle, stainless steel, for C-SC-18 models	\$561	10#
03005491	Trash receptacle, 28-1/2 qt, plastic, for C-SC-18 models	\$80	5#
TR	Towel ring	\$23	1#
03013600	Shelf kit for storage area below drainboard on C-SC-24 models	\$174	5#
03000511	Wrist handles (set of two)	\$54	2#

**WARNING:** The plastic wet waste strainer included with this product can expose you to chemicals including Bisphenol A (BPA), which is known to the State of California to cause birth defects or other reproductive harm. For more information, go to [www.P65Warnings.ca.gov](http://www.P65Warnings.ca.gov). **Warning applies to State of California only.** Part #03000483

**All faucets are certified low lead compliant**

## PRODUCT INFORMATION

(see C-Mixology Units Spec Sheet for complete details)

### STANDARD FEATURES

- Manufactured with total welded construction to meet NSF® standards
- All stainless steel construction
- One-piece seamless top and backsplash featuring 1/4" radius corners for easy cleaning
- Adjustable thermoplastic bullet feet (does not include C-MFT-8)

**⚠ WARNING:** The plastic wet waste strainer included with this product can expose you to chemicals including Bisphenol A (BPA), which is known to the State of California to cause birth defects or other reproductive harm. For more information, go to [www.P65Warnings.ca.gov](http://www.P65Warnings.ca.gov). **Warning applies to State of California only.** Part #03000483

### C-MRS-12 MIXOLOGY UNIT

Includes backsplash faucet, push-down rinsing faucet to rinse shaker cans, and a lift-out perforated plastic sink strainer

MODEL	LIST	LTH	WGT
C-MRS-12	\$2,467	12"	55#



C-MRS-12

### C-MFT-20 MIXOLOGY UNIT

Includes backsplash faucet, push-down rinsing faucet to rinse shaker cans, a lift-out perforated plastic sink strainer, a 6" diameter seamless welded draining dipper well and faucet for mixology tools, a 8" x 11" cutting board that is securely mounted but easily removable for cleaning, and an ice scoop well

MODEL	LIST	LTH	WGT
C-MFT-20	\$4,040	20"	65#

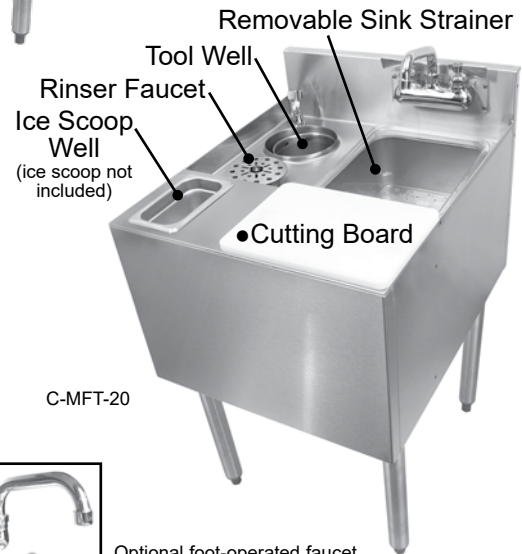


C-MFS-12

### C-MFS-12 MIXOLOGY UNIT\*

Includes backsplash faucet, a lift-out perforated plastic sink strainer, and a 8" x 11" cutting board that is securely mounted but easily removable for cleaning

MODEL	LIST	LTH	WGT
C-MFS-12	\$2,322	12"	55#



C-MFT-20

### C-MFT-8 MIXOLOGY UNIT\*

Includes push-down rinsing faucet to rinse shaker cans, a 6" diameter seamless welded draining dipper well and faucet for mixology tools, and a 7-1/2" x 7-1/2" cutting board that is securely mounted but easily removable for cleaning. NOTE: No legs. Must mount to adjacent under-bar.

MODEL	LIST	LTH	WGT
C-MFT-8	\$2,481	8"	40#



C-MFT-8



Optional foot-operated faucet  
FOF-B  
• C-MRS-12 • C-MTS-14  
• C-MFS-12 • C-MFT-20

### CONFIGURABLE OPTIONS

MODEL	DESCRIPTION	LIST	WGT
C-LSM	Left side splash, C-MFS-12, C-MFT-8, C-MFT-20	\$171	4#
C-RSM	Right side splash, C-MFS-12, C-MFT-8, C-MFT-20	\$171	4#
C-LSB-D	Left side splash, C-MRS12, C-MTS-14	\$200	5#
C-RSB-D	Right side splash, C-MRS12, C-MTS-14	\$200	5#
FOF-B	Convert to foot-operated backsplash faucet (excludes C-MFT-8 model)	\$633	3#

\*NOTE: These units are manufactured to order and are not returnable

Rinsing faucet installation notes:

- Important: Unit must be installed in conformance with applicable federal, state, and local plumbing codes, including adequate backflow when required.
- Must install backflow prevention device conforming to ANSI/ASSE 1022 or ANSI/ASSE 1024 to meet plumbing code (not included).
- Install in-line water regulator (included).
- A separate shut-off valve is recommended (not included).

Bar Fabrication - Choice



## Two Compartment Sinks

19" DEEP		24" DEEP		OVERALL LENGTH	SINK LOCATION	DRAINBOARD LENGTH	WEIGHT
MODEL	LIST	MODEL	LIST				
C-DSA-24*	\$2,723	C-DSB-24*	\$2,742	24"	Center	N/A	90#
C-DSA-36L*	\$2,875	C-DSB-36L*	\$2,912	36"	Left	12"	100#
C-DSA-36R*	\$2,875	C-DSB-36R*	\$2,912	36"	Right	12"	100#
C-DSA-48*	\$3,024	C-DSB-48*	\$3,081	48"	Center	2 @ 12"	110#

## Three Compartment Sinks

C-TSA-36*	\$3,084	C-TSB-36*	\$3,118	36"	Center	N/A	110#
C-TSA-48L*	\$3,226	C-TSB-48L*	\$3,278	48"	Left	12"	120#
C-TSA-48R*	\$3,226	C-TSB-48R*	\$3,278	48"	Right	12"	120#
C-TSA-60	\$3,401	C-TSB-60	\$3,475	60"	Center	2 @ 12"	130#
C-TSA-72*	\$3,537	C-TSB-72*	\$3,627	72"	Center	2 @ 18"	145#
C-TSA-84*	\$3,695	C-TSB-84*	\$3,809	84"	Center	2 @ 24"	160#
C-TSA-96*	\$3,832	C-TSB-96*	\$3,965	96"	Center	2 @ 30"	175#

## Four Compartment Sinks

C-FSA-48*	\$3,746	C-FSB-48*	\$3,947	48"	Center	N/A	125#
C-FSA-72	\$4,062	C-FSB-72	\$4,146	72"	Center	2 @ 12"	155#
C-FSA-84*	\$4,220	C-FSB-84*	\$4,327	84"	Center	2 @ 18"	170#
C-FSA-96*	\$4,355	C-FSB-96*	\$4,484	96"	Center	2 @ 24"	185#

## Multiple Sink Accessories

MODEL	DESCRIPTION	LIST	WGT
C-SR-24	24" single speed rail	\$218	7#
C-SR-36	36" single speed rail	\$260	10#
C-SR-42	42" single speed rail	\$283	12#
C-SR-48	48" single speed rail	\$303	13#
C-SR-60	60" single speed rail	\$418	18#
C-SR-72	72" single speed rail	\$462	23#
C-DR-24	24" double speed rail	\$434	14#
C-DR-36	36" double speed rail	\$521	18#
C-DR-42	42" double speed rail	\$564	21#
C-DR-48	48" double speed rail	\$606	24#
C-DR-60	60" double speed rail	\$792	32#
C-DR-72	72" double speed rail	\$880	40#

NOTE: For 84" sink order two 42" speed rails or for 96" sink order two 48" speed rails.

C-LSA-D	Left side splash for 19"d (A) models	\$171	4#
C-RSA-D	Right side splash for 19"d (A) models	\$171	4#
C-LSB-D	Left side splash for 24"d (B) models	\$200	5#
C-RSB-D	Right side splash for 24"d (B) models	\$200	5#
TR	Towel ring	\$23	1#
LWS	Large wet waste strainer	\$85	3#
03002552	Sink cover, perforated, for C-DS models	\$164	5#
03002553	Sink cover, perforated, for C-TS models	\$246	8#
03002554	Sink cover, perforated, for C-FS models	\$331	12#

## PRODUCT INFORMATION

(see C-DS, C-TS, and C-FS Spec Sheets for complete details)

## STANDARD FEATURES

- All stainless steel construction and adjustable thermoplastic bullet feet
- One-piece seamless top and backsplash featuring 1/4" radius corners for easy cleaning
- 20 gauge stainless steel fabricated sink bowls are 70% thicker than the competition's 20 gauge drawn bowls
- 11" by 14" by 10-1/4" deep sink bowl with hot and cold water faucet
- Extra wide sink bowl easily accommodates brush washer
- Perforated stainless steel inserts are available to cover sinks when not in use
- One over-flow tube per sink bowl included



Compartment Sinks come in three different varieties: two, three, and four compartment. They feature a one-piece stainless steel top that is seamless all the way through the backsplash. Each variety is offered with or without built-in drainboards on one or both sides of the sink compartment. The corrugated drainboards, where included, are a seamless and integral part of the work surface. The seamless welded bowls are 20 gauge fabricated stainless steel. An 'L' or 'R' suffix in the model number designates the location of the sink compartment as left or right when there is only one drainboard.

\*NOTE: These compartment sinks are manufactured to order and are not returnable



C-LD-18

**24" DEEP LIQUOR STEPS**

MODEL	WITHOUT LOCKING COVER		WITH LOCKING COVER		LENGTH
	LIST	WEIGHT	LIST	WEIGHT	
C-LD-12	\$1,317	50#	\$2,232	50#	12"
C-LD-18	\$1,430	55#	\$2,427	55#	18"
C-LD-24	\$1,544	60#	\$2,607	60#	24"

**PRODUCT INFORMATION**

(see C-LD Spec Sheet for complete details)

**CONFIGURABLE OPTION**

Locking Cover - The removable locking cover is one-piece and foldable for easy storage. The liquor steps are lowered 4" to accommodate the locking cover.

Locking cover configurable option (shown on C-LD-12)



C-PCB-24

**PRODUCT INFORMATION**

(see C-PCB Spec Sheet for complete details)

**STANDARD FEATURES**

- All stainless steel construction with adjustable thermoplastic bullet feet
- One-piece seamless top and backsplash
- Louvered door for air flow on models with a door
- Lock standard on models with a door
- Special 26" high work surface height to accommodate cash drawer and POS monitor
- Grommated cord access hole in work surface
- Large access hole in back wall of unit

**24" DEEP POS CABINETS**

MODEL	LIST	LENGTH	WEIGHT
C-PCB-18	\$2,395	18"	71#
C-PCB-24	\$2,640	24"	81#

**24" DEEP POS CABINETS LESS DOORS**

C-PCB-18-LD	\$1,732	18"	62#
C-PCB-24-LD	\$1,911	24"	69#

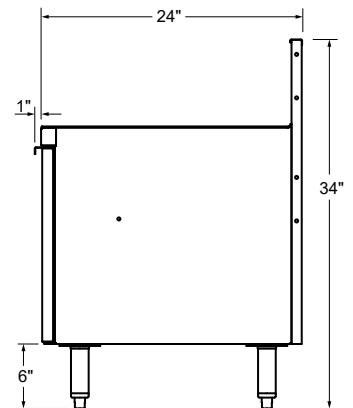
**CONFIGURABLE OPTIONS\***

MODEL	DESCRIPTION	LIST	WEIGHT
C-LSP-3	Left side splash	\$171	3#
C-RSP-3	Right side splash	\$171	3#

\*NOTE: Verify cash drawer width before ordering side splash options



C-LSP-3 & C-RSP-3 Accessories (shown on C-PCB-24)



Installation Side Elevation

## PRODUCT INFORMATION

(see C-IOS Spec Sheet for complete details)

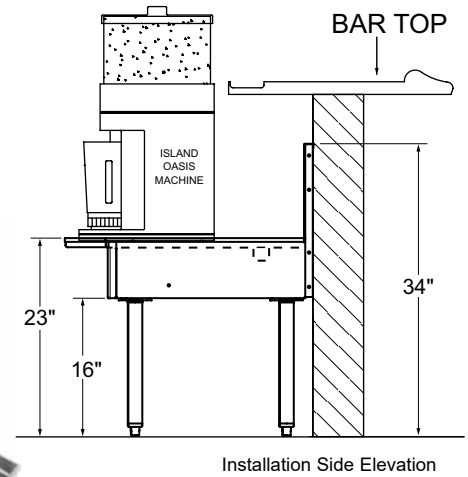
The Choice Island Oasis® Stand is designed for use with the model number SB-3X Island Oasis® machine. The 18" wide by 29" deep stand has a lowered draining work surface and extended front to allow the machine to be stored at a convenient and usable height. In most bar applications, the clear plastic ice container will be visible above the bar top.

### STANDARD FEATURES

- All stainless steel construction
- Adjustable thermoplastic bullet feet
- 1" deep drain pan work surface to capture excess moisture
- One-piece seamless top and backsplash featuring 1/4" radius corners for easy cleaning
- Lowered work surface with extended front
- Designed to keep the majority of the Island Oasis® (model #SB-3X) below the bar top with only the clear plastic ice tub visible above the bar top
- Chamfered front to eliminate "knee knockers"

### ISLAND OASIS® STAND

MODEL	LIST	LENGTH	WEIGHT
C-IOS-18	\$1,403	18"	50#



\*NOTE: Choice Island Oasis Stands are manufactured to order and are not returnable

Bar Fabrication - Choice

# Choice Beer Drainers\*

## PRODUCT INFORMATION

(see C-BD Spec Sheet for complete details)

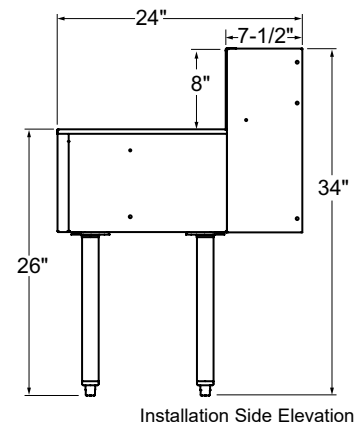
Beer Drainers have a 26" high, lowered work surface and are designed specifically for use with undercounter mounting beverage dispensers. The work surface includes a drain pan with perforated insert to serve as the drip pan for the dispenser and the backsplash is pulled forward 5" to provide access for beverage lines.

### 24" DEEP BEER DRAINERS

MODEL	LIST	LENGTH	WEIGHT
C-BD-18	\$1,098	18"	55#
C-BD-24	\$1,224	24"	60#
C-BD-30	\$1,349	30"	65#
C-BD-36	\$1,474	36"	70#

### STANDARD FEATURES

- All stainless steel construction
- Designed with lowered work surface to work in conjunction with undercounter mounting beverage dispensers
- Adjustable thermoplastic bullet feet
- Backsplash pulled forward 5" to create large chaseway for beverage line access
- Front drain pan with lift-out stainless steel perforated insert



\*NOTE: Beer drainers are manufactured to order and are not returnable



C-DW-15L

### PRODUCT INFORMATION

(see C-DW Spec Sheet for complete details)

There are four different Dry Waste Chute models to meet various installation requirements.

### STANDARD FEATURES

- Lift-up top for emptying the trash receptacle
- Completely removable top for thorough cleaning
- C-DW-12 mounts between two adjacent pieces of Choice underbar and has no legs
- C-DW-15L and C-DW-15R include a single leg set and mount to an adjacent piece of Choice underbar
- C-DW-14-C† is free standing
- All models are designed to house a Rubbermaid Slim Jim® trash receptacle

† Patent Pending

24" DEEP DRY WASTE CHUTES					CONFIGURABLE OPTIONS			
MODEL	LIST	LEG POSITION	LENGTH	WEIGHT	MODEL	DESCRIPTION	LIST	WEIGHT
C-DW-12	\$613	N/A	12"	30#	C-LSDW	Left side splash (C-DW-14-C†)	\$171	4#
C-DW-14-C†	\$2,231	N/A	14"	64#	C-RSDW	Right side splash (C-DW-14-C†)	\$171	4#
C-DW-15L	\$1,078	Left	15"	45#	<b>ACCESSORY</b>			
C-DW-15R	\$1,078	Right	15"	45#	MODEL	DESCRIPTION	LIST	WEIGHT
					03000497	Rubbermaid Slim Jim®	\$271	10#

Pricing effective June 1, 2022

## Choice Clip-On Dry Waste Rails

### PRODUCT INFORMATION

(see C-DWR Spec Sheet for complete details)

There are three different Clip-On Dry Waste Rail models to meet various installation requirements. For all three versions, the dry waste chute portion easily lifts off for thorough cleaning.



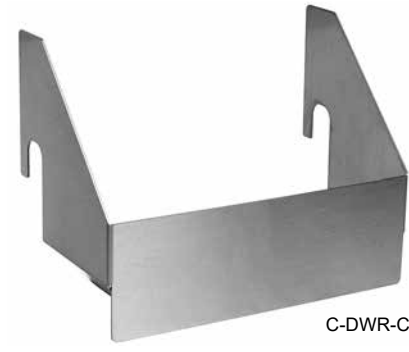
C-DWR-S

The C-DWR-S is 5" deep front-to-back and designed to align with adjacent equipment that has a single speed rail.



C-DWR-D

The C-DWR-D model is 10" deep front-to-back and designed to align with adjacent equipment that has a double speed rail. The C-DWR-D has a speed rail step in the back with the dry waste chute at the front.



C-DWR-C

The C-DWR-C model is designed to clip to another speed rail and adds 5" to the front-to-back depth.

### STANDARD FEATURES

- All stainless steel construction
- Matches speed rail profile for continuity of design
- Bolts to the front skirt of non-cabinet base underbar equipment or clips to the rail of an underbar speed rails
- Stainless steel chute is removable for cleaning

### CLIP-ON DRY WASTE RAILS

MODEL	LIST	LENGTH	DEPTH	WEIGHT
C-DWR-S	\$210	12"	5"	5#
C-DWR-D	\$428	12"	10"	9#
C-DWR-C	\$215	12"	5"	5#

## PRODUCT INFORMATION

(see C-SR and C-DR Spec Sheets for complete details)



### SINGLE SPEED RAILS

MODEL	LIST	LENGTH	WEIGHT
C-SR-12	\$177	12"	5#
C-SR-13 to 18	\$198	13" to 18"	6#
C-SR-19 to 24	\$218	19" to 24"	7#
C-SR-25 to 30	\$239	25" to 30"	9#
C-SR-31 to 36	\$260	31" to 36"	10#
C-SR-37 to 42	\$283	37" to 42"	12#
C-SR-43 to 48	\$303	43" to 48"	13#
C-SR-49 to 54	\$399	49" to 54"	16#
C-SR-55 to 60	\$418	55" to 60"	18#
C-SR-61 to 66	\$440	61" to 66"	21#
C-SR-67 to 72	\$462	67" to 72"	23#

### DOUBLE SPEED RAILS

MODEL	LIST	LENGTH	WEIGHT
C-DR-12	\$348	12"	9#
C-DR-13 to 18	\$392	13" to 18"	11#
C-DR-19 to 24	\$434	19" to 24"	14#
C-DR-25 to 30	\$479	25" to 30"	16#
C-DR-31 to 36	\$521	31" to 36"	18#
C-DR-37 to 42	\$564	37" to 42"	21#
C-DR-43 to 48	\$606	43" to 48"	24#
C-DR-49 to 54	\$749	49" to 54"	28#
C-DR-55 to 60	\$792	55" to 60"	32#
C-DR-61 to 66	\$836	61" to 66"	36#
C-DR-67 to 72	\$880	67" to 72"	40#



### LOCKING SPEED RAIL COVERS

MODEL	LIST	LENGTH	WEIGHT
C-SRC-12	\$332	12"	7#
C-SRC-13 to 18	\$359	13" to 18"	9#
C-SRC-19 to 24	\$385	19" to 24"	11#
C-SRC-25 to 30	\$413	25" to 30"	13#
C-SRC-31 to 36	\$443	31" to 36"	16#
C-SRC-37 to 42	\$470	37" to 42"	18#
C-SRC-43 to 48	\$498	43" to 48"	21#

Bar Fabrication - Choice

## Choice Add-On Cabinet Bases\*

Pricing effective June 1, 2022

### PRODUCT INFORMATION

(see C-ACB Spec Sheet for complete details)



\*NOTE: Choice Add-On Cabinet Bases are manufactured to order and are not returnable

### LOCKING SPEED RAIL COVERS

MODEL	LIST	DOOR	LENGTH	WEIGHT
C-ABC-12	\$928	One	12"	20#
C-ABC-14	\$954	One	14"	22#
C-ABC-16	\$979	One	16"	24#
C-ABC-18	\$1,005	One	18"	25#
C-ABC-20	\$1,031	One	20"	27#
C-ABC-22	\$1,056	One	22"	29#
C-ABC-24	\$1,329	Two	24"	30#
C-ABC-26	\$1,352	Two	26"	32#
C-ABC-28	\$1,378	Two	28"	32#
C-ABC-30	\$1,407	Two	30"	35#
C-ABC-32	\$1,429	Two	32"	37#
C-ABC-34	\$1,455	Two	34"	37#
C-ABC-36	\$1,483	Two	36"	40#
C-ABC-38	\$1,505	Two	38"	42#
C-ABC-40	\$1,530	Two	40"	42#
C-ABC-42	\$1,560	Two	42"	45#
C-ABC-44	\$1,581	Two	44"	47#
C-ABC-46	\$1,606	Two	46"	47#
C-ABC-48	\$1,637	Two	48"	50#

Model number C-MD-41 Choice modular bar die has an overall height of 41", which provides the appropriate overall height for most bar applications. However, some interior designs require an extra thick bar top, so Choice modular bar die is also available with an overall height of 38". See model C-MD-38.

With the Choice Modular Bar Die, underbar equipment is mounted to and supported on the bar die. All the underbar equipment is pre-assembled and mounted to the bar die at the factory, then broken down into shippable sections. Installation of the bar die is very simple - easier than a conventional style underbar with a millwork bar die. The result is a beautiful, innovative underbar line up that is sealed to the floor, stainless from floor to bar top, eliminates all underbar leg sets, and hides the soda, beer, electrical, and plumbing lines.

### PRODUCT INFORMATION

(see C-MD Spec Sheet for complete details)

### FEATURES

- 16 gauge galvanized steel structure with stainless steel bartender side finishing
- 20A GFI outlets built into bar die wall based on customer preference (wiring not provided)
- LED lights built into bar die wall above underbar equipment (wiring not provided)
- Built in chaseways for beer, soda, plumbing, and electrical lines

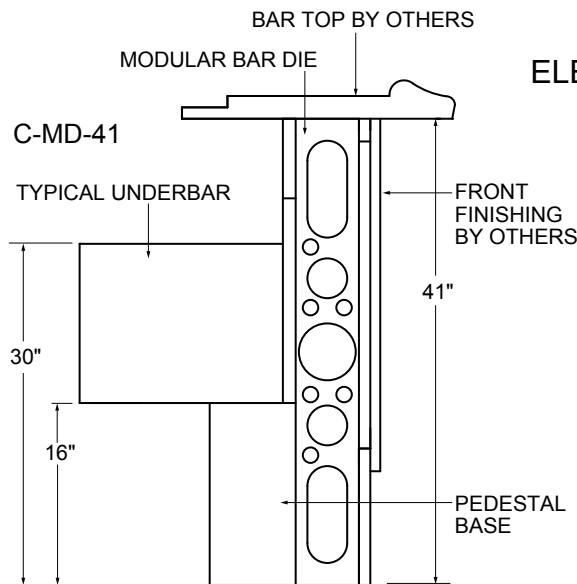
The total Number of feet required is calculated by determining the overall outside dimension of the bar die wall. Please round up to the nearest whole foot.

### BENEFITS

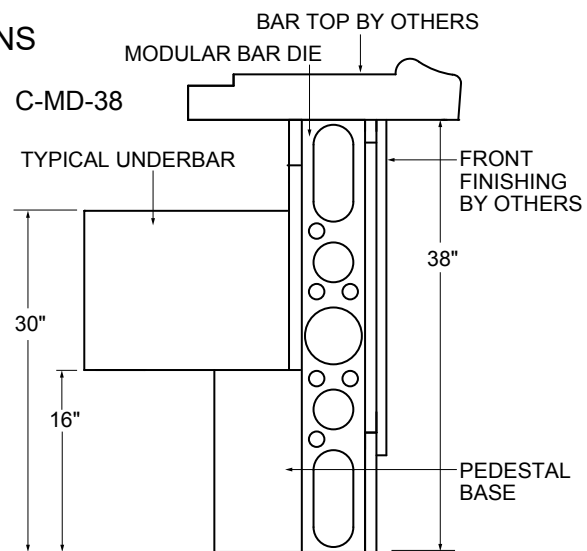
- Stainless steel from floor to bar top on bartender side
- Floor can be sealed to the bar die to prevent moisture from seeping from the bartender side to the customer side of the bar
- Galvanized steel structure will not rot
- Built-in chaseways hide beer, soda, plumbing, and electrical lines for a cleaner, more attractive bar
- Arrives pre-assembled from factory in sections up to 6 feet for easy installation - lowers installation costs. Just bolt the sections together, level, and attach the floor.
- Pre-engineered to exact dimensions to ensure a precise fit
- Can be used in conjunction with removable front millwork finishing panels to provide easy access to soda, beer, plumbing, and electrical lines for future modification, maintenance, or repair
- Millwork bar top and front panels can be pre-fabricated and easily attached
- Eliminates all underbar legs for easy cleaning



Bar Fabrication - Choice



### SIDE ELEVATIONS



#### 41" HIGH MODULAR BAR DIE

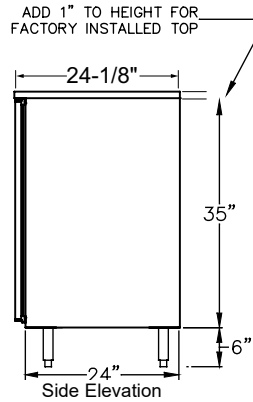
MODEL	DESCRIPTION	LIST	WEIGHT
C-MD-41	Price per foot	\$463	15#

#### 38" HIGH MODULAR BAR DIE

MODEL	DESCRIPTION	LIST	WEIGHT
C-MD-38	Price per foot	\$463	15#



C1FB60 with compressor left, stainless doors and top



## PRODUCT INFORMATION

(see C1FB Spec Sheet for complete details)

### STANDARD FEATURES:

- Self-contained
- All stainless steel interior construction
- Draft beverage compatible - see page 86
- Listed to NSF Standard 7 for open food as a storage refrigerator

## COOLERS - ONE ZONE, FRONT SERVICED, BAR PROFILE

MODEL	LIST	LENGTH	DOOR					HP	LONGNECK	750MLWINE	1/2BARREL	1/6BARREL
			DOORS	OPENING	WEIGHT	AMPS	CASES		BOTTLES**	KEGS	KEGS	
C1FB32	\$6,442	32"	1	16" W	235#	3.0	1/8	5.8	57	N/A	2 †	
C1FB36	\$6,503	36"	1	20" W	250#	3.0	1/8	7.8	70	1	4	
C1FB52	\$8,516	52"	2	16" W	330#	7.0	1/4	13.3	116	N/A	7	
C1FB60	\$8,742	60"	2	20" W	360#	7.0	1/4	17.3	164	2	8	
C1FB72	\$10,118	72"	3	16" W	410#	7.0	1/4	21.1	188	N/A	11	
C1FB84	\$10,523	84"	3	20" W	490#	7.0	1/4	27.1	248	4	14 †	
C1FB92	\$12,189	92"	4	16" W	545#	7.0	1/4	28.8	260	N/A	15	
C1FB108	\$12,576	108"	4	20" W	590#	7.0	1/4	36.8	332	5	18	

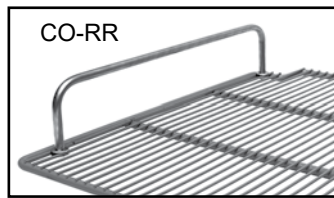
Base price only. See next page for configurable options.

\*\*Wine bottle capacity is based on adjustable shelves. Drawers will hold less. NOTE: Coolers with drawers are not returnable.

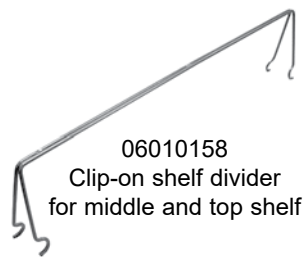
† If CO<sub>2</sub> tank is stored internally, reduce capacity by one keg

Bar Refrigeration

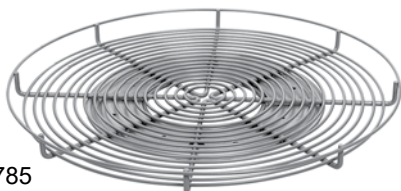
The CO-RR shelf retention rail should be used on all shelves adjacent to drawers and/or kegs. (CO-RR shown installed on shelf)



CWS-20  
Wine rack shelf for 20" door opening



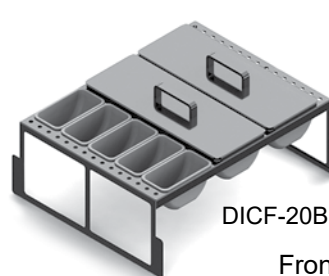
06010158  
Clip-on shelf divider for middle and top shelf



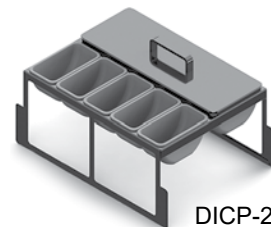
06009785

In a typical cooler, only the front row of bottles is easy to access. Glastender's rotary wine shelf increases access by 270% (16 vs. 6 bottles).

The rotary wine shelf is for use with C1FB36, C1FB60, C1FB84, and C1FB108 model coolers. Two rotary shelves can be used behind each 20" cooler door opening, where they sit on two standard cooler shelves. Each rotary shelf holds up to 29 wine bottles (750ml).



DICF-20B



DICP-20B

Front covers removed for illustrative purposes

## ACCESSORIES

MODEL	DESCRIPTION	LIST
06009785	Rotary wine shelf (20" door opening ONLY)	\$263
CO-RR	Shelf retention rail	\$66
CWS-16	Wine rack shelf for 16" door opening, 5 bottle	\$164
CWS-20	Wine rack shelf for 20" door opening, 7 bottle	\$186
DICF-16B	Drawer insert, condiments, full, 16" door opening, bar-profile cooler, 12 cups	\$565
DICP-16B	Drawer insert, condiments, partial, 16" door opening, bar-profile cooler, 8 cups	\$426
DICF-20B	Drawer insert, condiments, full, 20" door opening, bar-profile cooler 15 cups	\$665
DICP-20B	Drawer insert, condiments, partial, 20" door opening, bar-profile cooler, 10 cups	\$492
DIP-20	Drawer insert for food pans	\$261
06010158	Clip-on shelf divider for middle and top shelf	\$36
06006013	Clip-on shelf divider for bottom shelf only	\$36



**Draft Beverage Compatible**

**Select Configurable Options:**

**VOLTAGE**

120V/60HZ	No charge
220V/50HZ (export voltage)	\$279

**TEMPERATURE**

Beer / Food, 34° to 40°, standard	No charge
White wine, 50° to 55°	No charge
Red wine, 60° to 65°	No charge

**REFRIGERATION COMPARTMENT LOCATION**

Left	No charge
Right	No charge

**REFRIGERATION COMPARTMENT COVER FINISH**

Black vinyl-clad	No charge
Unlaminated	No charge
Stainless steel	\$36
Jeweled stainless steel	\$211
Laminated	\$245

**DOOR/DRAWER OPTIONS**

NOTE: Select options for EACH Door/Drawer Section

**STYLE AND FINISH - PER SECTION**

Door - Black vinyl-clad	No charge
Door - Unlaminated	No charge
Door - Stainless steel	\$43
Door - Jeweled stainless	\$229
Door - Laminated	\$262
Door - Glass, black vinyl-clad	\$507
Door - Glass, stainless steel	\$550
Door - Glass, jeweled stainless	\$736
Door - Glass, laminated	\$769
Drawers* - Black vinyl-clad	\$2,099
Drawers* - Unlaminated	\$2,099
Drawers* - Stainless steel	\$2,142
Drawers* - Jeweled stainless	\$2,328
Drawers* - Laminated	\$2,361

\*NOTE: Units with drawers are manufactured to order and are not returnable.

**DOOR HINGE LOCATION - PER DOOR**

Left	No charge
Right	No charge

**SHELVING - PER DOOR**

Three adjustable shelves	No charge
Keg rack (deduct shelves)	(\$99)
Pull-out wine shelves:	
• w/upright & horizontal storage	\$2,321
• w/upright storage	\$1,549
• w/horizontal storage*	\$2,902

\*NOTE: Not available for door next to compressor compartment

**DOOR HANDLE - PER DOOR/DRAWER**

Signature handle (doors only)	No charge
Pull-tab handle - stainless or black to match door/drawer; black for laminate	No charge
Tube handle	No charge

NOTE: All coolers with drawers are manufactured to order and are not returnable.

**TOP STYLE**

	32"	36"	52"	60"	72"	84"	92"	108"
No finished top	No charge							
Stainless top	\$447	\$471	\$570	\$619	\$693	\$767	\$816	\$917

**LEFT SIDE FINISH**

Black vinyl-clad	No charge
Stainless Steel	\$43
Laminated	\$262

**RIGHT SIDE FINISH**

Black vinyl-clad	No charge
Stainless Steel	\$43
Laminated	\$262

**BACK FINISH**

	32"	36"	52"	60"	72"	84"	92"	108"
Galvanized steel	No charge							
Stainless steel*	\$356	\$366	\$417	\$442	\$479	\$515	\$542	\$591

\*NOTE: Stainless steel back option also includes stainless steel sides.

**LED LIGHTING STYLE**

Bright white (7,000k), standard	No charge
Warm white (3,500k)	No charge
Amber (2,700k)	No charge
Blue	No charge

**LEG AND STAINLESS STEEL KICK RAILS**

NOTE: Legs are required if kick rails are ordered.

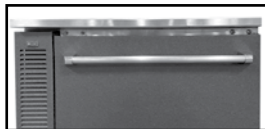
	32"	36"	52"	60"	72"	84"	92"	108"
6" legs	\$230	\$230	\$185	\$185	\$277	\$277	\$277	\$277
Front kick rail	\$124	\$129	\$147	\$157	\$172	\$185	\$195	\$212
Left side kick rail	\$115	\$115	\$115	\$115	\$115	\$115	\$115	\$115
Right side kick rail	\$115	\$115	\$115	\$115	\$115	\$115	\$115	\$115

**CASTERS**

	32"	36"	52"	60"	72"	84"	92"	108"
4-1/8" casters	\$202	\$202	\$165	\$165	\$249	\$249	\$249	\$249
2-7/8" casters	\$200	\$200	\$160	\$160	\$239	\$239	\$239	\$239



Drawer pull-tab handle



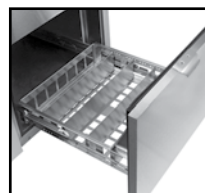
Drawer tube handle



Signature handle



Pull-tab handle



Optional drawers include adjustable divider walls



Optional pull-out wine shelves Horizontal (left) and upright (right) storage shown



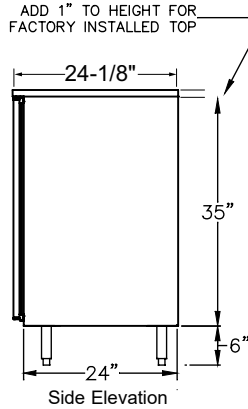
Tube handle

Bar Refrigeration





C2FB60 with compressor left, stainless doors, and stainless top



**Draft Beverage Compatible**



### PRODUCT INFORMATION

(see C2FB Spec Sheet for complete details)

#### STANDARD FEATURES:

- Self-contained
- Available in three different configurations: beer/white wine, beer/red wine, or white/red wine
- The warmer compartment is always a single door located opposite the compressor end
- All stainless steel interior construction
- Draft beverage compatible - see page 86
- Listed to NSF Standard 7 for closed container products

\*NOTE: C2FB coolers are manufactured to order and are not returnable.

## COOLERS - TWO ZONE, FRONT SERVICED, BAR PROFILE

MODEL	LIST	LENGTH	DOORS	DOOR				HP	LONGNECK	750MLWINE	1/2BARREL	1/6BARREL
				OPENING	WEIGHT	AMPS	CASES		BOTTLES**	KEGS	KEGS	
C2FB52*	\$9,961	52"	2	16" W	365#	7.0	1/4	11.8	117	N/A	4	
C2FB60*	\$10,185	60"	2	20" W	375#	7.0	1/4	15.8	141	2	8 †	
C2FB72*	\$11,565	72"	3	16" W	475#	7.0	1/4	19.3	176	N/A	9	
C2FB84*	\$11,870	84"	3	20" W	490#	7.0	1/4	25.3	234	3	12	
C2FB92*	\$13,633	92"	4	16" W	585#	7.0	1/4	27.1	246	N/A	13	
C2FB108*	\$14,021	108"	4	20" W	605#	7.0	1/4	35.1	318	5	18 †	

Base price only. See next page for configurable options.

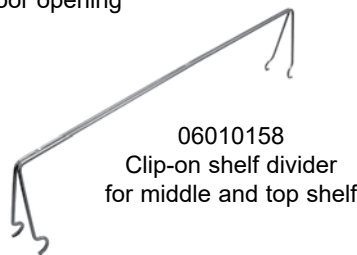
\*\*Wine bottle capacity is based on adjustable shelves. Drawers will hold less.

† If CO<sub>2</sub> tank is stored internally, reduce capacity by one keg

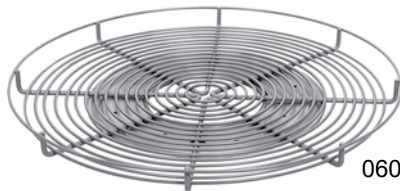
Bar Refrigeration



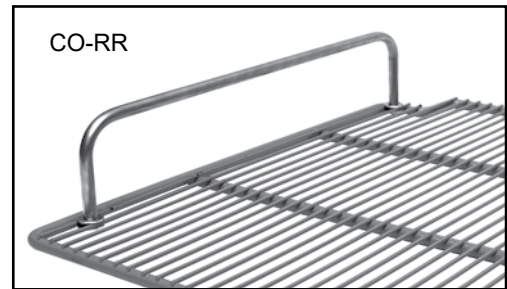
CWS-20  
Wine rack shelf for  
20" door opening



06010158  
Clip-on shelf divider  
for middle and top shelf



06009785



CO-RR

The CO-RR shelf retention rail should be used on all shelves adjacent to drawers and/or kegs. (CO-RR shown installed on shelf)

In a typical cooler, only the front row of bottles is easy to access. Glastender's rotary wine shelf increases access by 270% (16 vs. 6 bottles).

The rotary wine shelf is for use with C2FB60, C2FB84, and C2FB108 model coolers. Two rotary shelves can be used behind each 20" cooler door opening, where they sit on two standard cooler shelves. Each rotary shelf holds up to 29 wine bottles (750ml).

### ACCESSORIES

MODEL	DESCRIPTION	LIST
06009785	Rotary wine shelf (20" door opening ONLY)	\$263
CO-RR	Shelf retention rail	\$66
CWS-16	Wine rack shelf for 16" door opening, 5 bottle	\$164
CWS-20	Wine rack shelf for 20" door opening, 7 bottle	\$186
06010158	Clip-on shelf divider for middle and top shelf	\$36
06006013	Clip-on shelf divider for bottom shelf only	\$36

**Draft Beverage Compatible**



\*NOTE: C2FB coolers are manufactured to order and are not returnable.

**Select Configurable Options:**

**VOLTAGE**

120V/60HZ	No charge
220V/50HZ (export voltage)	\$279

**TEMPERATURE**

Beer/White wine - 34° to 40°/ 50° to 55°	No charge
Beer/Red wine - 34° to 40°/ 60° to 65°	No charge
White/Red wine - 50° to 55°/ 60° to 65°	No charge

**REFRIGERATION COMPARTMENT LOCATION**

Left	No charge
Right	No charge

**REFRIGERATION COMPARTMENT COVER FINISH**

Black vinyl-clad	No charge
Unlaminated	No charge
Stainless steel	\$36
Jeweled stainless steel	\$211
Laminated	\$245

**DOOR/DRAWER OPTIONS**

NOTE: Select options for EACH Door/Drawer Section

**STYLE AND FINISH - PER SECTION**

Door - Black vinyl-clad	No charge
Door - Unlaminated	No charge
Door - Stainless steel	\$43
Door - Jeweled stainless	\$229
Door - Laminated	\$262
Door - Glass, black vinyl-clad	\$507
Door - Glass, stainless steel	\$550
Door - Glass, jeweled stainless	\$736
Door - Glass, laminated	\$769
Drawers - Black vinyl-clad	\$2,099
Drawers - Unlaminated	\$2,099
Drawers - Stainless steel	\$2,142
Drawers - Jeweled stainless	\$2,328
Drawers - Laminated	\$2,361

**DOOR HINGE LOCATION - PER DOOR**

Left	No charge
Right	No charge

**SHELVING - PER DOOR**

Three adjustable shelves	No charge
Keg rack (deduct shelves)	(\$99)
Pull-out wine shelves:	
• w/upright & horizontal storage	\$2,321
• w/upright storage	\$1,549
• w/horizontal storage*	\$2,902

\*NOTE: Not available for door next to compressor compartment

**DOOR HANDLE - PER DOOR**

Signature handle (doors only)	No charge
Pull-tab handle - stainless or black to match door/drawer; black for laminate	No charge
Tube handle	No charge



Optional pull-out wine shelves Horizontal (left) and upright (right) storage shown



**TOP STYLE**

	52"	60"	72"	84"	92"	108"
No finished top	No charge					
Stainless top	\$570	\$619	\$693	\$767	\$816	\$917

**LEFT SIDE FINISH**

Black vinyl-clad	No charge
Stainless Steel	\$43
Laminated	\$262

**RIGHT SIDE FINISH**

Black vinyl-clad	No charge
Stainless Steel	\$43
Laminated	\$262

**BACK FINISH**

	52"	60"	72"	84"	92"	108"
Galvanized steel	No charge					
Stainless steel*	\$417	\$442	\$479	\$515	\$542	\$591

\*NOTE: Stainless steel back option also includes stainless steel sides.

**LED LIGHTING STYLE**

Bright white (7,000k), standard	No charge
Warm white (3,500k)	No charge
Amber (2,700k)	No charge
Blue	No charge

**LEG AND STAINLESS STEEL KICK RAILS**

NOTE: Legs are required if kick rails are ordered.

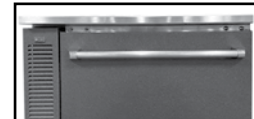
	52"	60"	72"	84"	92"	108"
6" legs	\$185	\$185	\$277	\$277	\$277	\$277
Front kick rail	\$147	\$157	\$172	\$185	\$195	\$212
Left side kick rail	\$115	\$115	\$115	\$115	\$115	\$115
Right side kick rail	\$115	\$115	\$115	\$115	\$115	\$115

**CASTERS**

	52"	60"	72"	84"	92"	108"
4-1/8" casters	\$165	\$165	\$249	\$249	\$249	\$249
2-7/8" casters	\$160	\$160	\$239	\$239	\$239	\$239



Drawer pull-tab handle



Drawer tube handle



Optional drawers include adjustable divider walls



Signature handle



Pull-tab handle



Tube handle

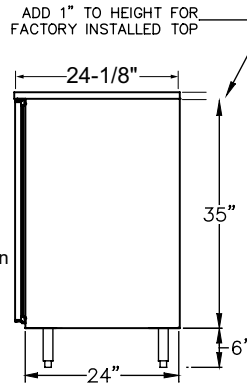
NOTE: All coolers with drawers are manufactured to order and are not returnable.

Bar Refrigeration



C1RB48 with refrigeration hook up right, stainless doors, and stainless top

Side Elevation



**Draft Beverage Compatible**



**PRODUCT INFORMATION**

(see C1RB Spec Sheet for complete details)

**STANDARD FEATURES:**

- Remote unit
- All stainless steel interior construction
- Draft beverage compatible - see page 86
- Listed to NSF Standard 7 for open food as a storage refrigerator

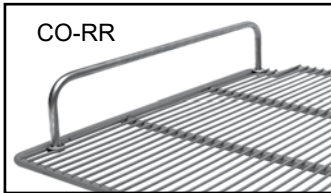
**COOLERS - ONE ZONE, REMOTE, BAR PROFILE**

MODEL	LIST	LENGTH	DOOR		WEIGHT	BTU /HR	LONG NECK 750ML WINE			
			DOORS	OPENING			CASES	BOTTLES	1/2 BARREL KEGS	1/6 BARREL KEGS
C1RB24	\$4,568	24" W	1	20"	175#	800	7.0	60	1	2
C1RB40*	\$6,058	40" W	2	16"	275#	1,000	12.3	116	N/A	6
C1RB48	\$6,346	48" W	2	20"	285#	1,200	16.2	148	2	7
C1RB60*	\$8,043	60" W	3	16"	390#	1,300	19.9	188	N/A	10
C1RB72	\$8,349	72" W	3	20"	405#	1,500	25.9	234	4	11
C1RB80*	\$10,225	80" W	4	16"	500#	1,600	27.7	260	N/A	14
C1RB96	\$10,551	96" W	4	20"	520#	1,900	35.7	318	5	17

Base price only. See next page for configurable options.

\*C1RB40, C1RB60, AND C1RB80 are manufactured to order and are not returnable.

Bar Refrigeration



CO-RR

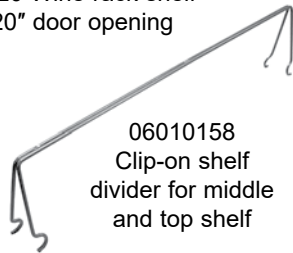
The CO-RR shelf retention rail should be used on all shelves adjacent to kegs. (CO-RR shown installed on shelf)



CWS-20 Wine rack shelf for 20" door opening



CWS-16 Wine rack shelf for 16" door opening



06010158 Clip-on shelf divider for middle and top shelf

**ACCESSORIES**

MODEL	DESCRIPTION	LIST
CO-RR	Shelf retention rail	\$66
CWS-16	Wine rack shelf for 16" door opening, 5 bottle	\$164
CWS-20	Wine rack shelf for 20" door opening, 7 bottle	\$186
06010158	Clip-on shelf divider for middle and top shelf	\$36
06006013	Clip-on shelf divider for bottom shelf only	\$36

**CONDENSING UNITS AND INSTALLATION KITS\*\***

MODEL	DESCRIPTION	LIST	WT
06006621**	1/3 HP R134a condensing unit kit, includes filter dryer, sight glass, and defrost timer. 2800 BTU/hr rated cooling capacity at 15°F evaporator temperature and 85°F ambient temperature. (13-1/2"W x 17"D x 9"H)	\$1,740	60#
06006622**	1/2 HP R134a condensing unit kit, includes filter dryer, sight glass, and defrost timer. 4100 BTU/hr rated cooling capacity at 15°F evaporator temperature and 85°F ambient temperature. (13-1/2"W x 18-1/4"D x 9-1/2"H)	\$2,584	60#
06009006**	1/3 HP R404A condensing unit kit, includes filter dryer, sight glass, and defrost timer. 2750 BTU/hr rated cooling capacity at 15°F evaporator temperature and 85°F ambient temperature. (13-1/2"W x 17"D x 9"H)	\$2,763	60#
06009007**	1/2 HP R404A condensing unit kit, includes filter dryer, sight glass, and defrost timer. 4500 BTU/hr rated cooling capacity at 15°F evaporator temperature and 85°F ambient temperature. (13-1/2"W x 18-1/4"D x 9-1/2"H)	\$3,257	60#

**\*\*NOTE: Consult the applicable remote refrigerator specification sheet and your refrigeration installer to select the correct condensing unit for your installation. Standard piping practices and local codes should be employed to size and install refrigerant gas and liquid lines.**

**ACCESSORY FOR CONDENSING UNIT**

06001413	Switch, low pressure control, for remote condensing unit	\$514	3#
----------	--	-------	----

**ACCESSORY FOR REMOTE COOLER CABINET**

SVC	Solenoid valve and coil kit, for remote unit	\$497	6#
SVC-L	Solenoid valve and coil kit with factory installation, for remote unit	\$811	6#

**Draft Beverage Compatible**



\*NOTE: C1RB40, C1RB60, and C1RB80 coolers are manufactured to order and are not returnable.

## Select Configurable Options:

### VOLTAGE

120V/60HZ	No charge
220V/50HZ (export voltage)	\$141

### TEMPERATURE

Beer / Food, 34° to 40°, standard	No charge
White wine, 50° to 55°	No charge
Red wine, 60° to 65°	No charge

### EXPANSION VALVE TYPE

R134a	No charge
R404a	No charge
R407a/R422D	No charge
R448a	No charge

### REFRIGERATION HOOK-UP LOCATION

Left	No charge
Right	No charge

### DOOR OPTIONS

NOTE: Select options for EACH Door Section

#### STYLE AND FINISH - PER DOOR

Door - Black vinyl-clad	No charge
Door - Unlaminated	No charge
Door - Stainless steel	\$43
Door - Jeweled stainless	\$229
Door - Laminated	\$262
Door - Glass, black vinyl-clad	\$507
Door - Glass, stainless steel	\$550
Door - Glass, jeweled stainless	\$736
Door - Glass, laminated	\$769

#### DOOR HINGE LOCATION - PER DOOR

Left	No charge
Right	No charge

#### SHELVING - PER DOOR

Three adjustable shelves	No charge
Keg rack (deduct shelving)	(\$99)
Pull-out wine shelves w/upright & horizontal storage	\$2,202

#### DOOR HANDLE - PER DOOR

Signature handle	No charge
Pull-tab handle - stainless or black to match door; black for laminate	No charge
Tube handle	No charge

### TOP STYLE

	24"	40"	48"	60"	72"	80"	96"
No finished top	No charge						
Stainless top	\$399	\$495	\$545	\$619	\$693	\$743	\$841

### LEFT SIDE FINISH

Black vinyl-clad	No charge
Stainless Steel	\$43
Laminated	\$262

### RIGHT SIDE FINISH

Black vinyl-clad	No charge
Stainless Steel	\$43
Laminated	\$262

### BACK FINISH

	24"	40"	48"	60"	72"	80"	96"
Galvanized steel	No charge						
Stainless steel*	\$331	\$378	\$405	\$442	\$479	\$504	\$553

\*NOTE: Stainless steel back option also includes stainless steel sides.

### LED LIGHTING STYLE

Bright white (7,000k), standard	No charge
Warm white (3,500k)	No charge
Amber (2,700k)	No charge
Blue	No charge

### LEG AND STAINLESS STEEL KICK RAILS

NOTE: Legs are required if kick rails are ordered.

	24"	40"	48"	60"	72"	80"	96"
6" legs	\$185	\$185	\$185	\$277	\$277	\$277	\$277
Front kick rail	\$115	\$132	\$143	\$157	\$172	\$181	\$200
Left side kick rail	\$115	\$115	\$115	\$115	\$115	\$115	\$115
Right side kick rail	\$115	\$115	\$115	\$115	\$115	\$115	\$115



Signature handle



Pull-tab handle



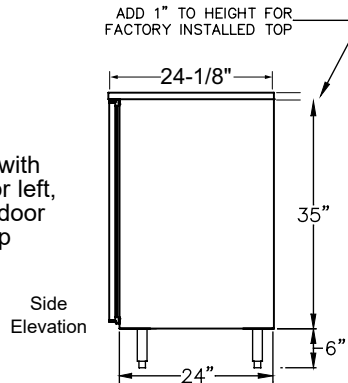
Tube handle

Optional pull-out wine shelves  
Horizontal (left) and upright  
(right) storage shown

Bar Refrigeration



C1SB24 with compressor left, stainless door and top



## PRODUCT INFORMATION

(see C1SB Spec Sheet for complete details)

### STANDARD FEATURES:

- Self-contained
- All stainless steel interior construction
- Draft beverage compatible - see page 86
- Listed to NSF Standard 7 for open food as a storage refrigerator

## COOLERS - ONE ZONE, SIDE SERVICED, BAR PROFILE

MODEL	LIST	LENGTH	DOOR			WEIGHT	AMPS	HP	LONG NECK	750ML WINE	1/2 BARREL	1/6 BARREL
			DOORS	OPENING					CASES	BOTTLES**	KEGS	KEGS
C1SB20*	\$5,942	20"	1	12" W	185#	2.75	1/8	3.3	36	0	2†↗	
C1SB24	\$5,766	24"	1	17.5" W	200#	2.75	1/8	5.8	50	1	3↗	
C1SB28*	\$6,056	28"	1	20" W	220#	2.75	1/8	6.6	60	1	4†▲	
C1SB36*	\$8,058	36"	2	12" W	255#	2.75	1/8	8.9	92	N/A	5▲	
C1SB44*	\$8,408	44"	2	16" W	280#	2.75	1/8	12.0	116	N/A	7▲	
C1SB48	\$8,584	48"	2	18" W	300#	2.75	1/8	13.2	137	2	8†▲	

Base price only. See next page for configurable options.

\*\* Wine bottle capacity is based on adjustable shelves. Drawers will hold fewer. NOTE: Coolers with drawers are not returnable.

\*NOTE: C1SB20, C1SB28, C1SB36, and C1SB44 coolers are manufactured to order and are not returnable.

† If CO<sub>2</sub> tank is stored internally, reduce capacity by one keg

↗ Requires one 05001026 low profile Sanke keg tap - see page 86

▲ Requires two 05001026 low profile Sanke keg taps - see page 86

Bar Refrigeration

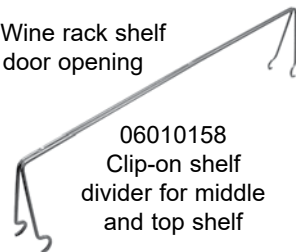


CO-RR

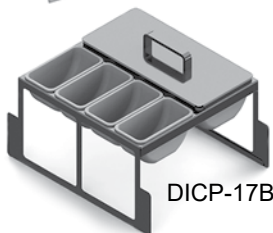
The CO-RR shelf retention rail should be used on all shelves adjacent to kegs. (CO-RR shown installed on shelf)



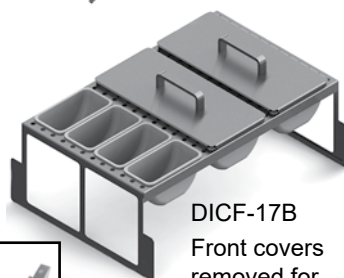
CWS-20 Wine rack shelf for 20" door opening



06010158 Clip-on shelf divider for middle and top shelf



DICP-17B



DICF-17B Front covers removed for illustrative purposes



DIP-18 Pans not included

## ACCESSORIES

MODEL	DESCRIPTION	LIST
CO-RR	Shelf retention rail	\$66
CWS-12	Wine rack shelf for 12" door opening, 3 bottle	\$141
CWS-16	Wine rack shelf for 16" door opening, 5 bottle	\$164
CWS-17	Wine rack shelf for 17.5" door opening, 5 bottle	\$176
CWS-18	Wine rack shelf for 18" door opening, 5 bottle	\$178
CWS-20	Wine rack shelf for 20" door opening, 7 bottle	\$186
DICF-12B	Drawer insert, condiments, full, 12" door opening, bar-profile cooler, 8 cups	\$440
DICP-12B	Drawer insert, condiments, partial, 12" door opening, bar-profile cooler, 6 cups	\$355
DICF-16B	Drawer insert, condiments, full, 16" door opening, bar-profile cooler, 12 cups	\$565
DICP-16B	Drawer insert, condiments, partial, 16" door opening, bar-profile cooler, 8 cups	\$426
DICF-17B	Drawer insert, condiments, full, 17.5" door opening, bar-profile cooler, 12 cups	\$568
DICP-17B	Drawer insert, condiments, partial, 17.5" door opening, bar-profile cooler, 8 cups	\$429
DICF-18B	Drawer insert, condiments, full, 18" door opening, bar-profile cooler, 12 cups	\$571
DICP-18B	Drawer insert, condiments, partial, 18" door opening, bar-profile cooler, 8 cups	\$431
DICF-20B	Drawer insert, condiments, full, 20" door opening, bar-profile cooler, 15 cups	\$665
DICP-20B	Drawer insert, condiments, partial, 20" door opening, bar-profile cooler, 10 cups	\$492
DIP-17	Drawer insert for fractional stainless pans, 17.5" door opening (pans not included)	\$234
DIP-18	Drawer insert for fractional stainless pans, 18" door opening (pans not included)	\$239
DIP-20	Drawer insert for fractional stainless pans, 20" door opening (pans not included)	\$261
06010158	Clip-on shelf divider for middle and top shelf	\$36
06006013	Clip-on shelf divider for bottom shelf only	\$36

**Draft Beverage Compatible**



**Select Configurable Options:**

**VOLTAGE**

120V/60HZ	No charge
220V/50HZ (export voltage)	\$279

**TEMPERATURE**

Beer / Food, 34° to 40°, standard	No charge
White wine, 50° to 55°	No charge
Red wine, 60° to 65°	No charge

**REFRIGERATION COMPARTMENT LOCATION**

Left	No charge
Right	No charge

**REFRIGERATION COMPARTMENT COVER FINISH**

Black vinyl-clad	No charge
Stainless steel	\$36
Jeweled stainless steel	\$211

**DOOR/DRAWER OPTIONS**  
NOTE: Select options for EACH Door/Drawer Section

**STYLE AND FINISH - PER SECTION**

Door - Black vinyl-clad	No charge
Door - Unlaminated	No charge
Door - Stainless steel	\$43
Door - Jeweled stainless	\$229
Door - Laminated	\$262
Door - Glass, black vinyl-clad	\$507
Door - Glass, stainless steel	\$550
Door - Glass, jeweled stainless	\$736
Door - Glass, laminated	\$769
Drawers* - Black vinyl-clad	\$2,099
Drawers* - Unlaminated	\$2,099
Drawers* - Stainless steel	\$2,142
Drawers* - Jeweled stainless	\$2,328
Drawers* - Laminated	\$2,361

\*NOTE: Units with drawers are manufactured to order and are not returnable.

**DOOR HINGE LOCATION - PER DOOR**

Left	No charge
Right	No charge

**SHELVING - PER DOOR**

Three adjustable shelves	No charge
Keg rack (deduct shelves)	(\$99)
Pull-out wine shelves:	
• w/upright & horizontal storage*	\$2,321
• w/upright storage*	\$1,549
• w/horizontal storage*	\$2,902

\*NOTE: Not available for 12" door opening models

**DOOR HANDLE - PER DOOR/DRAWER**

Signature handle (doors only)	No charge
Pull-tab handle - stainless or black to match door; black for laminate	No charge
Tube handle	No charge

NOTE: All coolers with drawers are manufactured to order and are not returnable.

\*NOTE: C1SB20, C1SB28, C1SB36, and C1SB44 coolers are manufactured to order and are not returnable.

**TOP STYLE**

	20"	24"	28"	36"	44"	48"
No finished top	No charge					
Stainless top	\$374	\$399	\$422	\$471	\$521	\$545

**LEFT SIDE FINISH**

Black vinyl-clad	No charge
Stainless Steel	\$43
Laminated	\$262

**RIGHT SIDE FINISH**

Black vinyl-clad	No charge
Stainless Steel	\$43
Laminated	\$262

**BACK FINISH**

	20"	24"	28"	36"	44"	48"
Galvanized steel	No charge					
Stainless steel*	\$318	\$331	\$342	\$366	\$391	\$405

\*NOTE: Stainless steel back option also includes stainless steel sides.

**LED LIGHTING STYLE**

Bright white (7,000k), standard	No charge
Warm white (3,500k)	No charge
Amber (2,700k)	No charge
Blue	No charge

**LEG AND STAINLESS STEEL KICK RAILS**  
NOTE: Legs are required if kick rails are ordered.

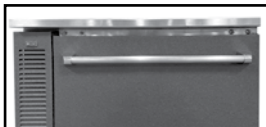
	20"	24"	28"	36"	44"	48"
6" legs	\$185	\$185	\$185	\$185	\$185	\$185
Front kick rail	\$112	\$115	\$120	\$129	\$138	\$143
Left side kick rail	\$115	\$115	\$115	\$115	\$115	\$115
Right side kick rail	\$115	\$115	\$115	\$115	\$115	\$115

**CASTERS**

	24"	28"	36"	44"	48"
4-1/8" casters	\$165	\$165	\$165	\$165	\$165
2-7/8" casters	\$160	\$160	\$160	\$160	\$160



Drawer pull-tab handle



Drawer tube handle



Signature handle



Pull-tab handle



Optional drawers include adjustable divider walls



Optional pull-out wine shelves  
Horizontal (left) and upright (right) storage shown



Tube handle

**Bar Refrigeration**



C2SB48 with compressor left, stainless doors, and stainless top



## PRODUCT INFORMATION

(see C2SB Spec Sheet for complete details)

### STANDARD FEATURES:

- Self-contained
- All stainless steel interior construction
- Available in three different configurations: beer/white wine, beer/red wine, or white/red wine
- The warmer compartment is always a single door located opposite the compressor end
- Draft beverage compatible - see page 86
- Listed to NSF Standard 7 for closed container products

\*NOTE: C2SB coolers are manufactured to order and are not returnable.

## COOLERS - TWO ZONE, SIDE SERVICED, BAR PROFILE

MODEL	LIST	LENGTH	DOORS	DOOR				LONGNECK	750MLWINE	1/2BARREL	1/6BARREL
				OPENING	WEIGHT	AMPS	HP				
C2SB36	\$9,346	36"	2	12" W	317#	2.75	1/8	6.5	63	N/A	4† ♠
C2SB44	\$9,708	44"	2	16" W	347#	2.75	1/8	9.7	109	N/A	4 ♠
C2SB48	\$9,891	48"	2	18" W	360#	2.75	1/8	12.5	109	2	6 ♠

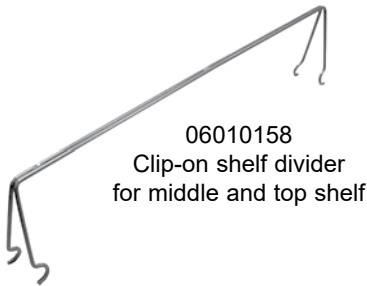
Base price only. See next page for configurable options.

\*\*Wine bottle capacity is based on adjustable shelves. Drawers will hold fewer.

† If CO<sub>2</sub> tank is stored internally, reduce capacity by one keg

♠ Requires one 05001026 low profile Sanke keg tap - see page 86

Bar Refrigeration

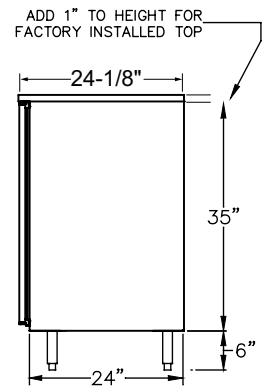


Optional drawers include adjustable divider walls

\*NOTE: All coolers with drawers are manufactured to order and are not returnable.



CWS-16  
Wine rack shelf for 16" door opening



Side Elevation

## ACCESSORIES

MODEL	DESCRIPTION	LIST
CWS-12	Wine rack shelf for 12" door opening, 3 bottle	\$141
CWS-16	Wine rack shelf for 16" door opening, 5 bottle	\$164
CWS-18	Wine rack shelf for 18" door opening, 5 bottle	\$178
06010158	Clip-on shelf divider for middle and top shelf	\$36
06006013	Clip-on shelf divider for bottom shelf only	\$36

**Draft Beverage  
Compatible**



\*NOTE: C2SB coolers are manufactured to order and are not returnable.

**Select Configurable Options:**

**VOLTAGE**

120V/60HZ	No charge
220V/50HZ (export voltage)	\$279

**TEMPERATURE**

Beer/White wine - 34° to 40°/ 50° to 55°	No charge
Beer/Red wine - 34° to 40°/ 60° to 65°	No charge
White/Red wine - 50° to 55°/ 60° to 65°	No charge

**REFRIGERATION COMPARTMENT LOCATION**

Left	No charge
Right	No charge

**REFRIGERATION COMPARTMENT COVER FINISH**

Black vinyl-clad	No charge
Stainless steel	\$36
Jeweled stainless steel	\$211

**DOOR/DRAWER OPTIONS**

NOTE: Select options for EACH Door/Drawer Section

**STYLE AND FINISH - PER SECTION**

Door - Black vinyl-clad	No charge
Door - Unlaminated	No charge
Door - Stainless steel	\$43
Door - Jeweled stainless	\$229
Door - Laminated	\$262
Door - Glass, black vinyl-clad	\$507
Door - Glass, stainless steel	\$550
Door - Glass, jeweled stainless	\$736
Door - Glass, laminated	\$769
Drawers - Black vinyl-clad	\$2,099
Drawers - Unlaminated	\$2,099
Drawers - Stainless steel	\$2,142
Drawers - Jeweled stainless	\$2,328
Drawers - Laminated	\$2,361

**DOOR HINGE LOCATION - PER DOOR**

Left	No charge
Right	No charge

**SHELVING - PER DOOR**

Three adjustable shelves	No charge
Keg rack (deduct shelves)	(\$99)
Pull-out wine shelves:	
• w/upright & horizontal storage*	\$2,321
• w/upright storage*	\$1,549
• w/horizontal storage*	\$2,902

\*NOTE: Not available for 12" door opening models

**DOOR HANDLE - PER DOOR/DRAWER**

Signature handle (doors only)	No charge
Pull-tab handle - stainless or black to match door; black for laminate	No charge
Tube handle	No charge



Optional pull-out wine shelves Horizontal (left) and upright (right) storage shown



**TOP STYLE**

	<u>36"</u>	<u>44"</u>	<u>48"</u>
No finished top	No charge		
Stainless top	\$471	\$521	\$545

**LEFT SIDE FINISH**

Black vinyl-clad	No charge
Stainless Steel	\$43
Laminated	\$262

**RIGHT SIDE FINISH**

Black vinyl-clad	No charge
Stainless Steel	\$43
Laminated	\$262

**BACK FINISH**

	<u>36"</u>	<u>44"</u>	<u>48"</u>
Galvanized steel	No charge		
Stainless steel*	\$366	\$391	\$405

\*NOTE: Stainless steel back option also includes stainless steel sides.

**LED LIGHTING STYLE**

Bright white (7,000k), standard	No charge
Warm white (3,500k)	No charge
Amber (2,700k)	No charge
Blue	No charge

**LEG AND STAINLESS STEEL KICK RAILS**

NOTE: Legs are required if kick rails are ordered.

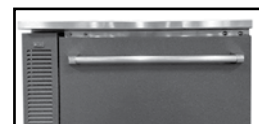
	<u>36"</u>	<u>44"</u>	<u>48"</u>
6" legs	\$185	\$185	\$185
Front kick rail	\$129	\$138	\$143
Left side kick rail	\$115	\$115	\$115
Right side kick rail	\$115	\$115	\$115

**CASTERS**

	<u>36"</u>	<u>44"</u>	<u>48"</u>
4-1/8" casters	\$165	\$165	\$165
2-7/8" casters	\$160	\$160	\$160



Drawer pull-tab handle



Drawer tube handle



Optional drawers include adjustable divider walls



Signature handle



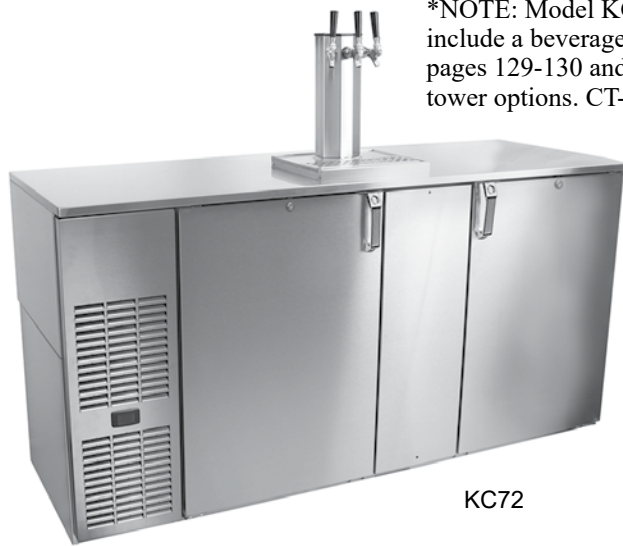
Pull-tab handle



Tube handle

Bar Refrigeration





\*NOTE: Model KC72 does not include a beverage tower. See pages 129-130 and 133-142 for tower options. CT-3-SS shown.

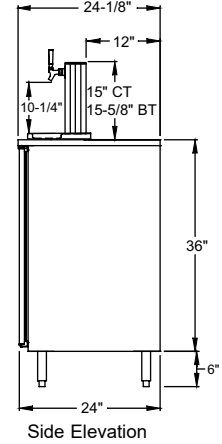


### PRODUCT INFORMATION

(see KC72 Spec Sheet for complete details)

#### STANDARD FEATURES:

- Self-contained
- Galvanized interior construction with stainless steel floor
- Stainless steel keg racks and 1/2" thick high-impact polypropylene threshold scuff plates
- Wide center mullion provides additional storage capacity
- Listed to NSF Standard 7 for closed container products



### 72" KEG COOLER

MODEL	LIST	LENGTH	DOORS	DOOR		WEIGHT	AMPS	HP	1/2BARREL	1/6BARREL
				OPENING	KEGS				KEGS	
KC72*	\$8,864	72"	2	20" W	410#	7.0	1/4	3	11	

Base price only. See below for configurable options.

## Select Configurable Options:

#### VOLTAGE

120V/60HZ	No charge
220V/50HZ (export voltage)	\$279

#### TEMPERATURE

Beer, 34° to 40°, standard	No charge
White wine, 50° to 55°	No charge
Red wine, 60° to 65°	No charge

#### REFRIGERATION COMPARTMENT LOCATION

Left	No charge
Right	No charge

#### FRONT FINISH

Black vinyl-clad	No charge
Stainless steel	\$158

#### DOOR OPTIONS

NOTE: Select options for EACH Door Section

#### DOOR HINGE LOCATION - PER DOOR

Left	No charge
Right	No charge

#### DOOR HANDLE - PER DOOR

Signature handle	No charge
Pull-tab handle - stainless or black to match door; black for laminate	No charge
Tube handle	No charge

#### TOP STYLE

No finished top	No charge
Stainless top	\$693

#### LEFT SIDE FINISH

Black vinyl-clad	No charge
Stainless Steel	\$43
Laminated	\$262

#### RIGHT SIDE FINISH

Black vinyl-clad	No charge
Stainless Steel	\$43
Laminated	\$262

#### BACK FINISH

Galvanized steel	No charge
Stainless steel*	\$479

\*NOTE: Stainless steel back option also includes stainless steel sides.

#### LEG AND STAINLESS STEEL KICK RAILS

NOTE: Legs are required if kick rails are ordered.

6" legs	\$277
Front kick rail	\$172
Left side kick rail	\$115
Right side kick rail	\$115

#### CASTERS

4-1/8" casters	\$249
2-7/8" casters	\$239



Signature handle



Pull-tab handle



Tube handle



## Configuring Bar Profile Coolers for Draft Beverage Dispensing

All Glastender bar profile coolers can be configured for draft beverage dispensing. Please note that a minimum 17" wide door opening is required for full size (i.e., 16" diameter) 1/2 barrel kegs. Refer to the capacity statements in the Product Directory or Specification Sheet for the sizes and quantities of kegs each unit will hold.

## Direct Draw Draft Beverage Towers

Glastender Beverage Towers include the stainless steel faucets and shanks necessary to dispense keg beer, wine, soda, coffee, or cocktails. See individual price pages for complete information.

Tee Tower shown  
See pages 129 - 144 for  
complete information

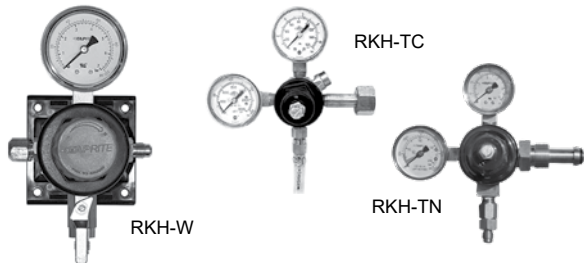
Look for the Draft Beer  
Compatible logo



## HIGH PRESSURE REGULATOR KITS

High pressure regulators reduce the gas pressure from the primary source. A tank mount regulator attaches directly to a gas cylinder, while a wall mount regulator splices into gas tubing when the gas supply is used for more than one system. RKH-TN regulator kits are used if pre-blended CO<sub>2</sub> and nitrogen or pure nitrogen cylinders are being used. All high pressure regulator kits include 50 feet of braided nylon gas tubing.

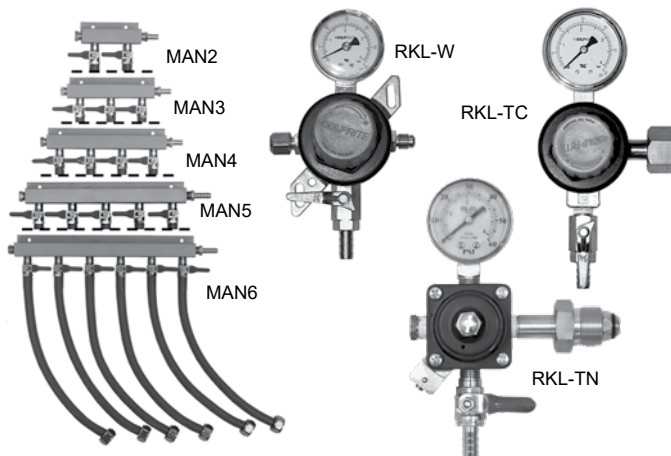
MODEL	DESCRIPTION	LIST	WGT
RKH-W	Wall mount, CO <sub>2</sub> or Nitrogen, single gauge	\$337	15#
RKH-TC	Tank mount, CO <sub>2</sub> , double gauge	\$288	15#
RKH-TN	Tank mount, Nitrogen, double gauge	\$390	15#



## LOW PRESSURE REGULATOR KITS

Low pressure regulator kits connect to the gas tubing exiting a high pressure regulator. If a 5 pound gas cylinder will be kept inside the cooler, a single gauge tank mounted RKL-TC or -TN will be required depending on the gas being used. All low pressure regulator kits include 6 feet of red gas tubing. For installations requiring more than one keg on tap, also order the appropriate size manifold kit. All manifold kits include 6 feet of red gas tubing per product, and the clamps required for connecting to keg couplers (sold separately).

MODEL	DESCRIPTION	LIST	WGT
RKL-W	Wall mount, CO <sub>2</sub> or Nitrogen, single gauge	\$306	7#
RKL-TC	Tank mount, CO <sub>2</sub> , single gauge	\$257	7#
RKL-TN	Tank mount, Nitrogen, single gauge	\$340	7#
MAN2	Two product manifold kit	\$226	2#
MAN3	Three product manifold kit	\$278	3#
MAN4	Four product manifold kit	\$341	4#
MAN5	Five product manifold kit	\$416	5#
MAN6	Six product manifold kit	\$491	6#



## ADDITIONAL ACCESSORIES

MODEL	DESCRIPTION	LIST	WGT
03004240	1/2" ID black drain line, per foot	\$2.77	N/A
05000400	5/16" ID red vinyl air line, per foot	\$2.50	N/A
05000386	1/4" ID nylon braided gas tubing, per foot	\$1.30	N/A
05001066	D system keg coupler w/ss probe	\$112.00	2#
05001026	D system keg coupler, low profile	\$418.00	2#
05002019	U System Keg Coupler, stainless probe, for Guinness & Harp	\$328.00	2#
05000368	Lock for beer faucet	\$130.00	2#
05000636	5# CO <sub>2</sub> tank (unfilled)	\$373.00	15#
LCK	Line cleaning kit	\$253.00	3#
06007084	Drain bottle	\$52.00	2#



## Tower Cooling Kits

Direct draw beverage towers are chilled by air from inside the host cooler. This is especially important for draft beer, as warm faucets cause the beer to foam.

## TOWER COOLING KITS

MODEL	DESCRIPTION	LIST	WGT
TCK12-1	For 1 & 2-door coolers w/ one tower column	\$243	3#
TCK12-2	For 1 & 2-door coolers w/ two tower columns	\$486	6#
TCK34-1	For 3 & 4-door coolers w/ one tower column	\$413	8#
TCK34-2	For 3 & 4-door coolers w/ two tower columns	\$532	11#
TCKR-1	For remote coolers w/ one tower column	\$243	3#
TCKR-2	For remote coolers w/ two tower columns	\$486	6#



CS1FB60 with compressor left, stainless doors and top

**COOLERS - SHALLOW DEPTH, ONE ZONE, FRONT SERVICED, BAR PROFILE**

MODEL	LIST	LENGTH	DOOR		WEIGHT	AMPS	HP	LONGNECK	750MLWINE
			DOORS	OPENING				CASES	BOTTLES
CS1FB52	\$8,249	52"	2	16" W	300#	3.5	1/8	8.1	77
CS1FB60	\$8,476	60"	2	20" W	325#	3.5	1/8	10.6	102
CS1FB72	\$9,810	72"	3	16" W	370#	3.5	1/8	12.8	121
CS1FB84	\$10,218	84"	3	20" W	410#	3.5	1/8	16.6	162

Base price only. See next page for configurable options.

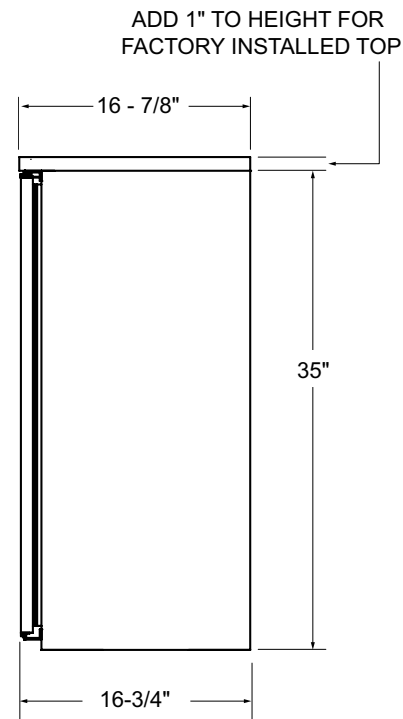
\*NOTE: CS1FB units are manufactured to order and are not returnable.

**PRODUCT INFORMATION**

(see CS1FB Spec Sheet for complete details)

**STANDARD FEATURES:**

- Self contained
- All stainless steel interior construction
- Three adjustable coated shelves per door included
- Listed as NSF Standard 7 for open food as a display refrigerator



Side Elevation

\*NOTE: CS1FB units are manufactured to order and are not returnable.

### Select Configurable Options:

#### VOLTAGE

120V/60HZ	No charge
220V/50HZ (export voltage)	\$279

#### TEMPERATURE

Beer / Food, 34° to 40°, standard	No charge
White wine, 50° to 55°	No charge
Red wine, 60° to 65°	No charge

#### REFRIGERATION COMPARTMENT LOCATION

Left	No charge
Right	No charge

#### REFRIGERATION COMPARTMENT COVER FINISH

Black vinyl-clad	No charge
Unlaminated	No charge
Stainless steel	\$36
Jeweled stainless steel	\$211
Laminated	\$245

#### DOOR OPTIONS

NOTE: Select options for EACH Door Section

#### STYLE AND FINISH - PER SECTION

Door - Black vinyl-clad	No charge
Door - Unlaminated	No charge
Door - Stainless steel	\$43
Door - Jeweled stainless	\$229
Door - Laminated	\$262
Door - Glass, black vinyl-clad	\$507
Door - Glass, stainless steel	\$550
Door - Glass, jeweled stainless	\$736
Door - Glass, laminated	\$769

#### DOOR HINGE LOCATION - PER DOOR

Left	No charge
Right	No charge

#### DOOR HANDLE - PER DOOR

Signature handle	No charge
Pull-tab handle - stainless or black to match door; black for laminate	No charge
Tube handle	No charge

#### TOP STYLE

	52"	60"	72"	84"
No finished top	No charge			
Stainless top	\$570	\$619	\$693	\$767

#### LEFT SIDE FINISH

Black vinyl-clad	No charge			
Stainless Steel	\$43			
Laminated	\$262			

#### RIGHT SIDE FINISH

Black vinyl-clad	No charge			
Stainless Steel	\$43			
Laminated	\$262			

#### BACK FINISH

	52"	60"	72"	84"
Galvanized steel	No charge			
Stainless steel*	\$417	\$442	\$479	\$515

\*NOTE: Stainless steel back option also includes stainless steel sides.

#### LED LIGHTING STYLE

Bright white (7,000k), standard	No charge			
Warm white (3,500k)	No charge			
Amber (2,700k)	No charge			
Blue	No charge			

#### LEG AND STAINLESS STEEL KICK RAILS

NOTE: Legs are required if kick rails are ordered.

	52"	60"	72"	84"
6" legs	\$185	\$185	\$277	\$277
Front kick rail	\$147	\$157	\$172	\$185
Left side kick rail	\$115	\$115	\$115	\$115
Right side kick rail	\$115	\$115	\$115	\$115

#### CASTERS

	52"	60"	72"	84"
4-1/8" casters	\$165	\$165	\$249	\$249
2-7/8" casters	\$160	\$160	\$239	\$239



Signature handle



Pull-tab handle



Tube handle

Bar Refrigeration



CS1RB60 with refrigeration hook up left, stainless doors and top

**PRODUCT INFORMATION**

(see CS1RB Spec Sheet for complete details)

**STANDARD FEATURES:**

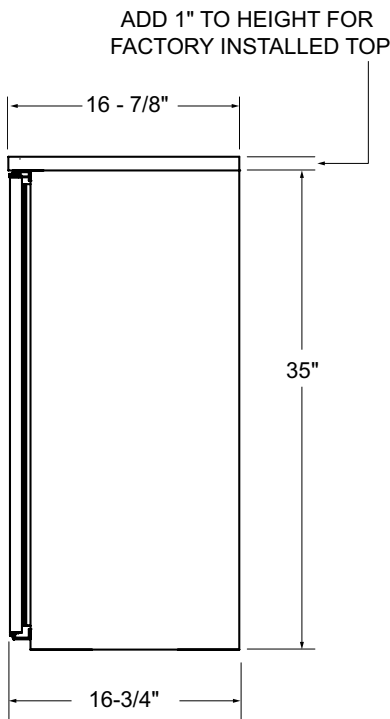
- DOE 2017 compliant
- Remote unit
- All stainless steel interior construction
- Three adjustable coated shelves per door included
- Listed to NSF Standard 7 for open food as a storage refrigerator

**COOLERS - SHALLOW DEPTH, ONE ZONE, REMOTE, BAR PROFILE\***

MODEL	LIST	LENGTH	DOORS	WEIGHT	BTU/HR	LONG NECK 750ML WINE	
						CASES	BOTTLES
CS1RB40*	\$5,771	40"	2	260#	975	7.1	66
CS1RB60*	\$7,662	60"	3	370#	1,250	11.8	110
CS1RB80*	\$9,738	80"	4	475#	1,550	16.4	152

Base price only. See next page for configurable options.

\*NOTE: CS1RB units are manufactured to order and are not returnable.



Side Elevation

**CONDENSING UNITS AND INSTALLATION KITS\*\***

MODEL	DESCRIPTION	LIST	WT
06006621**	1/3 HP R134a condensing unit kit, includes filter dryer, sight glass, and defrost timer. 2800 BTU/hr rated cooling capacity at 15°F evaporator temperature and 85°F ambient temperature. (13-1/2"W x 17"D x 9"H)	\$1,740	60#
06006622**	1/2 HP R134a condensing unit kit, includes filter dryer, sight glass, and defrost timer. 4100 BTU/hr rated cooling capacity at 15°F evaporator temperature and 85°F ambient temperature. (13-1/2"W x 18-1/4"D x 9-1/2"H)	\$2,584	60#
06009006**	1/3 HP R404A condensing unit kit, includes filter dryer, sight glass, and defrost timer. 2750 BTU/hr rated cooling capacity at 15°F evaporator temperature and 85°F ambient temperature. (13-1/2"W x 17"D x 9"H)	\$2,763	60#
06009007**	1/2 HP R404A condensing unit kit, includes filter dryer, sight glass, and defrost timer. 4500 BTU/hr rated cooling capacity at 15°F evaporator temperature and 85°F ambient temperature. (13-1/2"W x 18-1/4"D x 9-1/2"H)	\$3,257	60#

\*\*NOTE: Consult the applicable remote refrigerator specification sheet and your refrigeration installer to select the correct condensing unit for your installation. Standard piping practices and local codes should be employed to size and install refrigerant gas and liquid lines.

ACCESSORY FOR CONDENSING UNIT			
06001413	Switch, low pressure control, for remote condensing unit	\$514	3#
ACCESSORY FOR REMOTE COOLER CABINET			
SVC	Solenoid valve and coil kit, for remote unit	\$497	6#
SVC-L	Solenoid valve and coil kit with factory installation, for remote unit	\$811	6#

Bar Refrigeration

\*NOTE: CS1RB units are manufactured to order and are not returnable.

### Select Configurable Options:

#### VOLTAGE

120V/60HZ	No charge
220V/50HZ (export voltage)	\$141

#### TEMPERATURE

Beer / Food, 34° to 40°, standard	No charge
White wine, 50° to 55°	No charge
Red wine, 60° to 65°	No charge

#### EXPANSION VALVE TYPE

R134a	No charge
R404a	No charge
R407a/R422D	No charge
R448a	No charge

#### REFRIGERATION HOOK-UP LOCATION

Left	No charge
Right	No charge

#### DOOR OPTIONS

NOTE: Select options for EACH Door Section

#### STYLE AND FINISH - PER DOOR

Door - Black vinyl-clad	No charge
Door - Unlaminated	No charge
Door - Stainless steel	\$43
Door - Jeweled stainless	\$229
Door - Laminated	\$262
Door - Glass, black vinyl-clad	\$507
Door - Glass, stainless steel	\$550
Door - Glass, jeweled stainless	\$736
Door - Glass, laminated	\$769

#### DOOR HINGE LOCATION - PER DOOR

Left	No charge
Right	No charge

#### DOOR HANDLE - PER DOOR

Signature handle	No charge
Pull-tab handle - stainless or black to match door; black for laminate	No charge
Tube handle	No charge

#### TOP STYLE

	40"	60"	80"
No finished top		No charge	
Stainless top	\$495	\$619	\$743

#### LEFT SIDE FINISH

Black vinyl-clad	No charge
Stainless Steel	\$43
Laminated	\$262

#### RIGHT SIDE FINISH

Black vinyl-clad	No charge
Stainless Steel	\$43
Laminated	\$262

#### BACK FINISH

	40"	60"	80"
Galvanized steel		No charge	
Stainless steel*	\$378	\$442	\$504

\*NOTE: Stainless steel back option also includes stainless steel sides.

#### LED LIGHTING STYLE

Bright white (7,000k), standard	No charge
Warm white (3,500k)	No charge
Amber (2,700k)	No charge
Blue	No charge

#### LEG AND STAINLESS STEEL KICK RAILS

NOTE: Legs are required if kick rails are ordered.

	40"	60"	80"
6" legs	\$185	\$277	\$277
Front kick rail	\$132	\$157	\$181
Left side kick rail	\$115	\$115	\$115
Right side kick rail	\$115	\$115	\$115



Signature handle



Pull-tab handle



Tube handle

Bar Refrigeration



C1FL60 with compressor left, and stainless doors and top

**PRODUCT INFORMATION**

(see C1FL Spec Sheet for complete details)

**STANDARD FEATURES:**

- Self-contained
- All stainless steel interior construction
- Listed to NSF Standard 7 for open food as a storage refrigerator

\*NOTE: C1FL units are manufactured to order and are not returnable.

**COOLERS - ONE ZONE, FRONT SERVICED, LOW PROFILE\***

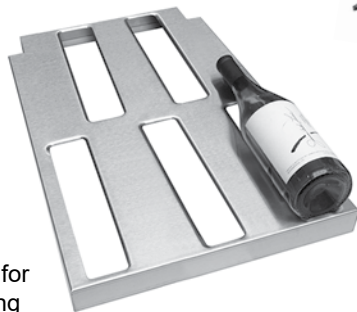
MODEL	LIST	LENGTH	DOORS	DOOR				LONGNECK	750MLWINE
				OPENING	WEIGHT	AMPS	HP		
C1FL32*	\$6,203	32"	1	16" W	220#	3.0	1/8	3.8	30
C1FL36*	\$6,264	36"	1	20" W	235#	3.0	1/8	5.2	36
C1FL52*	\$8,135	52"	2	16" W	300#	7.0	1/4	8.8	60
C1FL60*	\$8,301	60"	2	20" W	320#	7.0	1/4	11.5	84
C1FL72*	\$9,781	72"	3	16" W	390#	7.0	1/4	14.0	96
C1FL84*	\$9,982	84"	3	20" W	420#	7.0	1/4	18.0	126
C1FL92*	\$11,744	92"	4	16" W	550#	7.0	1/4	19.2	132
C1FL108*	\$11,984	108"	4	20" W	570#	7.0	1/4	24.5	168

Base price only. See next page for configurable options.

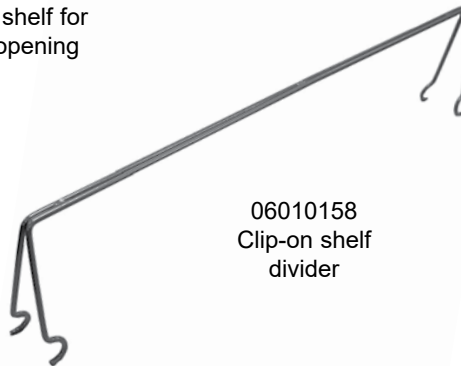
Bar Refrigeration



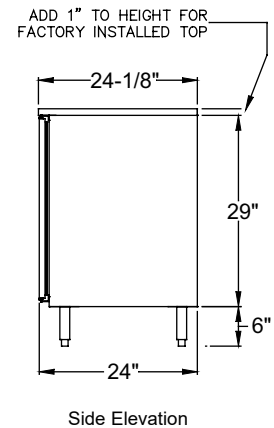
CWS-20  
Wine rack shelf for 20" door opening



CWS-16  
Wine rack shelf for 16" door opening



06010158  
Clip-on shelf divider



**ACCESSORIES**

MODEL	DESCRIPTION	LIST
CWS-16	Wine rack shelf for 16" door opening, 5 bottle	\$164
CWS-20	Wine rack shelf for 20" door opening, 7 bottle	\$186
06010158	Clip-on shelf divider	\$36

\*NOTE: C1FL units are manufactured to order and are not returnable.

### Select Configurable Options:

#### VOLTAGE

120V/60HZ	No charge
220V/50HZ (export voltage)	\$279

#### TEMPERATURE

Beer / Food, 34° to 40°, standard	No charge
White wine, 50° to 55°	No charge
Red wine, 60° to 65°	No charge

#### REFRIGERATION COMPARTMENT LOCATION

Left	No charge
Right	No charge

#### REFRIGERATION COMPARTMENT COVER FINISH

Black vinyl-clad	No charge
Unlaminated	No charge
Stainless steel	\$36
Jeweled stainless steel	\$211
Laminated	\$245

#### DOOR OPTIONS

NOTE: Select options for EACH Door Section

#### STYLE AND FINISH - PER SECTION

Door - Black vinyl-clad	No charge
Door - Unlaminated	No charge
Door - Stainless steel	\$43
Door - Jeweled stainless	\$229
Door - Laminated	\$262
Door - Glass, black vinyl-clad	\$507
Door - Glass, stainless steel	\$550
Door - Glass, jeweled stainless	\$736
Door - Glass, laminated	\$769

#### DOOR HINGE LOCATION - PER DOOR

Left	No charge
Right	No charge

#### SHELVING - PER DOOR

Two adjustable shelves	No charge
Pull-out wine shelves:	
• w/upright and horizontal storage	\$1,906
• w/horizontal storage*	\$2,541

\*Note: Not available for door next to the compressor compartment

#### DOOR HANDLE - PER DOOR

Signature handle	No charge
Pull-tab handle - stainless or black to match door; black for laminate	No charge
Tube handle	No charge

#### TOP STYLE

	32"	36"	52"	60"	72"	84"	92"	108"
No finished top	No charge							
Stainless top	\$447	\$471	\$570	\$619	\$693	\$767	\$816	\$917
Drainboard top	\$743	\$788	\$960	\$1,047	\$1,173	\$1,303	\$1,390	\$1,562

#### 4" HIGH STAINLESS SPLASHES

	32"	36"	52"	60"	72"	84"	92"	108"
NOTE: Can only be ordered with stainless steel top								
Backsplash	\$158	\$168	\$197	\$210	\$233	\$254	\$269	\$298
Left side splash	\$146	\$146	\$146	\$146	\$146	\$146	\$146	\$146
Right side splash	\$146	\$146	\$146	\$146	\$146	\$146	\$146	\$146

#### LEFT SIDE FINISH

Black vinyl-clad	No charge
Stainless Steel	\$43
Laminated	\$262

#### RIGHT SIDE FINISH

Black vinyl-clad	No charge
Stainless Steel	\$43
Laminated	\$262

#### BACK FINISH

	32"	36"	52"	60"	72"	84"	92"	108"
Galvanized steel	No charge							
Stainless steel*	\$356	\$366	\$417	\$442	\$479	\$515	\$542	\$591

\*NOTE: Stainless steel back option also includes stainless steel sides.

#### LED LIGHTING STYLE

Bright white (7,000k), standard	No charge
Warm white (3,500k)	No charge
Amber (2,700k)	No charge
Blue	No charge

#### LEG AND STAINLESS STEEL KICK RAILS

NOTE: Legs are required if kick rails are ordered.

	32"	36"	52"	60"	72"	84"	92"	108"
6" legs	\$230	\$230	\$185	\$185	\$277	\$277	\$277	\$277
Front kick rail	\$124	\$129	\$147	\$157	\$172	\$185	\$195	\$212
Left side kick rail	\$115	\$115	\$115	\$115	\$115	\$115	\$115	\$115
Right side kick rail	\$115	\$115	\$115	\$115	\$115	\$115	\$115	\$115

#### CASTERS

	32"	36"	52"	60"	72"	84"	92"	108"
4-1/8" casters	\$202	\$202	\$165	\$165	\$249	\$249	\$249	\$249
2-7/8" casters	\$200	\$200	\$160	\$160	\$239	\$239	\$239	\$239

Bar Refrigeration



Optional pull-out wine shelves Horizontal (left) and upright (right) storage shown



Signature handle



Pull tab handle



Tube handle





C1RL96 with refrigeration hook up left, stainless doors and top

**PRODUCT INFORMATION**

(see C1RL Spec Sheets for complete details)

**STANDARD FEATURES:**

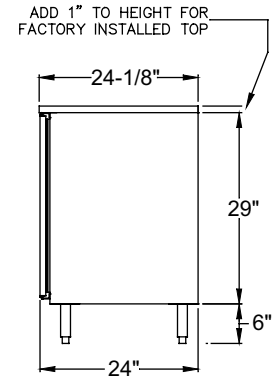
- Remote unit
- All stainless steel interior construction
- Listed to NSF Standard 7 for open food as a storage refrigerator

**COOLERS - ONE ZONE, REMOTE, LOW PROFILE\***

MODEL	LIST	LENGTH	DOOR		WEIGHT	BTU /HR	LONGNECK	750MLWINE
			DOORS	OPENING			CASES	BOTTLES
C1RL24*	\$4,699	24" W	1	20"	170#	800	4.3	36
C1RL40*	\$5,820	40" W	2	16"	270#	1,000	8.2	60
C1RL48*	\$5,939	48" W	2	20"	275#	1,000	10.3	84
C1RL60*	\$7,777	60" W	3	16"	380#	1,300	12.8	96
C1RL72*	\$7,937	72" W	3	20"	390#	1,300	16.8	126
C1RL80*	\$9,649	80" W	4	16"	485#	1,600	18.0	132
C1RL96*	\$9,846	96" W	4	20"	500#	1,600	23.3	168

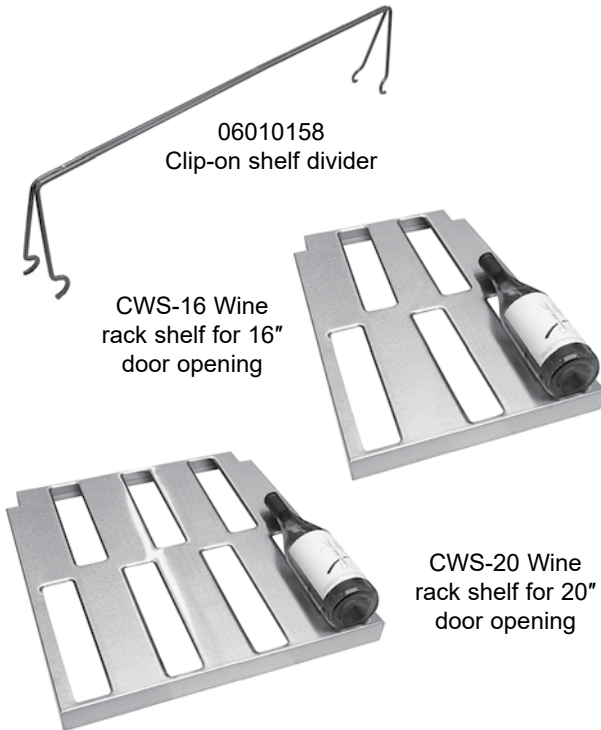
Base price only. See next page for configurable options.

\*C1RL coolers are manufactured to order and are not returnable.



Side Elevation

**Bar Refrigeration**



**CONDENSING UNITS AND INSTALLATION KITS\*\***

MODEL	DESCRIPTION	LIST	WT
06006621**	1/3 HP R134a condensing unit kit, includes filter dryer, sight glass, and defrost timer. 2800 BTU/hr rated cooling capacity at 15°F evaporator temperature and 85°F ambient temperature. (13-1/2"W x 17"D x 9"H)	\$1,740	60#
06006622**	1/2 HP R134a condensing unit kit, includes filter dryer, sight glass, and defrost timer. 4100 BTU/hr rated cooling capacity at 15°F evaporator temperature and 85°F ambient temperature. (13-1/2"W x 18-1/4"D x 9-1/2"H)	\$2,584	60#
06009006**	1/3 HP R404A condensing unit kit, includes filter dryer, sight glass, and defrost timer. 2750 BTU/hr rated cooling capacity at 15°F evaporator temperature and 85°F ambient temperature. (13-1/2"W x 17"D x 9"H)	\$2,763	60#
06009007**	1/2 HP R404A condensing unit kit, includes filter dryer, sight glass, and defrost timer. 4500 BTU/hr rated cooling capacity at 15°F evaporator temperature and 85°F ambient temperature. (13-1/2"W x 18-1/4"D x 9-1/2"H)	\$3,257	60#

**\*\*NOTE: Consult the applicable remote refrigerator specification sheet and your refrigeration installer to select the correct condensing unit for your installation. Standard piping practices and local codes should be employed to size and install refrigerant gas and liquid lines.**

**ACCESSORIES**

MODEL	DESCRIPTION	LIST
CWS-16	Wine rack shelf for 16" door opening, 5 bottle	\$164
CWS-20	Wine rack shelf for 20" door opening, 7 bottle	\$186
06010158	Clip-on shelf divider	\$36

**ACCESSORY FOR CONDENSING UNIT**

06001413	Switch, low pressure control, for remote condensing unit	\$514	3#
----------	--	-------	----

**ACCESSORY FOR REMOTE COOLER CABINET**

SVC	Solenoid valve and coil kit, for remote unit	\$497	6#
SVC-L	Solenoid valve and coil kit with factory installation, for remote unit	\$811	6#

\*NOTE: C1RL coolers are manufactured to order and are not returnable.

### Select Configurable Options:

#### VOLTAGE

120V/60HZ	No charge
220V/50HZ (export voltage)	\$141

#### TEMPERATURE

Beer / Food, 34° to 40°, standard	No charge
White wine, 50° to 55°	No charge
Red wine, 60° to 65°	No charge

#### EXPANSION VALVE TYPE

R134a	No charge
R404a	No charge
R407a/R422D	No charge
R448a	No charge

#### REFRIGERATION HOOK-UP LOCATION

Left	No charge
Right	No charge

#### DOOR OPTIONS

NOTE: Select options for EACH Door Section

#### STYLE AND FINISH - PER DOOR

Door - Black vinyl-clad	No charge
Door - Unlaminated	No charge
Door - Stainless steel	\$43
Door - Jeweled stainless	\$229
Door - Laminated	\$262
Door - Glass, black vinyl-clad	\$507
Door - Glass, stainless steel	\$550
Door - Glass, jeweled stainless	\$736
Door - Glass, laminated	\$769

#### DOOR HINGE LOCATION - PER DOOR

Left	No charge
Right	No charge

#### SHELVING - PER DOOR

Two adjustable shelves	No charge
Pull-out wine shelves w/upright and horizontal storage	\$1,750

#### DOOR HANDLE - PER DOOR

Signature handle	No charge
Pull-tab handle - stainless or black to match door; black for laminate	No charge
Tube handle	No charge

#### TOP STYLE

	24"	40"	48"	60"	72"	80"	96"
No finished top	No charge						
Stainless top	\$399	\$495	\$545	\$619	\$693	\$743	\$841

#### 4" HIGH STAINLESS SPLASHES

	24"	40"	48"	60"	72"	80"	96"
NOTE: Can only be ordered with stainless steel top							
Backsplash	\$146	\$174	\$187	\$210	\$233	\$246	\$276
Left side splash	\$146	\$146	\$146	\$146	\$146	\$146	\$146
Right side splash	\$146	\$146	\$146	\$146	\$146	\$146	\$146

#### LEFT SIDE FINISH

Black vinyl-clad	No charge
Stainless Steel	\$43
Laminated	\$262

#### RIGHT SIDE FINISH

Black vinyl-clad	No charge
Stainless Steel	\$43
Laminated	\$262

#### BACK FINISH

	24"	40"	48"	60"	72"	80"	96"
Galvanized steel	No charge						
Stainless steel*	\$331	\$378	\$405	\$442	\$479	\$504	\$553

\*NOTE: Stainless steel back option also includes stainless steel sides.

#### LED LIGHTING STYLE

Bright white (7,000k), standard	No charge
Warm white (3,500k)	No charge
Amber (2,700k)	No charge
Blue	No charge

#### LEG AND STAINLESS STEEL KICK RAILS

NOTE: Legs are required if kick rails are ordered.

	24"	40"	48"	60"	72"	80"	96"
6" legs	\$185	\$185	\$185	\$277	\$277	\$277	\$277
Front kick rail	\$115	\$132	\$143	\$157	\$172	\$181	\$200
Left side kick rail	\$115	\$115	\$115	\$115	\$115	\$115	\$115
Right side kick rail	\$115	\$115	\$115	\$115	\$115	\$115	\$115

Bar Refrigeration



Optional pull-out wine shelves  
Horizontal (left) and upright (right) storage shown



Signature handle



Pull-tab handle



Tube handle



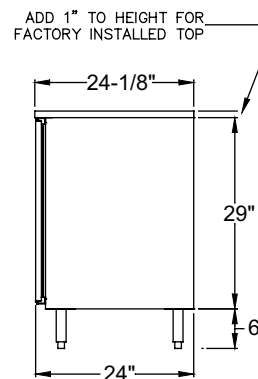
C1SL48  
with compressor left,  
stainless doors and top

**PRODUCT INFORMATION**

(see C1SL Spec Sheet for complete details)

**STANDARD FEATURES:**

- Self-contained
- All stainless steel interior construction
- Listed to NSF Standard 7 for open food as a storage refrigerator



Side Elevation

**COOLERS - ONE ZONE, SIDE SERVICED, LOW PROFILE**

MODEL	LIST	LENGTH	DOOR		WEIGHT	AMPS	HP	LONGNECK	750MLWINE
			DOORS	OPENING				CASES	BOTTLES**
C1SL24	\$5,605	24"	1	17.5" W	180#	2.75	1/8	4.5	30
C1SL28	\$5,817	28"	1	20" W	195#	2.75	1/8	5.1	36
C1SL36	\$7,587	36"	2	12" W	230#	2.75	1/8	6.9	53
C1SL44	\$7,890	44"	2	16" W	255#	2.75	1/8	8.9	66
C1SL48	\$8,043	48"	2	18" W	280#	2.75	1/8	10.3	77

\*\*Wine bottle capacity is based on adjustable shelves. Drawers are not intended for upright storage of wine bottles.

\*NOTE: C1SL units are manufactured to order and are not returnable.

Base price only. See next page for configurable options.

**ACCESSORIES**

MODEL	DESCRIPTION	LIST
CO-RR	Shelf retention rail	\$66
CWS-12	Wine rack shelf for 12" door opening, 3 bottle	\$141
CWS-16	Wine rack shelf for 16" door opening, 5 bottle	\$164
CWS-17	Wine rack shelf for 17.5" door opening, 5 bottle	\$176
CWS-18	Wine rack shelf for 18" door opening, 5 bottle	\$178
CWS-20	Wine rack shelf for 20" door opening, 7 bottle	\$186
DICF-12L	Drawer insert, condiments, full, 12" door opening, low-profile cooler, 6 cups	\$350
DICP-12L	Drawer insert, condiments, partial, 12" door opening, low-profile cooler, 4 cups	\$263
DICF-16L	Drawer insert, condiments, full, 16" door opening, low-profile cooler, 12 cups	\$515
DICP-16L	Drawer insert, condiments, partial, 16" door opening, low-profile cooler, 8 cups	\$374
DICF-17L	Drawer insert, condiments, full, 17.5" door opening, low-profile cooler, 12 cups	\$519
DICP-17L	Drawer insert, condiments, partial, 17.5" door opening, low-profile cooler, 8 cups	\$376
DICF-18L	Drawer insert, condiments, full, 18" door opening, low-profile cooler, 12 cups	\$524
DICP-18L	Drawer insert, condiments, partial, 18" door opening, low-profile cooler, 8 cups	\$378
DICF-20L	Drawer insert, condiments, full, 20" door opening, low-profile cooler, 15 cups	\$606
DICP-20L	Drawer insert, condiments, partial, 20" door opening, low-profile cooler, 10 cups	\$433
DIP-17	Drawer insert for fractional stainless pans, 17.5" door opening (pans not included)	\$234
DIP-18	Drawer insert for fractional stainless pans, 18" door opening (pans not included)	\$239
DIP-20	Drawer insert for fractional stainless pans, 20" door opening (pans not included)	\$261
06010158	Clip-on shelf divider	\$36

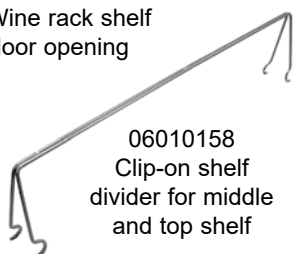
Bar Refrigeration



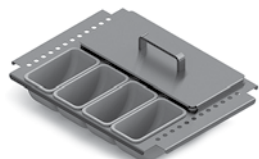
The CO-RR shelf retention rail should be used on all shelves adjacent to kegs. (CO-RR shown installed on shelf)



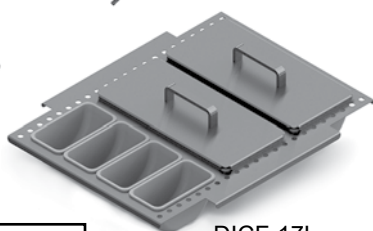
CWS-20 Wine rack shelf for 20" door opening



06010158  
Clip-on shelf divider for middle and top shelf



DICP-17L



DICF-17L

Front covers removed for illustrative purposes



DIP-18  
Pans not included

## Select Configurable Options:

### VOLTAGE

120V/60HZ	No charge
220V/50HZ (export voltage)	\$279

### TEMPERATURE

Beer / Food, 34° to 40°, standard	No charge
White wine, 50° to 55°	No charge
Red wine, 60° to 65°	No charge

### REFRIGERATION COMPARTMENT LOCATION

Left	No charge
Right	No charge

### REFRIGERATION COMPARTMENT COVER FINISH

Black vinyl-clad	No charge
Stainless steel	\$36
Jeweled stainless steel	\$211

### DOOR/DRAWER OPTIONS

NOTE: Select options for EACH Door/Drawer Section

#### STYLE AND FINISH - PER SECTION

Door - Black vinyl-clad	No charge
Door - Unlaminated	No charge
Door - Stainless steel	\$43
Door - Jeweled stainless	\$229
Door - Laminated	\$262
Door - Glass, black vinyl-clad	\$507
Door - Glass, stainless steel	\$550
Door - Glass, jeweled stainless	\$736
Door - Glass, laminated	\$769
Drawers - Black vinyl-clad	\$2,099
Drawers - Unlaminated	\$2,099
Drawers - Stainless steel	\$2,142
Drawers - Jeweled stainless	\$2,328
Drawers - Laminated	\$2,361

#### DOOR HINGE LOCATION - PER DOOR

Left	No charge
Right	No charge

#### SHELVING - PER DOOR

Two adjustable shelves	No charge
Pull-out wine shelves:	
• w/upright and horizontal storage*	\$1,906
• w/horizontal storage*	\$2,541

\*Note: Not available for 12" door opening models

#### DOOR HANDLE - PER DOOR/DRAWER

Signature handle (doors only)	No charge
Pull-tab handle - stainless or black to match door; black for laminate	No charge
Tube handle	No charge

\*NOTE: C1SL units are manufactured to order and are not returnable.



Optional pull-out wine shelves Horizontal (left) and upright (right) storage shown



### TOP STYLE

	24"	28"	36"	44"	48"
No finished top	No charge				
Stainless top	\$399	\$422	\$471	\$521	\$545
Drainboard top	\$658	\$700	\$788	\$873	\$917

### 4" HIGH STAINLESS SPLASHES

	24"	28"	36"	44"	48"
NOTE: Can only be ordered with stainless steel top					
Backsplash	\$146	\$154	\$168	\$182	\$187
Left side splash	\$146	\$146	\$146	\$146	\$146
Right side splash	\$146	\$146	\$146	\$146	\$146

### LEFT SIDE FINISH

Black vinyl-clad	No charge
Stainless Steel	\$43
Laminated	\$262

### RIGHT SIDE FINISH

Black vinyl-clad	No charge
Stainless Steel	\$43
Laminated	\$262

### BACK FINISH

	24"	28"	36"	44"	48"
Galvanized steel	No charge				
Stainless steel*	\$331	\$342	\$366	\$391	\$405

\*NOTE: Stainless steel back option also includes stainless steel sides.

### LED LIGHTING STYLE

Bright white (7,000k), standard	No charge
Warm white (3,500k)	No charge
Amber (2,700k)	No charge
Blue	No charge

### LEG AND STAINLESS STEEL KICK RAILS

NOTE: Legs are required if kick rails are ordered.

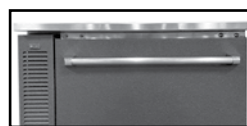
	24"	28"	36"	44"	48"
6" legs	\$185	\$185	\$185	\$185	\$185
Front kick rail	\$115	\$120	\$129	\$138	\$143
Left side kick rail	\$115	\$115	\$115	\$115	\$115
Right side kick rail	\$115	\$115	\$115	\$115	\$115

### CASTERS

	24"	28"	36"	44"	48"
4-1/8" casters	\$165	\$165	\$165	\$165	\$165
2-7/8" casters	\$160	\$160	\$160	\$160	\$160



Drawer pull-tab handle



Drawer tube handle



Tube handle



Optional drawers include adjustable divider walls



Signature handle



Pull-tab handle

Bar Refrigeration



C1TH24F  
with glass door  
and adjustable shelves

**PRODUCT INFORMATION**

(see C1TH24F Spec Sheet for complete details)

**STANDARD FEATURES:**

- Self-contained
- All stainless steel interior construction
- Tube handle
- Listed to NSF Standard 7 for open food as a storage refrigerator

**COOLERS - HIGH PROFILE - FULL DOOR**

<u>LIST</u>	<u>LENGTH</u>	<u>DOOR</u>	<u>DOOR</u> <u>OPENING</u>	<u>WEIGHT</u>	<u>AMPS</u>	<u>HP</u>	<u>12oz BOTTLE</u> <u>CASES</u>	<u>HORIZONTAL</u> <u>PULL-OUT WINE</u>
\$9,351**	24"	1	20" W	350#	3.0	1/6	14.7	104

\*High profile coolers are made to order and are not returnable

\*\*Base price only. See below for configurable options

Bar Refrigeration

**Select Configurable Options:**

**VOLTAGE**

120V/60HZ	No charge
220V/50HZ (export voltage)	\$279

**TEMPERATURE**

Beer / Food, 34° to 40°, standard	No charge
White wine, 50° to 55°	No charge
Red wine, 60° to 65°	No charge

**REFRIGERATION COMPARTMENT FINISH**

Black vinyl-clad	No charge
Stainless steel	\$36

**DOOR OPTION**

**STYLE AND FINISH**

Black vinyl-clad	No charge
Unlaminated	No charge
Stainless steel	\$86
Laminated	\$524
Glass, black vinyl-clad	\$1,014
Glass, stainless steel	\$1,100
Glass, laminated	\$1,538

**DOOR HINGE LOCATION**

Left	No charge
Right	No charge

**SHELVING**

Adjustable, coated-wire shelves	No charge
Horizontal, pull-out wine shelves	\$6,165

**LEFT AND RIGHT SIDE FINISH**

Black vinyl-clad	No charge
Stainless Steel	\$172

**BACK FINISH**

Galvanized steel	No charge
Stainless steel*	\$491

\*NOTE: Stainless steel back option also includes stainless steel sides.

**LED LIGHTING STYLE**

Bright white (7,000k), standard	No charge
Warm white (3,500k)	No charge
Amber (2,700k)	No charge
Blue	No charge

**LEG AND STAINLESS STEEL KICK RAILS**

NOTE: Legs are required if kick rails are ordered.

6" legs	\$185
Front kick rail	\$115
Left side kick rail	\$115
Right side kick rail	\$115

**CASTERS**

4-1/8" casters	\$165
2-7/8" casters	\$160



C1TH24H  
with glass doors and  
wine shelves

**PRODUCT INFORMATION**

(see C1TH24H Spec Sheet for complete details)

**STANDARD FEATURES:**

- Self-contained
- All stainless steel interior construction
- Tube handle
- Listed to NSF Standard 7 for open food as a storage refrigerator

**HIGH PROFILE - ONE ZONE - TWO HALF HEIGHT DOORS**

<u>LIST</u>	<u>LENGTH</u>	<u>DOOR</u>	<u>DOOR</u> <u>OPENING</u>	<u>WEIGHT</u>	<u>AMPS</u>	<u>HP</u>	<u>12oz BOTTLE</u> <u>CASES</u>	<u>HORIZONTAL</u> <u>PULL-OUT</u> <u>WINE SHELVES</u>
\$9,351**	24"	2	20" W	350#	3.0	1/6	6.7/8**	48/48***

\*High profile coolers are made to order and are not returnable

\*\*Base price only. See below for configurable options

\*\*\*Upper/lower section

**Select Configurable Options:**

**VOLTAGE**

120V/60HZ	No charge
220V/50HZ (export voltage)	\$279

**TEMPERATURE**

Beer / Food, 34° to 40°, standard	No charge
White wine, 50° to 55°	No charge
Red wine, 60° to 65°	No charge

**REFRIGERATION COMPARTMENT FINISH**

Black vinyl-clad	No charge
Stainless steel	\$36

**DOOR OPTION**

**STYLE AND FINISH - PER SECTION**

Black vinyl-clad	No charge
Unlaminated	No charge
Stainless steel	\$43
Laminated	\$262
Glass, black vinyl-clad	\$507
Glass, stainless steel	\$550
Glass, laminated	\$769

**HINGE LOCATION**

Left	No charge
Right	No charge

**SHELVING - PER SECTION**

Adjustable, coated-wire shelves	No charge
Horizontal, pull-out wine shelves (upper)	\$2,902
Horizontal, pull-out wine shelves (lower)	\$2,902

**LEFT AND RIGHT SIDE FINISH**

Black vinyl-clad	No charge
Stainless Steel	\$172

**BACK FINISH**

Galvanized steel	No charge
Stainless steel*	\$491

\*NOTE: Stainless steel back option also includes stainless steel sides.

**LED LIGHTING STYLE**

Bright white (7,000k), standard	No charge
Warm white (3,500k)	No charge
Amber (2,700k)	No charge
Blue	No charge

**LEG AND STAINLESS STEEL KICK RAILS**

NOTE: Legs are required if kick rails are ordered.

6" legs	\$185
Front kick rail	\$115
Left side kick rail	\$115
Right side kick rail	\$115

**CASTERS**

4-1/8" casters	\$165
2-7/8" casters	\$160

Bar Refrigeration



C2TH24H  
with glass doors  
and adjustable shelves

**PRODUCT INFORMATION**

(see C2TH24H Spec Sheet for complete details)

**STANDARD FEATURES:**

- Self-contained
- All stainless steel interior construction
- Tube handle
- Listed to NSF Standard 7 for open food as a storage refrigerator

**HIGH PROFILE - TWO ZONE - TWO HALF HEIGHT DOORS**

LIST	LENGTH	DOOR	DOOR				12oz BOTTLE	HORIZONTAL	
			OPENING	WEIGHT	AMPS	HP		PULL-OUT	WINE SHELVES
\$10,809**	74"	2	20" W	360#	3.0	1/6	7.3/8***	40/48***	

\*High profile coolers are made to order and are not returnable

\*\*Base price only. See below for configurable options

\*\*\*Upper/lower section

**Select Configurable Options:**

**VOLTAGE**

120V/60HZ	No charge
220V/50HZ (export voltage)	\$279

**TEMPERATURE**

Beer / Food, 34° to 40°, standard	No charge
White wine, 50° to 55°	No charge
Red wine, 60° to 65°	No charge

**REFRIGERATION COMPARTMENT FINISH**

Black vinyl-clad	No charge
Stainless steel	\$36

**DOOR OPTIONS**

**STYLE AND FINISH - PER SECTION**

Black vinyl-clad	No charge
Unlaminated	No charge
Stainless steel	\$43
Laminated	\$262
Glass, black vinyl-clad	\$507
Glass, stainless steel	\$550
Glass, laminated	\$769

**HINGE LOCATION**

Left	No charge
Right	No charge

**SHELVING - PER SECTION**

Adjustable, coated-wire shelves	No charge
Horizontal, pull-out wine shelves (upper)	\$2,541
Horizontal, pull-out wine shelves (lower)	\$2,902

**LEFT AND RIGHT SIDE FINISH**

Black vinyl-clad	No charge
Stainless Steel	\$172

**BACK FINISH**

Galvanized steel	No charge
Stainless steel*	\$491

\*NOTE: Stainless steel back option also includes stainless steel sides.

**LED LIGHTING STYLE**

Bright white (7,000k), standard	No charge
Warm white (3,500k)	No charge
Amber (2,700k)	No charge
Blue	No charge

**LEG AND STAINLESS STEEL KICK RAILS**

NOTE: Legs are required if kick rails are ordered.

6" legs	\$185
Front kick rail	\$115
Left side kick rail	\$115
Right side kick rail	\$115

**CASTERS**

4-1/8" casters	\$165
2-7/8" casters	\$160

Bar Refrigeration



# high PROFILE

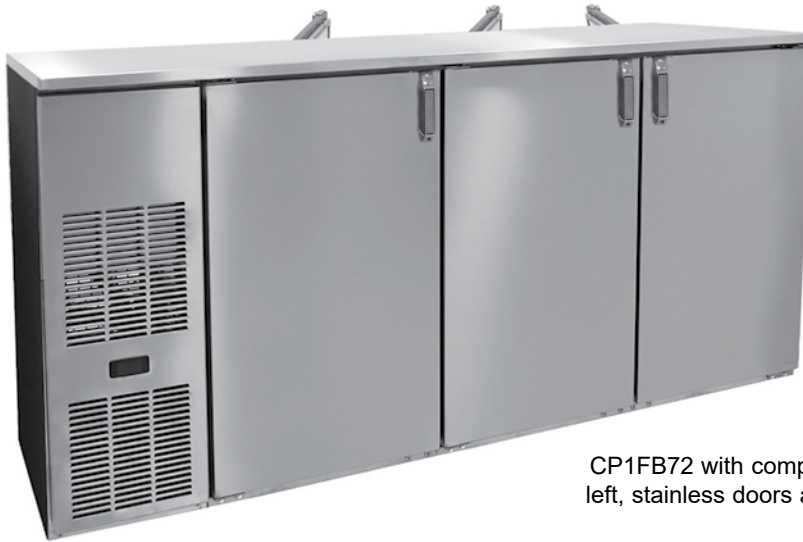
refrigeration designed  
for high profile bars

Bar Refrigeration



Available in one or two zone - more info visit [glastender.com/highprofile](http://glastender.com/highprofile)



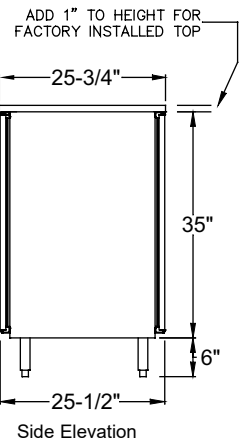


CP1FB72 with compressor left, stainless doors and top

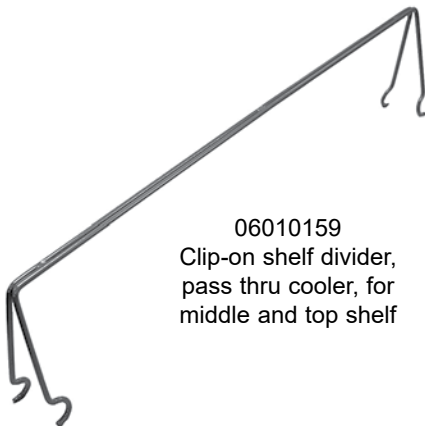
**COOLERS - PASS-THRU, ONE ZONE, FRONT SERVICED, BAR PROFILE\***

MODEL	LIST	LENGTH	DOOR		WEIGHT	AMPS	HP	LONGNECK	750MLWINE
			DOORS	OPENING				CASES	BOTTLES
CP1FB32*	\$8,512	32"	2	16" w	320#	3.0	1/8	6.6	67
CP1FB36*	\$8,599	36"	2	20" w	325#	3.0	1/8	8.8	79
CP1FB52*	\$11,278	52"	4	16" w	435#	7.0	1/4	14.6	129
CP1FB60*	\$11,626	60"	4	20" w	445#	7.0	1/4	19.1	177
CP1FB72*	\$14,723	72"	6	16" w	580#	7.0	1/4	23.1	209
CP1FB84*	\$15,179	84"	6	20" w	595#	7.0	1/4	29.9	271

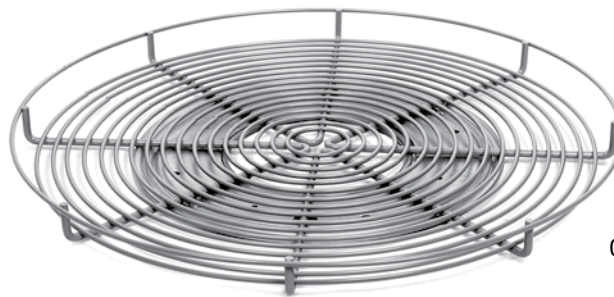
Base price only. See next page for configurable options.



\*NOTE: CP1FB coolers are manufactured to order and are not returnable.



06010159  
Clip-on shelf divider, pass thru cooler, for middle and top shelf



06009785

In a typical cooler, only the front row of bottles is easy to access. Glastender's rotary wine shelf increases access by 270% (16 vs. 6 bottles).

The rotary wine shelf is for use with CP1FB36, CP1FB60, and CP1FB84 model coolers. Two rotary shelves can be used behind each 20" door opening, where they sit on two standard cooler shelves. Each rotary shelf holds up to 29 wine bottles (750ml).

**PRODUCT INFORMATION**

(see CP1FB Spec Sheet for complete details)

**STANDARD FEATURES:**

- Self-contained
- All stainless steel interior construction
- Three adjustable coated shelves per section
- Listed to NSF Standard 7 for open food as a storage refrigerator

**ACCESSORIES**

MODEL	DESCRIPTION	LIST
06009785	Rotary wine shelf (20" door opening ONLY)	\$263
CWS-16P	Wine rack shelf for 16" door opening, 5 bottle	\$178
CWS-20P	Wine rack shelf for 20" door opening, 7 bottle	\$202
06010159	Clip-on shelf divider for middle and top shelf	\$36
06006013	Clip-on shelf divider for bottom shelf only	\$36

## Select Configurable Options:

\*NOTE: CP1FB coolers are manufactured to order and are not returnable.

### VOLTAGE

120V/60HZ	No charge
220V/50HZ (export voltage)	\$279

### TEMPERATURE

Beer / Food, 34° to 40°, standard	No charge
White wine, 50° to 55°	No charge
Red wine, 60° to 65°	No charge

### REFRIGERATION COMPARTMENT LOCATION

Left	No charge
Right	No charge

### REFRIGERATION COMPARTMENT COVER FINISH

NOTE: Specify and add for both the front and the back

Black vinyl-clad	No charge
Unlaminated	No charge
Stainless steel	\$36
Jeweled stainless steel	\$211
Laminated	\$245

### DOOR OPTIONS

NOTE: Select options for EACH Door

#### STYLE AND FINISH - PER DOOR

Door - Black vinyl-clad	No charge
Door - Unlaminated	No charge
Door - Stainless steel	\$43
Door - Jeweled stainless	\$229
Door - Laminated	\$262
Door - Glass, black vinyl-clad	\$507
Door - Glass, stainless steel	\$550
Door - Glass, jeweled stainless	\$736
Door - Glass, laminated	\$769

#### DOOR HINGE LOCATION - PER DOOR

Left	No charge
Right	No charge

#### DOOR HANDLE - PER DOOR

Signature handle	No charge
Pull-tab handle - stainless or black to match door; black for laminate	No charge
Tube handle	No charge

### TOP STYLE

	32"	36"	52"	60"	72"	84"
No finished top	No charge					
Stainless top	\$510	\$539	\$661	\$719	\$811	\$899

### LEFT SIDE FINISH

Black vinyl-clad	No charge
Stainless Steel	\$43
Laminated	\$262

### RIGHT SIDE FINISH

Black vinyl-clad	No charge
Stainless Steel	\$43
Laminated	\$262

### LED LIGHTING STYLE

Bright white (7,000k), standard	No charge
Warm white (3,500k)	No charge
Amber (2,700k)	No charge
Blue	No charge

### LEG AND STAINLESS STEEL KICK RAILS

NOTE: Legs are required if kick rails are ordered.

	32"	36"	52"	60"	72"	84"
6" legs	\$230	\$230	\$185	\$185	\$277	\$277
Front kick rail	\$124	\$129	\$147	\$157	\$172	\$185
Back kick rail	\$124	\$129	\$147	\$157	\$172	\$185
Left side kick rail	\$115	\$115	\$115	\$115	\$115	\$115
Right side kick rail	\$115	\$115	\$115	\$115	\$115	\$115

### CASTERS

	32"	36"	52"	60"	72"	84"
4-1/8" casters	\$202	\$202	\$165	\$165	\$249	\$249
2-7/8" casters	\$200	\$200	\$160	\$160	\$239	\$239



Signature handle



Pull-tab handle



Tube handle



CP1RB72 with refrigeration hook up left, stainless doors and top

**COOLERS - PASS-THRU, ONE ZONE, REMOTE, BAR PROFILE\***

MODEL	LIST	LENGTH	DOORS	DOOR OPENING	WEIGHT	BTU/HR	LONGNECK CASES	750MLWINE BOTTLES**
CP1RB24*	\$6,110	24"	2	20"	225#	950	7.7	72
CP1RB40*	\$7,727	40"	4	16"	355#	1,600	13.1	114
CP1RB48*	\$7,969	48"	4	20"	365#	1,600	17.6	156
CP1RB60*	\$11,028	60"	6	16"	495#	2,000	21.6	194
CP1RB72*	\$11,368	72"	6	20"	510#	2,000	28.3	253

\*NOTE:  
CP1RB coolers are manufactured to order and are not returnable.

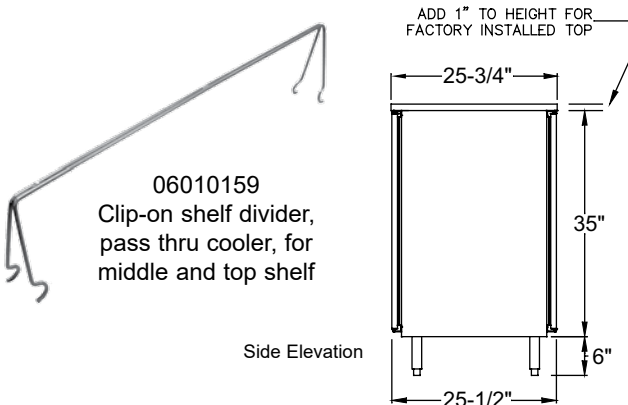
Base price only. See next page for configurable options.

**PRODUCT INFORMATION**

(see CP1RB Spec Sheet for complete details)

**STANDARD FEATURES:**

- Remote unit
- All stainless steel interior construction
- Three adjustable coated shelves per section
- Listed to NSF Standard 7 for open food as a storage refrigerator



06010159  
Clip-on shelf divider, pass thru cooler, for middle and top shelf

Side Elevation

**CONDENSING UNITS AND INSTALLATION KITS\*\***

MODEL	DESCRIPTION	LIST	WT
06006621**	1/3 HP R134a condensing unit kit, includes filter dryer, sight glass, and defrost timer. 2800 BTU/hr rated cooling capacity at 15°F evaporator temperature and 85°F ambient temperature. (13-1/2"W x 17"D x 9"H)	\$1,740	60#
06006622**	1/2 HP R134a condensing unit kit, includes filter dryer, sight glass, and defrost timer. 4100 BTU/hr rated cooling capacity at 15°F evaporator temperature and 85°F ambient temperature. (13-1/2"W x 18-1/4"D x 9-1/2"H)	\$2,584	60#
06009006**	1/3 HP R404A condensing unit kit, includes filter dryer, sight glass, and defrost timer. 2750 BTU/hr rated cooling capacity at 15°F evaporator temperature and 85°F ambient temperature. (13-1/2"W x 17"D x 9"H)	\$2,763	60#
06009007**	1/2 HP R404A condensing unit kit, includes filter dryer, sight glass, and defrost timer. 4500 BTU/hr rated cooling capacity at 15°F evaporator temperature and 85°F ambient temperature. (13-1/2"W x 18-1/4"D x 9-1/2"H)	\$3,257	60#

**\*\*NOTE: Consult the applicable remote refrigerator specification sheet and your refrigeration installer to select the correct condensing unit for your installation. Standard piping practices and local codes should be employed to size and install refrigerant gas and liquid lines.**

**ACCESSORIES**

MODEL	DESCRIPTION	LIST
CWS-16P	Wine rack shelf for 16" door opening, 5 bottles	\$178
CWS-20P	Wine rack shelf for 20" door opening, 7 bottles	\$202
06010159	Clip-on shelf divider for middle and top shelf	\$36
06006013	Clip-on shelf divider for bottom shelf only	\$36

**ACCESSORY FOR CONDENSING UNIT**

06001413	Switch, low pressure control, for remote condensing unit	\$514	3#
----------	--	-------	----

**ACCESSORY FOR REMOTE COOLER CABINET**

SVC	Solenoid valve and coil kit, for remote unit	\$497	6#
SVC-L	Solenoid valve and coil kit with factory installation, for remote unit	\$811	6#

Bar Refrigeration

\*NOTE: CP1RB coolers are manufactured to order and are not returnable.

## Select Configurable Options:

VOLTAGE		TOP STYLE					
120V/60HZ	No charge		24"	40"	48"	60"	72"
220V/50HZ (export voltage)	\$141	No finished top	No charge				
<b>TEMPERATURE</b>		Stainless top	\$449	\$570	\$630	\$719	\$811
Beer / Food, 34° to 40°, standard	No charge	LEFT SIDE FINISH					
White wine, 50° to 55°	No charge	Black vinyl-clad	No charge				
Red wine, 60° to 65°	No charge	Stainless Steel	\$43				
<b>EXPANSION VALVE TYPE</b>		Laminated	\$262				
R134a	No charge	RIGHT SIDE FINISH					
R404a	No charge	Black vinyl-clad	No charge				
R407a/R422D	No charge	Stainless Steel	\$43				
R448a	No charge	Laminated	\$262				
REFRIGERATION HOOK-UP LOCATION		LED LIGHTING STYLE					
Left	No charge	Bright white (7,000k), standard	No charge				
Right	No charge	Warm white (3,500k)	No charge				
<b>DOOR OPTIONS</b>		Amber (2,700k)	No charge				
NOTE: Select options for EACH Door Section						Blue	No charge
STYLE AND FINISH - PER DOOR		LEG AND STAINLESS STEEL KICK RAILS					
Door - Black vinyl-clad	No charge	NOTE: Legs are required if kick rails are ordered.					
Door - Unlaminated	No charge		24"	40"	48"	60"	72"
Door - Stainless steel	\$43	6" legs	\$185	\$185	\$185	\$277	\$277
Door - Jeweled stainless	\$229	Front kick rail	\$115	\$132	\$143	\$157	\$172
Door - Laminated	\$262	Back kick rail	\$115	\$132	\$143	\$157	\$172
Door - Glass, black vinyl-clad	\$507	Left side kick rail	\$115	\$115	\$115	\$115	\$115
Door - Glass, stainless steel	\$550	Right side kick rail	\$115	\$115	\$115	\$115	\$115
Door - Glass, jeweled stainless	\$736						
Door - Glass, laminated	\$769						
DOOR HINGE LOCATION - PER DOOR							
Left	No charge						
Right	No charge						
DOOR HANDLE - PER DOOR							
Signature handle	No charge						
Pull-tab handle - stainless or black to match door; black for laminate	No charge						
Tube handle	No charge						



Signature handle



Pull-tab handle



Tube handle

Bar Refrigeration



CP1FL84 with compressor left, stainless doors and top

**COOLERS - PASS-THRU, ONE ZONE, FRONT SERVICED, LOW PROFILE\***

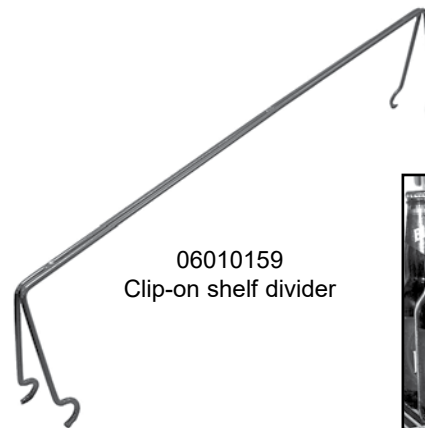
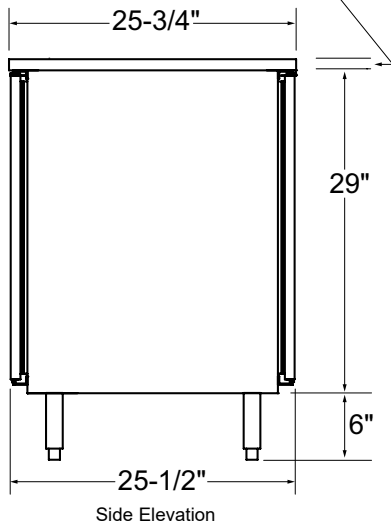
MODEL	LIST	LENGTH	DOOR		WEIGHT	AMPS	HP	LONGNECK CASES	750ML WINE BOTTLES
			DOORS	OPENING					
CP1FL32*	\$8,254	32"	2	16" W	315#	3.0	1/8	4.4	35
CP1FL36*	\$8,340	36"	2	20" W	320#	3.0	1/8	5.8	42
CP1FL52*	\$10,813	52"	4	16" W	425#	7.0	1/4	9.7	66
CP1FL60*	\$11,047	60"	4	20" W	435#	7.0	1/4	12.7	90
CP1FL72*	\$14,114	72"	6	16" W	565#	7.0	1/4	15.4	106
CP1FL84*	\$14,420	84"	6	20" W	580#	7.0	1/4	19.9	137

Base price only. See next page for configurable options.

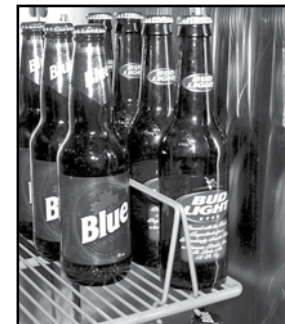
\*NOTE: CPIFL units are manufactured to order and are not returnable.

Bar Refrigeration

ADD 1" TO HEIGHT FOR FACTORY INSTALLED TOP



06010159  
Clip-on shelf divider



**PRODUCT INFORMATION**

(see CPIFL Spec Sheet for complete details)

**STANDARD FEATURES:**

- Self-contained
- All stainless steel interior construction
- Two adjustable coated shelves per section
- Listed to NSF Standard 7 for open food as a storage refrigerator

**ACCESSORIES**

MODEL	DESCRIPTION	LIST
CWS-16P	Wine rack shelf for 16" door opening, 5 bottle	\$178
CWS-20P	Wine rack shelf for 20" door opening, 7 bottle	\$202
06010159	Clip-on shelf divider	\$36

\*NOTE: CP1FL units are manufactured to order and are not returnable.

### Select Configurable Options:

#### VOLTAGE

120V/60HZ	No charge
220V/50HZ (export voltage)	\$279

#### TEMPERATURE

Beer / Food, 34° to 40°, standard	No charge
White wine, 50° to 55°	No charge
Red wine, 60° to 65°	No charge

#### REFRIGERATION COMPARTMENT LOCATION

Left	No charge
Right	No charge

#### REFRIGERATION COMPARTMENT COVER FINISH

NOTE: Specify and add for both the front and the back

Black vinyl-clad	No charge
Unlaminated	No charge
Stainless steel	\$36
Jeweled stainless steel	\$211
Laminated	\$245

#### DOOR OPTIONS

NOTE: Select options for EACH Door Section

#### STYLE AND FINISH - PER SECTION

Door - Black vinyl-clad	No charge
Door - Unlaminated	No charge
Door - Stainless steel	\$43
Door - Jeweled stainless	\$229
Door - Laminated	\$262
Door - Glass, black vinyl-clad	\$507
Door - Glass, stainless steel	\$550
Door - Glass, jeweled stainless	\$736
Door - Glass, laminated	\$769

#### DOOR HINGE LOCATION - PER DOOR

Left	No charge
Right	No charge

#### DOOR HANDLE - PER DOOR

Signature handle	No charge
Pull-tab handle - stainless or black to match door; black for laminate	No charge
Tube handle	No charge

#### TOP STYLE

	32"	36"	52"	60"	72"	84"
No finished top	No charge					
Stainless top	\$510	\$539	\$661	\$719	\$811	\$899

#### LEFT SIDE FINISH

Black vinyl-clad	No charge
Stainless Steel	\$43
Laminated	\$262

#### RIGHT SIDE FINISH

Black vinyl-clad	No charge
Stainless Steel	\$43
Laminated	\$262

#### LED LIGHTING STYLE

Bright white (7,000k), standard	No charge
Warm white (3,500k)	No charge
Amber (2,700k)	No charge
Blue	No charge

#### LEG AND STAINLESS STEEL KICK RAILS

NOTE: Legs are required if kick rails are ordered.

	32"	36"	52"	60"	72"	84"
6" legs	\$230	\$230	\$185	\$185	\$277	\$277
Front kick rail	\$124	\$129	\$147	\$157	\$172	\$185
Back kick rail	\$124	\$129	\$147	\$157	\$172	\$185
Left side kick rail	\$115	\$115	\$115	\$115	\$115	\$115
Right side kick rail	\$115	\$115	\$115	\$115	\$115	\$115

#### CASTERS

	32"	36"	52"	60"	72"	84"
4-1/8" casters	\$202	\$202	\$165	\$165	\$249	\$249
2-7/8" casters	\$200	\$200	\$160	\$160	\$239	\$239



Signature handle



Pull-tab handle



Tube handle

Bar Refrigeration



CP1RL72 with refrigeration hook up left, stainless doors and top

**COOLERS - PASS-THRU, ONE ZONE, REMOTE, LOW PROFILE\***

MODEL	LIST	LENGTH	DOOR			WEIGHT	BTU /HR	LONGNECK	750MLWINE
			DOORS	OPENING				CASES	BOTTLES**
CP1RL24*	\$5,927	24"	2	20"	220#	850	4.7	42	
CP1RL40*	\$7,410	40"	4	16"	350#	1,600	8.2	66	
CP1RL48*	\$7,570	48"	4	20"	355#	1,600	11.8	90	
CP1RL60*	\$10,572	60"	6	16"	485#	2,000	13.8	106	
CP1RL72*	\$10,800	72"	6	20"	495#	2,000	18.3	137	

\*NOTE:  
CP1RL coolers are manufactured to order and are not returnable.

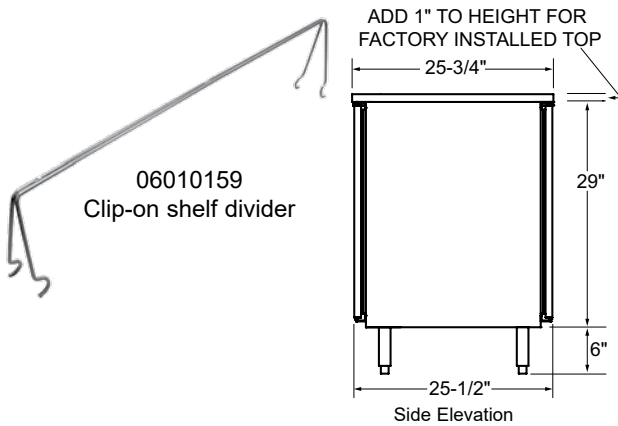
Base price only. See next page for configurable options.

**PRODUCT INFORMATION**

(see CP1RL Spec Sheet for complete details)

**STANDARD FEATURES:**

- Remote unit
- All stainless steel interior construction
- Two adjustable coated shelves per section
- Listed to NSF Standard 7 for open food as a storage refrigerator



**ACCESSORIES**

MODEL	DESCRIPTION	LIST
CWS-16P	Wine rack shelf for 16" door opening, 5 bottle	\$178
CWS-20P	Wine rack shelf for 20" door opening, 7 bottle	\$202
06010159	Clip-on shelf divider	\$36

**CONDENSING UNITS AND INSTALLATION KITS\*\***

MODEL	DESCRIPTION	LIST	WT
06006621**	1/3 HP R134a condensing unit kit, includes filter dryer, sight glass, and defrost timer. 2800 BTU/hr rated cooling capacity at 15°F evaporator temperature and 85°F ambient temperature. (13-1/2"W x 17"D x 9"H)	\$1,740	60#
06006622**	1/2 HP R134a condensing unit kit, includes filter dryer, sight glass, and defrost timer. 4100 BTU/hr rated cooling capacity at 15°F evaporator temperature and 85°F ambient temperature. (13-1/2"W x 18-1/4"D x 9-1/2"H)	\$2,584	60#
06009006**	1/3 HP R404A condensing unit kit, includes filter dryer, sight glass, and defrost timer. 2750 BTU/hr rated cooling capacity at 15°F evaporator temperature and 85°F ambient temperature. (13-1/2"W x 17"D x 9"H)	\$2,763	60#
06009007**	1/2 HP R404A condensing unit kit, includes filter dryer, sight glass, and defrost timer. 4500 BTU/hr rated cooling capacity at 15°F evaporator temperature and 85°F ambient temperature. (13-1/2"W x 18-1/4"D x 9-1/2"H)	\$3,257	60#

**\*\*NOTE: Consult the applicable remote refrigerator specification sheet and your refrigeration installer to select the correct condensing unit for your installation. Standard piping practices and local codes should be employed to size and install refrigerant gas and liquid lines.**

ACCESSORY FOR CONDENSING UNIT		
06001413	Switch, low pressure control, for remote condensing unit	\$514 3#

ACCESSORY FOR REMOTE COOLER CABINET		
SVC	Solenoid valve and coil kit, for remote unit	\$497 6#
SVC-L	Solenoid valve and coil kit with factory installation, for remote unit	\$811 6#

\*NOTE: CP1RL coolers are manufactured to order and are not returnable.

### Select Configurable Options:

VOLTAGE		TOP STYLE					
120V/60HZ	No charge		<u>24"</u>	<u>40"</u>	<u>48"</u>	<u>60"</u>	<u>72"</u>
220V/50HZ (export voltage)	\$141	No finished top	No charge				
<b>TEMPERATURE</b>		Stainless top	\$449	\$570	\$630	\$719	\$811
Beer / Food, 34° to 40°, standard	No charge	LEFT SIDE FINISH					
White wine, 50° to 55°	No charge	Black vinyl-clad	No charge				
Red wine, 60° to 65°	No charge	Stainless Steel	\$43				
<b>EXPANSION VALVE TYPE</b>		Laminated	\$262				
R134a	No charge	RIGHT SIDE FINISH					
R404a	No charge	Black vinyl-clad	No charge				
R407a/R422D	No charge	Stainless Steel	\$43				
R448a	No charge	Laminated	\$262				
REFRIGERATION HOOK-UP LOCATION		LED LIGHTING STYLE					
Left	No charge	Bright white (7,000k), standard	No charge				
Right	No charge	Warm white (3,500k)	No charge				
<b>DOOR OPTIONS</b>		Amber (2,700k)	No charge				
NOTE: Select options for EACH Door Section		Blue	No charge				
STYLE AND FINISH - PER DOOR		LEG AND STAINLESS STEEL KICK RAILS					
Door - Black vinyl-clad	No charge	NOTE: Legs are required if kick rails are ordered.					
Door - Unlaminated	No charge		<u>24"</u>	<u>40"</u>	<u>48"</u>	<u>60"</u>	<u>72"</u>
Door - Stainless steel	\$43	6" legs	\$185	\$185	\$185	\$277	\$277
Door - Jeweled stainless	\$229	Front kick rail	\$115	\$132	\$143	\$157	\$172
Door - Laminated	\$262	Back kick rail	\$115	\$132	\$143	\$157	\$172
Door - Glass, black vinyl-clad	\$507	Left side kick rail	\$115	\$115	\$115	\$115	\$115
Door - Glass, stainless steel	\$550	Right side kick rail	\$115	\$115	\$115	\$115	\$115
Door - Glass, jeweled stainless	\$736	<b>DOOR HINGE LOCATION - PER DOOR</b>					
Door - Glass, laminated	\$769	Left	No charge				
<b>DOOR HANDLE - PER DOOR</b>		Right	No charge				
Signature handle	No charge	<b>DOOR HINGE LOCATION - PER DOOR</b>					
Pull-tab handle - stainless or black to match door; black for laminate	No charge	Left					
Tube handle	No charge	Right					



Signature handle



Pull-tab handle



Tube handle

Bar Refrigeration



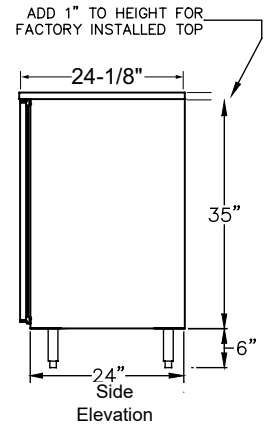


**PRODUCT INFORMATION**  
(see F1FB Spec Sheet for complete details)

**STANDARD FEATURES:**

- Self-contained
- All stainless steel interior construction
- Models with door include three coated adjustable shelves
- Listed to NSF Standard 7

F1FB36 with compressor left and stainless steel door and top



\*NOTE: F1FB units are manufactured to order and are not returnable.

**FROSTERS - ONE ZONE, FRONT SERVICED, BAR PROFILE**

MODEL	LIST	LENGTH	DOOR				AMPS	HP	10 Oz.	6" High
			DOORS	OPENING	WEIGHT	MUGS			PINTGLASSES	
F1FB32	\$6,956	32"	1	16" W	235#	6.5	1/3	120	96	
F1FB36	\$7,034	36"	1	20" W	250#	6.5	1/3	168	120	

Base price only. See next page for configurable options.

Bar Refrigeration



DIP-18 shown  
Pans not included

**ACCESSORIES**

MODEL	DESCRIPTION	LIST
DIP-20	Drawer insert for fractional stainless pans, 20" door opening (pans not included)	\$261



Capable of storing specialty cocktail ice

\*NOTE: F1FB units are manufactured to order and are not returnable.

## Select Configurable Options:

### VOLTAGE

120V/60HZ	No charge
220V/50HZ (export voltage)	\$279

### REFRIGERATION COMPARTMENT LOCATION

Left	No charge
Right	No charge

### REFRIGERATION COMPARTMENT COVER FINISH

Black vinyl-clad	No charge
Unlaminated	No charge
Stainless steel	\$36
Jeweled stainless steel	\$211
Laminated	\$245

### DOOR/DRAWER OPTIONS

NOTE: Select options for EACH Door/Drawer Section

#### STYLE AND FINISH - PER SECTION

Door - Black vinyl-clad	No charge
Door - Unlaminated	No charge
Door - Stainless steel	\$43
Door - Jeweled stainless	\$229
Door - Laminated	\$262
Door - Glass, black vinyl-clad	\$665
Door - Glass, stainless steel	\$708
Door - Glass, jeweled stainless	\$894
Door - Glass, laminated	\$927
Drawers - Black vinyl-clad	\$2,160
Drawers - Unlaminated	\$2,160
Drawers - Stainless steel	\$2,203
Drawers - Jeweled stainless	\$2,389
Drawers - Laminated	\$2,422

#### DOOR HINGE LOCATION - PER DOOR

Left	No charge
Right	No charge

#### DOOR HANDLE - PER DOOR/DRAWER

Signature handle (doors only)	No charge
Pull-tab handle - stainless or black to match door; black for laminate	No charge
Tube handle	No charge

### TOP STYLE

No finished top	32"	36"
Stainless top	No charge	\$447 \$471

### LEFT SIDE FINISH

Black vinyl-clad	No charge
Stainless Steel	\$43
Laminated	\$262

### RIGHT SIDE FINISH

Black vinyl-clad	No charge
Stainless Steel	\$43
Laminated	\$262

### BACK FINISH

Galvanized steel	32"	36"
Stainless steel*	No charge	\$356 \$366
*NOTE: Stainless steel back option also includes stainless steel sides.		

### LED LIGHTING STYLE

Bright white (7,000k), standard	No charge
Warm white (3,500k)	No charge
Blue	No charge

### LEG AND STAINLESS STEEL KICK RAILS

NOTE: Legs are required if kick rails are ordered.

6" legs	32"	36"
Front kick rail	\$230	\$230
Left side kick rail	\$124	\$129
Right side kick rail	\$115	\$115

### CASTERS

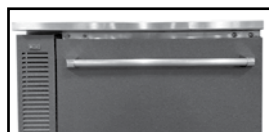
4-1/8" casters	32"	36"
2-7/8" casters	\$202	\$202
	\$200	\$200



Optional drawers include adjustable divider walls



Drawer pull-tab handle



Drawer tube handle



Optional pull-out wine shelves  
Horizontal (left) and upright (right) storage shown



Signature handle



Pull-tab handle



Tube handle

Bar Refrigeration



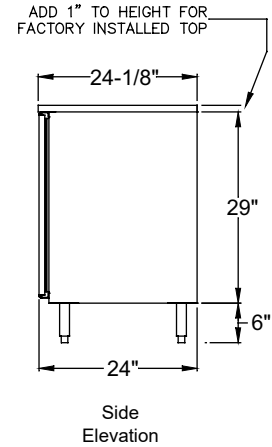
F1FL36 with compressor left and stainless steel door and top

**PRODUCT INFORMATION**

(see F1FL Spec Sheet for complete details)

**STANDARD FEATURES:**

- Self-contained
- All stainless steel interior construction
- Includes three adjustable coated shelves
- Listed to NSF Standard 7



\*NOTE: F1FL units are manufactured to order and are not returnable.

Bar Refrigeration

**FROSTERS - ONE ZONE, FRONT SERVICED, LOW PROFILE**

MODEL	LIST	LENGTH	DOORS	DOOR		WEIGHT	AMPS	HP	10 Oz. MUGS	6" HIGH PINTGLASSES
				OPENING						
F1FL32	\$6,759	32"	1	16" W		240#	6.5	1/3	90	72
F1FL36	\$6,835	36"	1	20" W		250#	6.5	1/3	126	90

Base price only. See next page for configurable options.



Capable of storing specialty cocktail ice

\*NOTE: F1FL units are manufactured to order and are not returnable.

Select Configurable Options:

**VOLTAGE**

120V/60HZ	No charge
220V/50HZ (export voltage)	\$279

**REFRIGERATION COMPARTMENT LOCATION**

Left	No charge
Right	No charge

**REFRIGERATION COMPARTMENT COVER FINISH**

Black vinyl-clad	No charge
Unlaminated	No charge
Stainless steel	\$36
Jeweled stainless steel	\$211
Laminated	\$245

**DOOR OPTIONS**

**STYLE AND FINISH**

Door - Black vinyl-clad	No charge
Door - Unlaminated	No charge
Door - Stainless steel	\$43
Door - Jeweled stainless	\$229
Door - Laminated	\$262
Door - Glass, black vinyl-clad	\$665
Door - Glass, stainless steel	\$708
Door - Glass, jeweled stainless	\$894
Door - Glass, laminated	\$927

**DOOR HINGE LOCATION**

Left	No charge
Right	No charge

**DOOR HANDLE**

Signature handle	No charge
Pull-tab handle - stainless or black to match door; black for laminate	No charge
Tube handle	No charge

**TOP STYLE**

	<u>32"</u>	<u>36"</u>
No finished top		No charge
Stainless top	\$447	\$471
Drainboard top	\$743	\$788

**LEFT SIDE FINISH**

Black vinyl-clad	No charge
Stainless Steel	\$43
Laminated	\$262

**RIGHT SIDE FINISH**

Black vinyl-clad	No charge
Stainless Steel	\$43
Laminated	\$262

**BACK FINISH**

	<u>32"</u>	<u>36"</u>
Galvanized steel		No charge
Stainless steel*	\$356	\$366

\*NOTE: Stainless steel back option also includes stainless steel sides.

**LED LIGHTING STYLE**

Bright white (7,000k), standard	No charge
Warm white (3,500k)	No charge
Blue	No charge

**LEG AND STAINLESS STEEL KICK RAILS**

NOTE: Legs are required if kick rails are ordered.

	<u>32"</u>	<u>36"</u>
6" legs	\$230	\$230
Front kick rail	\$124	\$129
Left side kick rail	\$115	\$115
Right side kick rail	\$115	\$115

**CASTERS**

	<u>32"</u>	<u>36"</u>
4-1/8" casters	\$202	\$202
2-7/8" casters	\$200	\$200



Tube handle



Signature handle



Pull-tab handle

Bar Refrigeration

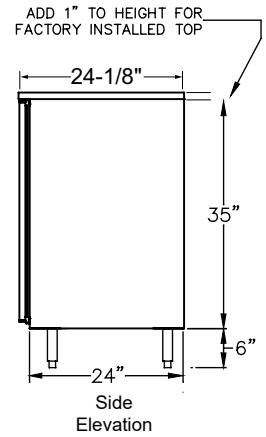


**PRODUCT INFORMATION**  
(see F1SB Spec Sheet for complete details)

**STANDARD FEATURES:**

- Self-contained
- All stainless steel interior construction
- Models with doors include three adjustable coated shelves per door
- Listed to NSF Standard 7

F1SB48 with compressor left, stainless steel doors and top



\*NOTE: F1SB28, F1SB36, and F1SB44 frosters and all units with drawers are manufactured to order and are not returnable.

**FROSTERS - ONE ZONE, SIDE SERVICED, BAR PROFILE**

MODEL	LIST	LENGTH	DOORS	DOOR OPENING	WEIGHT	AMPS	HP	10 Oz. MUGS	6" HIGH PINT GLASSES
F1SB24	\$6,479	24"	1	17.5" W	200#	5.0	1/3	132	97
F1SB28*	\$6,783	28"	1	20" W	220#	5.0	1/3	160	100
F1SB36*	\$8,871	36"	2	12" W	255#	5.0	1/3	223	155
F1SB44*	\$9,329	44"	2	16" W	280#	5.0	1/3	299	200
F1SB48	\$9,563	48"	2	18" W	300#	5.0	1/3	339	214

Base price only. See below for configurable options.

Bar Refrigeration

**ACCESSORIES**

MODEL	DESCRIPTION	LIST
DIP-17	Drawer insert for fractional stainless pans, 17.5" door opening (pans not included)	\$234
DIP-18	Drawer insert for fractional stainless pans, 18" door opening (pans not included)	\$239
DIP-20	Drawer insert for fractional stainless pans, 20" door opening (pans not included)	\$261



DIP-18  
Pans not included



Capable of storing specialty cocktail ice

\*NOTE: F1SB28, F1SB36, and F1SB44 frosters and all units with drawers are manufactured to order and are not returnable.

## Select Configurable Options:

VOLTAGE	
120V/60HZ	No charge
220V/50HZ (export voltage)	\$279

REFRIGERATION COMPARTMENT LOCATION	
Left	No charge
Right	No charge

REFRIGERATION COMPARTMENT COVER FINISH	
Black vinyl-clad	No charge
Stainless steel	\$36
Jeweled stainless steel	\$211

### DOOR/DRAWER OPTIONS

NOTE: Select options for EACH Door/Drawer Section

STYLE AND FINISH - PER SECTION	
Door - Black vinyl-clad	No charge
Door - Unlaminated	No charge
Door - Stainless steel	\$43
Door - Jeweled stainless	\$229
Door - Laminated	\$262
Door - Glass, black vinyl-clad	\$665
Door - Glass, stainless steel	\$708
Door - Glass, jeweled stainless	\$894
Door - Glass, laminated	\$927
Drawers* - Black vinyl-clad	\$2,160
Drawers* - Unlaminated	\$2,160
Drawers* - Stainless steel	\$2,203
Drawers* - Jeweled stainless	\$2,389
Drawers* - Laminated	\$2,422

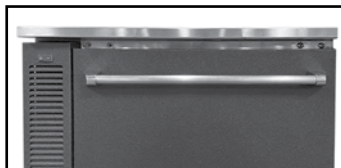
\*NOTE: Units with drawers are manufactured to order and are not returnable.

DOOR HINGE LOCATION - PER DOOR	
Left	No charge
Right	No charge

DOOR HANDLE - PER DOOR/DRAWER	
Signature handle (doors only)	No charge
Pull-tab handle - stainless or black to match door; black for laminate	No charge
Tube handle	No charge



Drawer pull-tab handle



Drawer tube handle



Optional drawers include adjustable divider walls

TOP STYLE					
	24"	28"	36"	44"	48"
No finished top	No charge				
Stainless top	\$399	\$422	\$471	\$521	\$545

LEFT SIDE FINISH	
Black vinyl-clad	No charge
Stainless Steel	\$43
Laminated	\$262

RIGHT SIDE FINISH	
Black vinyl-clad	No charge
Stainless Steel	\$43
Laminated	\$262

BACK FINISH					
	24"	28"	36"	44"	48"
Galvanized steel	No charge				
Stainless steel*	\$331	\$342	\$366	\$391	\$405

\*NOTE: Stainless steel back option also includes stainless steel sides.

LED LIGHTING STYLE	
Bright white (7,000k), standard	No charge
Warm white (3,500k)	No charge
Blue	No charge

LEG AND STAINLESS STEEL KICK RAILS					
NOTE: Legs are required if kick rails are ordered.					
	24"	28"	36"	44"	48"
6" legs	\$185	\$185	\$185	\$185	\$185
Front kick rail	\$115	\$120	\$129	\$138	\$143
Left side kick rail	\$115	\$115	\$115	\$115	\$115
Right side kick rail	\$115	\$115	\$115	\$115	\$115

CASTERS					
	24"	28"	36"	44"	48"
4-1/8" casters	\$165	\$165	\$165	\$165	\$165
2-7/8" casters	\$160	\$160	\$160	\$160	\$160



Signature handle



Pull-tab handle



Tube handle

Bar Refrigeration



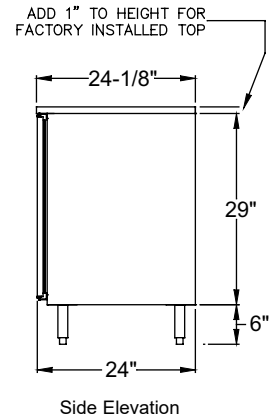
F1SL24 with compressor left, stainless door and top

**PRODUCT INFORMATION**

(see F1SL Spec Sheet for complete details)

**STANDARD FEATURES:**

- Self-contained
- All stainless steel interior construction
- Models with doors include three adjustable coated shelves per door
- Listed to NSF Standard 7



\*NOTE: F1SL units are manufactured to order and are not returnable.

**FROSTERS - ONE ZONE, SIDE SERVICED, LOW PROFILE\***

MODEL	LIST	LENGTH	DOORS	DOOR OPENING	WEIGHT	AMPS	HP	10 Oz. MUGS	6" HIGH PINT GLASSES
F1SL24	\$6,431	24"	1	17.5" W	180#	5.0	1/3	101	72
F1SL28	\$6,635	28"	1	20" W	195#	5.0	1/3	123	75
F1SL36	\$8,536	36"	2	12" W	230#	5.0	1/3	171	115
F1SL44	\$8,943	44"	2	16" W	255#	5.0	1/3	231	151
F1SL48	\$9,156	48"	2	18" W	280#	5.0	1/3	261	169

Base price only. See below for configurable options.

**ACCESSORIES**

MODEL	DESCRIPTION	LIST
DIP-17	Drawer insert for fractional stainless pans, 17.5" door opening (pans not included)	\$234
DIP-18	Drawer insert for fractional stainless pans, 18" door opening (pans not included)	\$239
DIP-20	Drawer insert for fractional stainless pans, 20" door opening (pans not included)	\$261

Bar Refrigeration



DIP-18  
Pans not included



Capable of storing specialty cocktail ice

\*NOTE: F1SL units are manufactured to order and are not returnable.

### Select Configurable Options:

#### VOLTAGE

120V/60HZ	No charge
220V/50HZ (export voltage)	\$279

#### REFRIGERATION COMPARTMENT LOCATION

Left	No charge
Right	No charge

#### REFRIGERATION COMPARTMENT COVER FINISH

Black vinyl-clad	No charge
Stainless steel	\$36
Jeweled stainless steel	\$211

#### DOOR/DRAWER OPTIONS

NOTE: Select options for EACH Door/Drawer Section

##### STYLE AND FINISH - PER SECTION

Door - Black vinyl-clad	No charge
Door - Unlaminated	No charge
Door - Stainless steel	\$43
Door - Jeweled stainless	\$229
Door - Laminated	\$262
Door - Glass, black vinyl-clad	\$665
Door - Glass, stainless steel	\$708
Door - Glass, jeweled stainless	\$894
Door - Glass, laminated	\$927
Drawers - Black vinyl-clad	\$2,160
Drawers - Unlaminated	\$2,160
Drawers - Stainless steel	\$2,203
Drawers - Jeweled stainless	\$2,389
Drawers - Laminated	\$2,422

##### DOOR HINGE LOCATION - PER DOOR

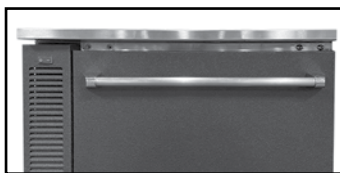
Left	No charge
Right	No charge

##### DOOR HANDLE - PER DOOR/DRAWER

Signature handle (doors only)	No charge
Pull-tab handle - stainless or black to match door; black for laminate	No charge
Tube handle	No charge



Drawer pull-tab handle



Drawer tube handle



Optional drawers include adjustable divider walls

#### TOP STYLE

	24"	28"	36"	44"	48"
No finished top	No charge				
Stainless top	\$399	\$422	\$471	\$521	\$545
Drainboard top	\$658	\$700	\$788	\$873	\$917

#### 4" HIGH STAINLESS SPLASHES

	24"	28"	36"	44"	48"
NOTE: Can only be ordered with stainless steel top					
Backsplash	\$146	\$154	\$168	\$182	\$187
Left side splash	\$146	\$146	\$146	\$146	\$146
Right side splash	\$146	\$146	\$146	\$146	\$146

#### LEFT SIDE FINISH

Black vinyl-clad	No charge
Stainless Steel	\$43
Laminated	\$262

#### RIGHT SIDE FINISH

Black vinyl-clad	No charge
Stainless Steel	\$43
Laminated	\$262

#### BACK FINISH

	24"	28"	36"	44"	48"
Galvanized steel	No charge				
Stainless steel*	\$331	\$342	\$366	\$391	\$405

\*NOTE: Stainless steel back option also includes stainless steel sides.

#### LED LIGHTING STYLE

Bright white (7,000k), standard	No charge
Warm white (3,500k)	No charge
Blue	No charge

#### LEG AND STAINLESS STEEL KICK RAILS

NOTE: Legs are required if kick rails are ordered.

	24"	28"	36"	44"	48"
6" legs	\$185	\$185	\$185	\$185	\$185
Front kick rail	\$115	\$120	\$129	\$138	\$143
Left side kick rail	\$115	\$115	\$115	\$115	\$115
Right side kick rail	\$115	\$115	\$115	\$115	\$115

#### CASTERS

	24"	28"	36"	44"	48"
4-1/8" casters	\$165	\$165	\$165	\$165	\$165
2-7/8" casters	\$160	\$160	\$160	\$160	\$160



Signature handle



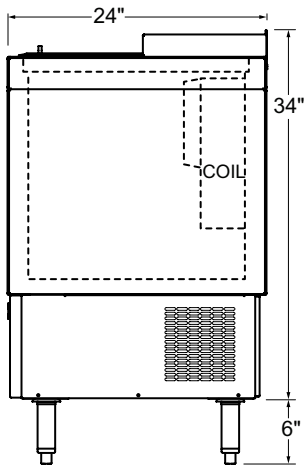
Pull tab handle



Tube handle

Bar Refrigeration

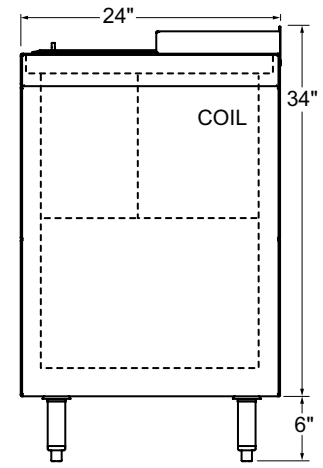




ST24  
Side Elevation



ST48-S



ST36, ST48, ST60, ST72, ST96  
Side Elevation

## SLIDE TOP COOLERS

BLACK VINYL-CLAD EXTERIOR		STAINLESS STEEL EXTERIOR		LENGTH	DIVIDER RACKS	CASE CAP. BOTTLES	WGT
MODEL	LIST	MODEL	LIST				
ST24-B	\$5,057	ST24-S	\$5,307	24"	1	6.0	180#
ST36-B	\$5,839	ST36-S	\$6,108	36"	2	9.4	230#
ST48-B	\$7,445	ST48-S	\$7,729	48"	3	13.8	270#
ST60-B	\$8,475	ST60-S	\$8,773	60"	3	19.9	320#
ST72-B	\$9,578	ST72-S	\$9,899	72"	4	25.4	350#
ST96-B*	\$11,533	ST96-S*	\$11,886	96"	5	34.4	450#

\*NOTE: These model Slide Top Coolers are manufactured to order and are not returnable

### PRODUCT INFORMATION

(see ST Spec Sheet for complete details)

#### STANDARD FEATURES:

- Self-contained refrigeration
- All stainless steel interior with radius corners is easy to keep clean
- Easy to plan exterior dimensions: 24" front to back and 24", 36", 48", 60", 72", or 96" left to right
- Foamed-in-place insulation
- Six-foot grounded cord and plug provided (exits at rear)
- Automatic defrost timer
- Door lock(s)

#### ELECTRICAL:

- Dedicated 15 amp circuit is required
- 120V, 1 phase, 60 Hz, 4.5 full load amps
- Includes 9-foot grounded cord

#### REFRIGERATION:

- 1/6 HP, R290 refrigerant

#### PLUMBING:

Automatic condensate evaporator. No drain connection required.

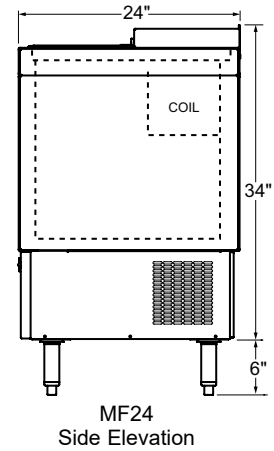
## ACCESSORIES

MODEL	DESCRIPTION	LIST	WT	MODEL	DESCRIPTION	LIST	WT
C-4X4-1/8	4-1/8"H caster, set of four (ST24, ST36, ST48, ST60)	\$165	4#	STKR-60	60" kick rail	\$157	5#
C-6X4-1/8	4-1/8"H caster, set of six (ST72, ST96)	\$249	6#	STKR-72	72" kick rail	\$172	6#
C-4X2-7/8	2-7/8"H caster, set of four (ST24, ST36, ST48, ST60)	\$160	4#	STKR-96	96" kick rail	\$200	9#
C-6X2-7/8	2-1/2"H caster, set of six (ST72, ST96)	\$239	8#	STBS-24	24" slide top backsplash	\$146	4#
STLS-4	Legs (set of 4), 6" (ST24)	\$185	5#	STBS-36	36" slide top backsplash	\$168	6#
CLS-4	Legs (set of 4), 6" (ST36, 48, 60)	\$185	5#	STBS-48	48" slide top backsplash	\$187	8#
CLS-6	Legs (set of 6), 6" (ST72, 96)	\$277	7#	STBS-60	60" slide top backsplash	\$210	10#
BO/CC	Bottle opener/cap catcher	\$92	5#	STBS-72	72" slide top backsplash	\$233	12#
STKR-24	24" kick rail	\$115	2#	STBS-96	96" slide top backsplash	\$276	16#
STKR-36	36" kick rail	\$129	3#	08000512	Chrome divider rack (extra) for ST36, 48, 60, 72, and 96	\$88	4#
STKR-48	48" kick rail	\$143	4#	08000519	Stainless steel divider wall (extra) for ST24	\$97	5#
				CE-220/50S	Convert self-contained unit to 220V/50Hz electrical	\$279	N/A



MF48-S2

NOTE: Units come standard with bottom rack, which is recommended for chilling stacked plates. Two additional layers of shelves are optional, which is recommended for chilling glassware.



MF24  
Side Elevation

**24" MODELS**

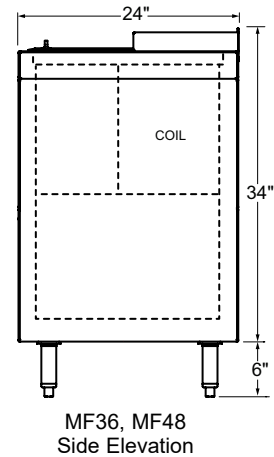
BLACK VINYL-CLAD EXTERIOR		STAINLESS STEEL EXTERIOR		NUMBER OF SHELVES	WGT
MODEL	LIST	MODEL	LIST		
MF24-B	\$5,969	MF24-S	\$6,218	0	195#
MF24-B2	\$6,141	MF24-S2	\$6,389	2	205#

**36" MODELS**

BLACK VINYL-CLAD EXTERIOR		STAINLESS STEEL EXTERIOR		NUMBER OF SHELVES	WGT
MODEL	LIST	MODEL	LIST		
MF36-B	\$6,702	MF36-S	\$6,967	0	235#
MF36-B2	\$6,965	MF36-S2	\$7,233	2	255#

**48" MODELS**

BLACK VINYL-CLAD EXTERIOR		STAINLESS STEEL EXTERIOR		NUMBER OF SHELVES	WGT
MODEL	LIST	MODEL	LIST		
MF48-B	\$7,560	MF48-S	\$7,845	0	280#
MF48-B2	\$7,922	MF48-S2	\$8,206	2	300#



MF36, MF48  
Side Elevation

**ACCESSORIES**

MODEL	DESCRIPTION	LIST	WT
C-4X4-1/8	4-1/8"H caster, set of four	\$165	4#
C-4X2-7/8	2-7/8"H caster, set of four	\$160	4#
MFLS	Legs (set of 4), 6" (MF24)	\$185	5#
CLS-4	Legs (set of 4), 6" (MF36, 48)	\$185	5#
MFKR-24	24" kick rail	\$115	2#
MFKR-36	36" kick rail	\$129	3#
MFKR-48	48" kick rail	\$143	4#
SSR-24	24" single speed rail	\$288	7#
SSR-36	36" single speed rail	\$335	12#
SSR-48	48" single speed rail	\$385	22#
MFBS-24	24" backsplash	\$146	4#
MFBS-36	36" backsplash	\$168	6#
MFBS-48	48" backsplash	\$187	8#
CE-220/50S	Convert self-contained unit to 220V/50Hz electrical	\$279	N/A

**PRODUCT INFORMATION**

(see MF Spec Sheet for complete details)

**STANDARD FEATURES:** All stainless steel interior construction  
 • Units come standard with bottom rack, which is recommended for chilling stacked plates. Two additional layers of shelves are optional, which is recommended for chilling glassware. • Two Defrost Cycles: *Automatic* - occurs every eight hours without affecting normal operation, *Manual* - user initiated button for complete six-hour defrost with automatic restart

**ELECTRICAL:** 120V, 1 phase, 60 Hz, 6.0 full load amps. Includes 9-foot grounded cord.

**REFRIGERATION:** 1/3 HP, R290 refrigerant, operating range: 12°F to 35°F

**PLUMBING:** No drain connection required

**CAPACITY:** Pint glasses - 24" Model = 55♦, 36" Model = 87♦, 48" Model = 147♦

♦ Based on models with two additional layers of shelves and filled with 3-1/2" diameter by 5-7/8" high pint glasses

Bar Refrigeration

## 12" DEEP GLASS ICE DISPLAY UNITS

MODEL	LIST	WEIGHT	LENGTH
GDU-12X24	\$2,161	60#	24"
GDU-12X30	\$2,262	65#	30"
GDU-12X36	\$2,360	70#	36"
GDU-12X42	\$2,461	75#	42"
GDU-12X48	\$2,558	80#	48"
GDU-12X54	\$2,658	85#	54"
GDU-12X60	\$3,646	90#	60"
GDU-12X66	\$3,781	95#	66"
GDU-12X72	\$3,920	100#	72"
GDU-12X78	\$4,055	105#	78"
GDU-12X84	\$4,193	110#	84"
GDU-12X90	\$4,329	115#	90"
GDU-12X96	\$4,465	120#	96"
GDU-12X102	\$4,603	125#	102"
GDU-12X108	\$4,738	130#	108"

## 16" DEEP GLASS ICE DISPLAY UNITS

16" Deep Glass Display Units factory installed on cooler tops are perfect for use with Glasterder Lighted Liquor Displays.

MODEL	LIST	WEIGHT	LENGTH
GDU-16X24	\$2,393	70#	24"
GDU-16X30	\$2,493	75#	30"
GDU-16X36	\$2,594	80#	36"
GDU-16X42	\$2,693	85#	42"
GDU-16X48	\$2,794	90#	48"
GDU-16X54	\$2,893	95#	54"
GDU-16X60	\$3,879	100#	60"
GDU-16X66	\$4,017	105#	66"
GDU-16X72	\$4,152	110#	72"
GDU-16X78	\$4,289	115#	78"
GDU-16X84	\$4,424	120#	84"
GDU-16X90	\$4,560	125#	90"
GDU-16X96	\$4,697	130#	96"
GDU-16X102	\$4,834	135#	102"
GDU-16X108	\$4,970	140#	108"

## 18" DEEP GLASS ICE DISPLAY UNITS

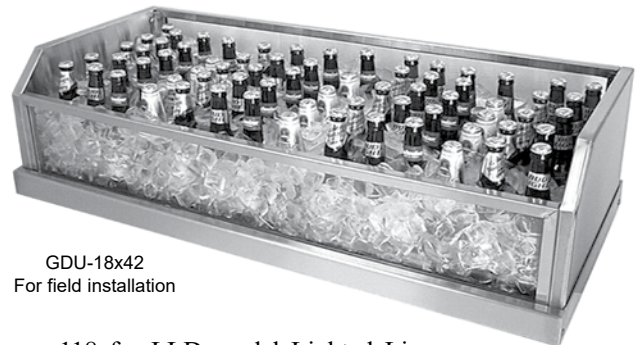
MODEL	LIST	WEIGHT	LENGTH
GDU-18X24	\$2,393	70#	24"
GDU-18X30	\$2,493	75#	30"
GDU-18X36	\$2,594	80#	36"
GDU-18X42	\$2,693	85#	42"
GDU-18X48	\$2,794	90#	48"
GDU-18X54	\$2,893	95#	54"
GDU-18X60	\$3,879	100#	60"
GDU-18X66	\$4,017	105#	66"
GDU-18X72	\$4,152	110#	72"
GDU-18X78	\$4,289	115#	78"
GDU-18X84	\$4,424	120#	84"
GDU-18X90	\$4,560	125#	90"
GDU-18X96	\$4,697	130#	96"
GDU-18X102	\$4,834	135#	102"
GDU-18X108	\$4,970	140#	108"

\*NOTE: Glass Ice Display Units are manufactured to order and are not returnable



NOTE: Cooler top is 1-1/2" high NOT the standard 1"

GDU-16x48  
Factory mounted on cooler cabinet



GDU-18x42  
For field installation

See page 118 for LLD model Lighted Liquor Displays that are specifically designed for use with Glasterder Glass Ice Display Units.

## 24" DEEP GLASS ICE DISPLAY UNITS

MODEL	LIST	WEIGHT	LENGTH
GDU-24X24	\$2,625	75#	24"
GDU-24X30	\$2,726	80#	30"
GDU-24X36	\$2,826	85#	36"
GDU-24X42	\$2,926	90#	42"
GDU-24X48	\$3,024	95#	48"
GDU-24X54	\$3,126	100#	54"
GDU-24X60	\$4,106	110#	60"
GDU-24X66	\$4,242	115#	66"
GDU-24X72	\$4,380	120#	72"
GDU-24X78	\$4,516	125#	78"
GDU-24X84	\$4,652	130#	84"
GDU-24X90	\$4,789	135#	90"
GDU-24X96	\$4,926	140#	96"
GDU-24X102	\$5,062	145#	102"
GDU-24X108	\$5,200	150#	108"

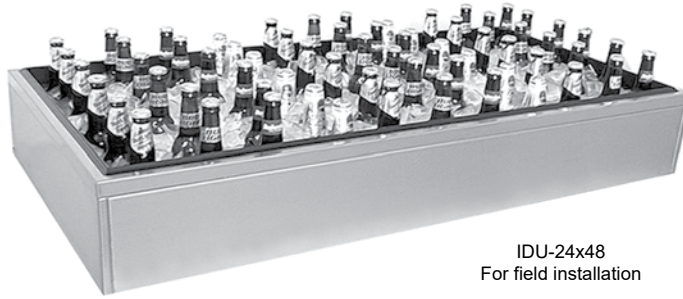
### PRODUCT INFORMATION

(see GDU Spec Sheet for complete details)

### STANDARD FEATURES

- Stainless steel foamed-in-place insulated end panels (units larger than 54" include center partition)
- Field installed units include a stainless steel insulated drain pan to mount to existing counter top
- Factory installed units include a special stainless steel insulated cooler top with built-in drain pan
- Double pane glass front and back panels with stainless steel trim
- Stainless steel perforated bottom inserts (1/2" tall)

NOTE: Glass ice display units merchandise bottled beverages and may be factory mounted to the top of most Glasterder coolers. Glass Ice Display Units ordered for field installation include a special insulated stainless steel drain pan that mounts to a countertop.



IDU-24x48  
For field installation

**STANDARD FEATURES**

- All stainless steel construction
- PVC “Breaker Strip” around ice bins acts as thermal barrier to prevent heat transfer
- Foamed-in-place insulation
- Stainless steel front, back, and sides are standard; black vinyl-clad is optional
- 1/2” tall perforated stainless steel bottom inserts
- Available as factory installed on top of a cooler cabinet or as field installed on a countertop
- 7” high with 6” deep liner

**PRODUCT INFORMATION**

(see IDU Spec Sheet for complete details)

Ice display units merchandise bottled beverages and may be factory mounted to the top of most Glastender coolers.

Ice display unit may also be field installed to an existing countertop. A \$500 list deduct applies to field installed units.

**12” DEEP ICE DISPLAY UNITS**

<u>MODEL</u>	<u>LIST</u>	<u>WEIGHT</u>	<u>LENGTH</u>
IDU-12X24	\$1,940	35#	24”
IDU-12X30	\$2,075	40#	30”
IDU-12X36	\$2,214	45#	36”
IDU-12X42	\$2,350	50#	42”
IDU-12X48	\$2,485	55#	48”
IDU-12X54	\$2,623	60#	54”
IDU-12X60	\$2,759	65#	60”

**18” DEEP ICE DISPLAY UNITS**

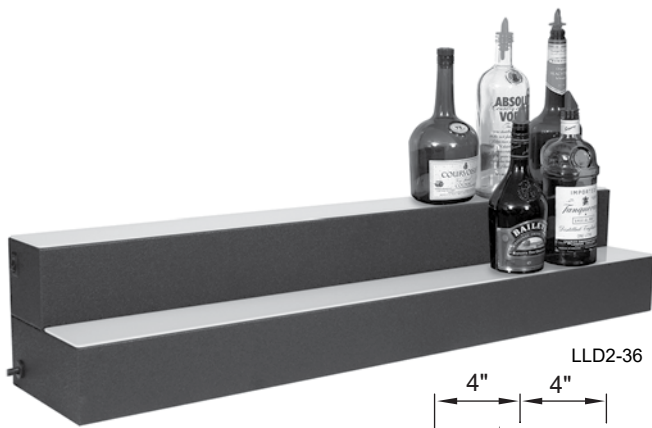
<u>MODEL</u>	<u>LIST</u>	<u>WEIGHT</u>	<u>LENGTH</u>
IDU-18X24	\$2,191	45#	24”
IDU-18X30	\$2,384	50#	30”
IDU-18X36	\$2,576	58#	36”
IDU-18X42	\$2,768	66#	42”
IDU-18X48	\$2,961	74#	48”
IDU-18X54	\$3,153	82#	54”
IDU-18X60	\$3,344	90#	60”

**24” DEEP ICE DISPLAY UNITS**

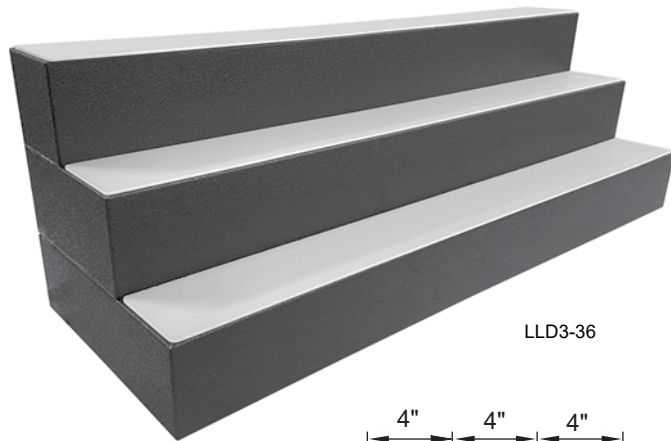
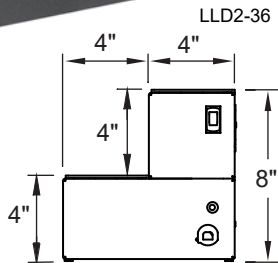
<u>MODEL</u>	<u>LIST</u>	<u>WEIGHT</u>	<u>LENGTH</u>
IDU-24X24	\$2,421	55#	24”
IDU-24X30	\$2,673	65#	30”
IDU-24X36	\$2,929	75#	36”
IDU-24X42	\$3,183	85#	42”
IDU-24X48	\$3,436	95#	48”
IDU-24X54	\$3,689	105#	54”
IDU-24X60	\$3,942	115#	60”

Bar Refrigeration

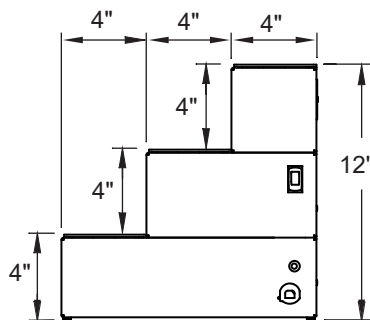
\*NOTE: Ice Display Units are manufactured to order and are not returnable



SIDE VIEW - LLD2  
(if power cord right)



SIDE VIEW - LLD3  
(if power cord right)



**TWO TIER LIGHTED LIQUOR DISPLAYS**

MODEL	LIST	LENGTH	WEIGHT
LLD2-24	\$969	24"	25#
LLD2-30	\$1,081	30"	29#
LLD2-36	\$1,182	36"	33#
LLD2-42	\$1,284	42"	37#
LLD2-48	\$1,393	48"	41#
LLD2-54	\$1,524	54"	45#
LLD2-60	\$1,626	60"	58#

Base price only. See below for configurable options.

**THREE TIER LIGHTED LIQUOR DISPLAYS**

MODEL	LIST	LENGTH	WEIGHT
LLD3-24	\$1,357	24"	30#
LLD3-30	\$1,528	30"	35#
LLD3-36	\$1,680	36"	40#
LLD3-42	\$1,833	42"	44#
LLD3-48	\$1,994	48"	49#
LLD3-54	\$2,195	54"	54#
LLD3-60	\$2,347	60"	70#

Base price only. See below for configurable options.

**PRODUCT INFORMATION**

(see LLD Spec Sheet for complete details)

**STANDARD FEATURES:** Provides illuminated, stepped liquor bottle storage and display • Black vinyl-clad or stainless steel exterior • On/off switch and 6-foot grounded cord and plug • Includes LED light strips • LED lighting style available as bright white, warm white, or adjustable multi-color • Opaque acrylic step cover

**ELECTRICAL:** 100-240 VAC, 1 phase, 50/60Hz, less than 2 full load amps • Includes on/off switch and 6-foot grounded cord and plug

\*NOTE: Lighted Liquor Displays are manufactured to order and are not returnable

Bar Refrigeration

**Select Configurable Options:**

**POWER CORD STYLE**

Type B - NEMA 5-15P (Default - North America)	No charge
Type F (Europe)	No charge
Type M (India)	No charge

**POWER CORD LOCATION**

Left	No charge
Right	No charge

**EXTERIOR FINISH**

Black vinyl-clad	No charge
Stainless steel	\$56

**LED LIGHTING**

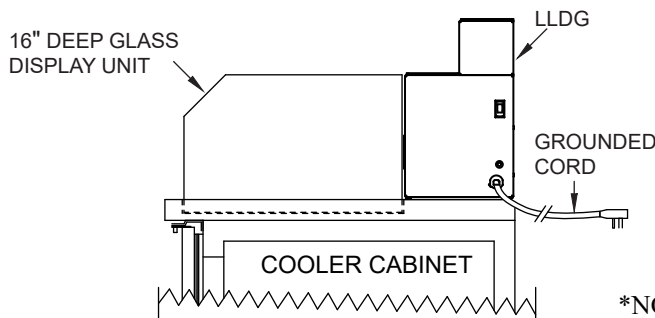
Bright white	No charge
Warm white	No charge
Adjustable multi-color	\$213



LLDG-48 shown installed with a GDU-16x48 factory mounted on cooler cabinet



LLDG-36



SIDE VIEW OF LLDG  
(with factory installed 16" deep glass ice display unit)

\*NOTE: Lighted Liquor Displays are manufactured to order and are not returnable

LLDG model Lighted Liquor Displays are specifically designed for use with Glastender Glass Ice Display Units (see page 115). When mounted on a cooler at the factory, the 16" deep GDU models have an 8-1/4" rear deck space designed to fit the 8" deep LLDG. The 9-1/4" high first step of the LLDG raises the bottles above the back of the GDU. Also, the LLDG has a front light channel to help illuminate the GDU. (See the side view detail.)

## GLASS ICE DISPLAY UNIT LIGHTED LIQUOR DISPLAYS

MODEL	LIST	LENGTH	WEIGHT
LLDG-24	\$1,432	24"	25#
LLDG-30	\$1,597	30"	29#
LLDG-36	\$1,744	36"	33#
LLDG-42	\$1,891	42"	37#
LLDG-48	\$2,049	48"	41#
LLDG-54	\$2,246	54"	45#
LLDG-60	\$2,393	60"	58#

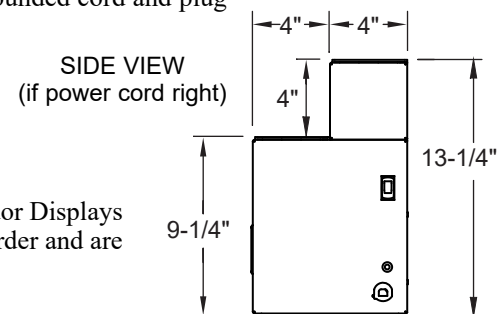
Base price only. See below for configurable options.

### PRODUCT INFORMATION

(see LLD Spec Sheet for complete details)

**STANDARD FEATURES:** Provides illuminated, stepped liquor bottle storage and display • Black vinyl-clad or stainless steel exterior • On/off switch and 6-foot grounded cord and plug • Includes LED light strips • LED lighting style available as bright white, warm white, or adjustable multi-color • Opaque acrylic step cover • 9-1/4" high first step and a front light channel for use in conjunction with Glastender Glass Ice Display Units

**ELECTRICAL:** 100-240 VAC, 1 phase, 50/60Hz, less than 2 full load amps • Includes on/off switch and 6-foot grounded cord and plug



Bar Refrigeration

## Select Configurable Options:

POWER CORD STYLE	
Type B - NEMA 5-15P (Default - North America)	No charge
Type F (Europe)	No charge
Type M (India)	No charge

POWER CORD LOCATION	
Left	No charge
Right	No charge

LED LIGHTING	
Bright white	No charge
Warm white	No charge
Adjustable multi-color	\$213

EXTERIOR FINISH	
Black vinyl-clad	No charge
Stainless steel	\$56

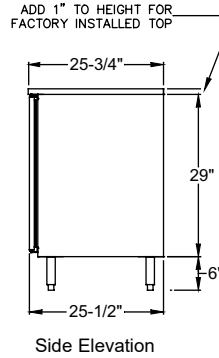
## PRODUCT INFORMATION

(see LPDS Spec Sheet for complete details)

**STANDARD FEATURES:** Galvanized steel interior construction • Foamed-in-place insulation for extra sturdiness • Black vinyl-clad steel exterior front and sides • Stainless steel die cast handle with lock • Leg sockets recessed into base • 180° swinging door



LPDS24-1SS(L)



Side Elevation

## LOW PROFILE DRY STORAGE CABINETS

MODEL	LIST	LENGTH	DOORS	WEIGHT
LPDS24	\$1,994	24"	1	135#
LPDS40	\$3,763	40"	2	245#
LPDS48	\$3,982	48"	2	255#
LPDS60	\$5,168	60"	3	350#
LPDS72	\$5,558	72"	3	365#
LPDS80	\$6,605	80"	4	455#
LPDS96	\$7,130	96"	4	475#

Base price only. See below for configurable options.

\*NOTE: Low Profile Dry Storage Cabinets are manufactured to order and are not returnable.

## Select Configurable Options:

### DOOR OPTIONS

NOTE: Select options for EACH Door Section

#### STYLE AND FINISH - PER DOOR

Door - Black vinyl-clad	No charge
Door - Unlaminated	No charge
Door - Stainless steel	\$43
Door - Jeweled stainless	\$229
Door - Laminated	\$262

#### DOOR HINGE LOCATION - PER DOOR

Left	No charge
Right	No charge

#### SHELVING

Two adjustable shelves per door included	No charge
--	-----------

#### DOOR HANDLE - PER DOOR

Signature handle	No charge
Pull-tab handle - stainless or black to match door; black for laminate	No charge
Tube handle	No charge



Signature handle Pull tab handle Tube handle

### TOP STYLE

	24"	40"	48"	60"	72"	80"	96"
No finished top	No charge						
Stainless top	\$455	\$495	\$545	\$619	\$693	\$743	\$841

### LEFT SIDE FINISH

Black vinyl-clad	No charge
Stainless Steel	\$43
Laminated	\$262

### RIGHT SIDE FINISH

Black vinyl-clad	No charge
Stainless Steel	\$43
Laminated	\$262

### LEG AND STAINLESS STEEL KICK RAILS

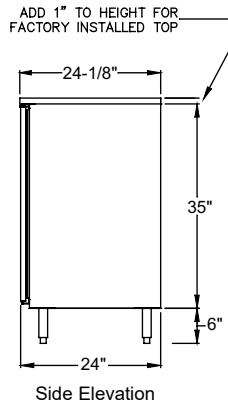
NOTE: Legs are required if kick rails are ordered.

	24"	40"	48"	60"	72"	80"	96"
6" legs	\$185	\$185	\$185	\$277	\$277	\$277	\$277
Front kick rail	\$115	\$132	\$143	\$157	\$172	\$181	\$200
Left side kick rail	\$115	\$115	\$115	\$115	\$115	\$115	\$115
Right side kick rail	\$115	\$115	\$115	\$115	\$115	\$115	\$115

### CASTERS

	24"	40"	48"	60"	72"	80"	96"
4-1/8" casters	\$165	\$165	\$165	\$249	\$249	\$249	\$249
2-7/8" casters	\$160	\$160	\$160	\$239	\$239	\$239	\$239

\*NOTE: DS48 and DS72 model dry storage cabinets are manufactured to order and are not returnable



DS24 with stainless door and top

## PRODUCT INFORMATION

(see Dry Storage Spec Sheet for complete details)

### STANDARD FEATURES:

- Galvanized steel interior construction
- Galvanized steel back

## DRY STORAGE CABINETS

MODEL	LIST	LENGTH	DOORS	WEIGHT
DS24	\$2,191	24"	1	140#
DS40	\$3,950	40"	2	255#
DS48	\$4,183	48"	2	265#
DS60	\$5,419	60"	3	365#
DS72	\$5,823	72"	3	380#
DS80	\$6,981	80"	4	475#
DS96	\$7,526	96"	4	495#

Base price only. See below for configurable options.

## Select Configurable Options:

### DOOR OPTIONS

NOTE: Select options for EACH Door Section

#### STYLE AND FINISH - PER DOOR

Door - Black vinyl-clad	No charge
Door - Unlaminated	No charge
Door - Stainless steel	\$43
Door - Jeweled stainless	\$229
Door - Laminated	\$262

#### DOOR HINGE LOCATION - PER DOOR

Left	No charge
Right	No charge

#### SHELVING

Two adjustable shelves per door included	No charge
--	-----------

#### DOOR HANDLE - PER DOOR

Signature handle	No charge
Pull-tab handle - stainless or black to match door; black for laminate	No charge
Tube handle	No charge



Signature handle Pull tab handle Tube handle

### TOP STYLE

	24"	40"	48"	60"	72"	80"	96"
No finished top	No charge						
Stainless top	\$455	\$495	\$545	\$619	\$693	\$743	\$841

### LEFT SIDE FINISH

Black vinyl-clad	No charge
Stainless Steel	\$43
Laminated	\$262

### RIGHT SIDE FINISH

Black vinyl-clad	No charge
Stainless Steel	\$43
Laminated	\$262

### LEG AND STAINLESS STEEL KICK RAILS

NOTE: Legs are required if kick rails are ordered.

	24"	40"	48"	60"	72"	80"	96"
6" legs	\$185	\$185	\$185	\$277	\$277	\$277	\$277
Front kick rail	\$115	\$132	\$143	\$157	\$172	\$181	\$200
Left side kick rail	\$115	\$115	\$115	\$115	\$115	\$115	\$115
Right side kick rail	\$115	\$115	\$115	\$115	\$115	\$115	\$115

### CASTERS

	24"	40"	48"	60"	72"	80"	96"
4-1/8" casters	\$165	\$165	\$165	\$249	\$249	\$249	\$249
2-7/8" casters	\$160	\$160	\$160	\$239	\$239	\$239	\$239

Bar Refrigeration



## PRODUCT INFORMATION

(see BGS and BLD Spec Sheets for complete details)



BGS-24  
shown with TOP-24-S



BLD-24  
shown with TOP-24-S

### 24" DEEP BACK BAR GLASS STORAGE UNITS

BLACK	LIST	STAINLESS	LIST	LENGTH	WGT
BGS-18	\$2,547	BGS-18-S	\$2,633	18"	110#
BGS-24	\$2,937	BGS-24-S	\$3,023	24"	135#
BGS-30	\$3,327	BGS-30-S	\$3,412	30"	160#

### 24" DEEP BACK BAR LIQUOR DISPLAYS

BLACK	LIST	STAINLESS	LIST	LENGTH	WGT
BLD-18	\$2,387	BLD-18-S	\$2,474	18"	95#
BLD-24	\$2,629	BLD-24-S	\$2,715	24"	105#
BLD-30	\$2,873	BLD-30-S	\$2,959	30"	120#
BLD-36	\$3,114	BLD-36-S	\$3,201	36"	130#
BLD-42	\$3,358	BLD-42-S	\$3,445	42"	145#
BLD-48	\$3,602	BLD-48-S	\$3,689	48"	155#

### LOCKING COVERS FOR BACK BAR LIQUOR DISPLAYS

STAINLESS	LIST	BLACK	LIST	LENGTH	WGT
BLC-18-S	\$407	BLC-18	\$328	18"	18#
BLC-24-S	\$457	BLC-24	\$357	24"	20#
BLC-30-S	\$507	BLC-30	\$388	30"	25#
BLC-36-S	\$559	BLC-36	\$417	36"	30#
BLC-42-S	\$609	BLC-42	\$448	42"	35#
BLC-48-S	\$662	BLC-48	\$480	48"	40#

### STAINLESS TOPS

STAINLESS	LIST	LENGTH	WGT
T-24X18-S	\$404	18"	15#
T-24X24-S	\$455	24"	18#
T-24X30-S	\$506	30"	21#
T-24X36-S	\$557	36"	24#
T-24X42-S	\$606	42"	27#
T-24X48-S	\$658	48"	30#

### STAINLESS KICK RAILS

MODEL	LIST	LENGTH	WGT
CKR-18	\$108	18"	2#
CKR-24	\$115	24"	4#
CKR-30	\$121	30"	6#
CKR-36	\$129	36"	8#
CKR-42	\$133	42"	10#
CKR-48	\$143	48"	12#

### SET OF FOUR 6" LEGS

MODEL	LIST	WEIGHT
CLS-4	\$185	5#

\*NOTE: These items are manufactured to order and are not returnable

Bar Refrigeration

# Margarita Machine Stand\*

Pricing effective June 1, 2022

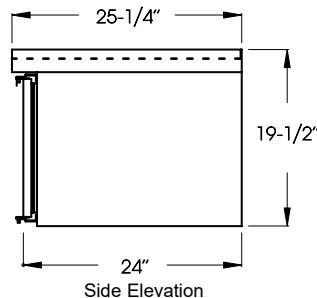
## PRODUCT INFORMATION

(see MS Spec Sheet for complete details)

\*NOTE: Margarita Machine Stands are manufactured to order and are not returnable.



MS20-SS(L)  
Shown with CLS-4  
leg set accessory



### ONE DOOR MARGARITA MACHINE STAND

MODEL	LENGTH	DOOR FINISH	LIST	WEIGHT
MS20-BS(L)† or (R)†	20"	Black	\$2,157	110#
MS20-SS(L)† or (R)†	20"	Stainless	\$2,200	110#
MS24-BS(L)† or (R)†	24"	Black	\$2,236	115#
MS24-SS(L)† or (R)†	24"	Stainless	\$2,279	115#

†Indicate (L) Left or (R) Right door hinge.

### TWO DOOR MARGARITA MACHINE STAND

MODEL	LENGTH	DOOR FINISH	LIST	WEIGHT
MS44-BS(LR)	44"	Black	\$3,949	200#
MS44-SS(LR)	44"	Stainless	\$4,036	200#
MS48-BS(LR)	48"	Black	\$4,028	210#
MS48-SS(LR)	48"	Stainless	\$4,114	210#

### SET OF FOUR 6" LEGS

MODEL	LIST	WEIGHT
CLS-4	\$185	5#

See CS18 Spec Sheet for additional product information

\*NOTE: 18" Condensing Unit Storage Cabinets are manufactured to order and are not returnable

**FORCED AIR CROSSOVER & SHAFT ASSEMBLIES**

MODEL	DESCRIPTION	LIST	WT
CROSS-RR	30" crossover tube assembly with 100 CFM blower motor from a refrigerator to another	\$1,248	15#
CROSS-WR	30" crossover tube assembly with 100 CFM blower motor from a walk-in cooler to a refrigerator	\$1,257	20#
CROSS-WT	30" crossover tube assembly with 100 CFM blower motor from a walk-in cooler to a wall mount tower	\$1,272	20#
SHAFT-RT	72" air shaft assembly with 100 CFM blower motor from a refrigerator to a beer tower	\$1,283	25#
SHAFT-WT	72" air shaft assembly with 100 CFM blower motor from a walk-in cooler to a beer tower	\$1,314	28#

**2" CASTER SETS**

MODEL	DESCRIPTION	LIST	WT
C-4X2-7/8	2-7/8"H caster, set of four, for 2-door front-serviced cooler	\$160	4#
C-4X2-7/8-S	2-7/8"H caster, set of four, for side-serviced coolers and frosters	\$160	4#
C-5X2-7/8	2-7/8"H caster, set of five, for 32" and 36" front-serviced coolers	\$200	5#
C-6X2-7/8	2-7/8"H caster, set of six, for coolers with 3 or 4 doors	\$239	6#

**4" CASTER SETS**

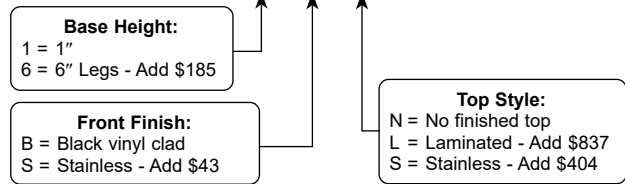
MODEL	DESCRIPTION	LIST	WT
C-4X4-1/8	4-1/8"H caster, set of four, for 2-door front-serviced coolers	\$165	4#
C-4X4-1/8-S	4-1/8"H caster, set of four, for side-serviced coolers and frosters	\$165	4#
C-5X4-1/8	4-1/8"H caster, set of five, for 32" and 36" front-serviced coolers	\$202	5#
C-6X4-1/8	4-1/8"H caster, set of six, for coolers with 3 or 4 doors	\$249	6#

**18" CONDENSING UNIT STORAGE CABINET\***

Standard List = \$1,692

Weight without top = 85# / with top = 105#

CS18-N - N



CS18-N1-SNN

Bar Refrigeration

**6" LEG SETS**

MODEL	DESCRIPTION	LIST	WT
CLS-4	Set of four legs, for front-serviced and remote coolers up to 2 doors - does not include 32" and 36" front-serviced coolers (see CLS-5)	\$185	5#
CLS-4-S	Set of four legs, for side-serviced coolers and frosters	\$185	6#
CLS-5	Set of five legs, for 32" and 36" front-serviced coolers	\$230	6#
CLS-6	Set of six legs, for coolers with 3 or 4 doors	\$277	7#

## PRODUCT INFORMATION

(see BLC Spec Sheet for complete details)

### STANDARD FEATURES:

- Glycol connections with flared fittings for easy service access
- Durable black vinyl-clad exterior with 16 gauge galvanized steel base
- Stainless steel, foamed-in-place insulated glycol bath
- High efficiency heat exchanger minimizes glycol bath size to one gallon
- CFC-free R134a refrigerant
- Front located glycol filling port

### ADDITIONAL FEATURES ON REMOTE INSTALLABLE CONTROL PANEL MODELS:

- Digital temperature control with LCD display
- Over-sized condenser coil for maximum efficiency
- Clear glycol bath cover for easy visual inspection
- Available with two recirculating pumps

Protected by one or more patents. For more information visit:  
<https://www.glastender.com/patents>

### ELECTRICAL:

**BLC-1/3-E:** 120V, 1 phase, 60 Hz, 12.5 full load amps, dedicated 20 amp circuit req'd

**BLC-1/3:** 120V, 1 phase, 60 Hz, 12.5 full load amps, dedicated 20 amp circuit req'd

**BLC-1/3-2:** 120V, 1 phase, 60 Hz, 18.6 full load amps, dedicated 30 amp circuit req'd

**BLC-1/2:** 120V, 1 phase, 60 Hz, 13.5 full load amps, dedicated 20 amp circuit req'd

**BLC-1/2-2:** 120V, 1 phase, 60 Hz, 19.5 full load amps, dedicated 30 amp circuit req'd

**BLC-3/4:** 230V, 1 phase, 60 Hz, 10.1 full load amps, dedicated 20 amp circuit req'd

**BLC-3/4-2:** 230V, 1 phase, 60 Hz, 12.9 full load amps, dedicated 20 amp circuit req'd

### REFRIGERATION:

**BLC-1/3-E, BLC-1/3 and BLC-1/3-2:** 1/3 HP, R134a refrigerant

**BLC-1/2 and BLC-1/2-2:** 1/2 HP, R134a refrigerant

**BLC-3/4 and BLC-3/4-2:** 3/4 HP, R134a refrigerant

## What is a remote installable control panel?

The Glastender patented beverage line chiller design houses the heat exchanger inside the condensing unit compartment. This unique feature allows the control panel with glycol bath and recirculating pump(s) to be easily installed separately from the condensing unit in a more conveniently accessible location. Simply remove the control panel from the condensing unit cabinet and mount it in the desired location. Only glycol and electrical lines need to be run between the control panel and the condensing unit cabinet.

Electrical connection between condensing unit and control panel by local electrician

Glycol line from heat exchanger to bath

Digital temperature control with LCD display

Power cord for unit

Condensing unit and heat exchanger cabinet

Glycol return from beverage tower to heat exchanger

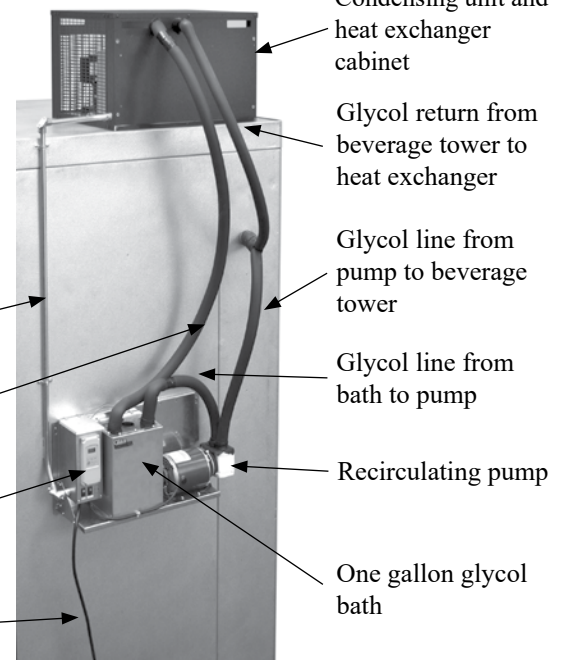
Glycol line from pump to beverage tower

Glycol line from bath to pump

Recirculating pump

One gallon glycol bath

Photo shows BLC-1/3 in an installation setting with the control panel installed remotely from the condensing unit cabinet.



**1/3 HP BEVERAGE LINE CHILLER**

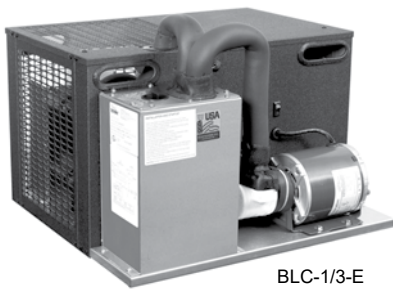
MODEL	DESCRIPTION	LIST	WT	MAX RUN
BLC-1/3-E	1/3 HP beverage line chiller, one pump	\$5,236	128#	125'

**BEVERAGE LINE CHILLERS WITH REMOTE INSTALLABLE CONTROL PANEL**

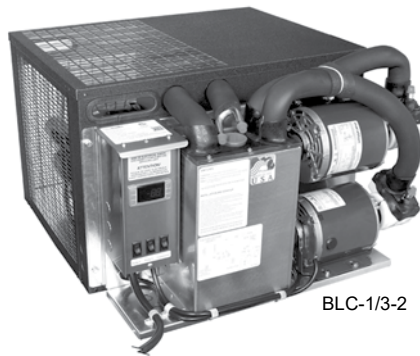
MODEL	DESCRIPTION	LIST	WT	MAX RUN
BLC-1/3	1/3 HP beverage line chiller, one pump	\$6,059	150#	125'
BLC-1/3-2	1/3 HP beverage line chiller, two pumps	\$7,480	163#	125'
BLC-1/2	1/2 HP beverage line chiller, one pump	\$6,659	153#	250'
BLC-1/2-2	1/2 HP beverage line chiller, two pumps	\$8,076	166#	250'
BLC-3/4	3/4 HP beverage line chiller, one pump	\$8,146	175#	400'
BLC-3/4-2	3/4 HP beverage line chiller, two pumps	\$9,563	193#	400'

Which line chiller size should you choose? Remote beverage line chillers are sized to handle different length runs. If two separate conduits are involved, then the lengths of the two runs must be added together to determine the total run requirement. The run length is calculated as the distance between the line chiller and the beverage tower in a single pass glycol conduit, including any rise or fall.

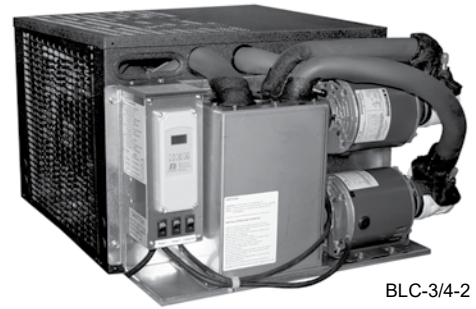
Patented. For more information visit:  
<https://www.glastender.com/patents>



BLC-1/3-E



BLC-1/3-2



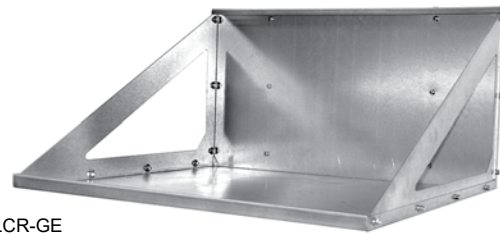
BLC-3/4-2

Beverage Line Chiller Accessories



LCS-G

(see LCS and LCR  
 Spec Sheets for complete details)



LCR-GE

All stands are 39" high by 25-5/16" deep. LCS-S and LCS-G stands are 26-7/8" wide. LCS-S2 and LCS-G2 stands are 32-7/8" wide to accommodate a line chiller on both the top and bottom shelf. Comes with adjustable feet for leveling. The bottom shelf is at the 8" high level. Pre-drilled mounting holes fit Glastender line chiller models. The four stands are used for all line chiller models.

A line chiller wall rack is a shelf that is mounted to a structural wall. The shelf has holes that correspond to the line chiller leg set mounting holes, so the line chiller can be bolted to the shelf.

Beverage Dispensing

**LINE CHILLER STANDS**

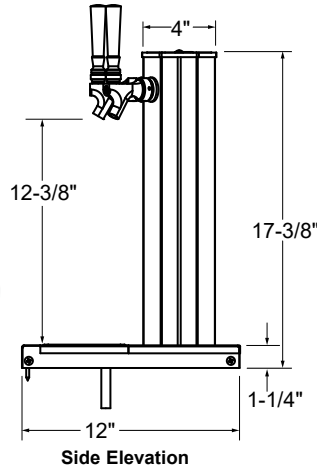
MODEL	DESCRIPTION	LIST	WT
LCS-S	Line chiller stand, stainless	\$1,335	70#
LCS-S2	Line chiller stand, stainless	\$1,444	82#
LCS-G	Line chiller stand, galvanized	\$779	70#
LCS-G2	Line chiller stand, galvanized	\$846	82#

**LINE CHILLER WALL RACKS**

MODEL	DESCRIPTION	LIST	WT
LCR-SE	Wall rack, stainless steel (BLC-1/3-E)	\$743	33#
LCR-GE	Wall rack, galvanized (BLC-1/3-E)	\$431	33#
LCR-S	Wall rack, stainless steel (BLC-1/3, BLC-1/3-2, BLC-1/2, BLC-1/2-2, BLC-3/4, BLC-3/4-2)	\$838	38#
LCR-G	Wall rack, galvanized (BLC-1/3, BLC-1/3-2, BLC-1/2, BLC-1/2-2, BLC-3/4, BLC-3/4-2)	\$474	38#



CT-3-SS  
(handles not included)



**PRODUCT INFORMATION**

(see CT Spec Sheet for complete details)

**STANDARD FEATURES**

- All stainless steel construction
- Integrated surface mount drain pan with lift-out perforated inserts
- 1/4" shanks with 3/16" restriction lines
- Available in grainline finish, mirror finish, or brass finish
- Available with cold plate assembly and insulated restriction lines for glycol recirculating system (specify suffix 'R' in the model number)
- Available in 1, 2, and 3 faucet sizes
- All models include all stainless steel faucets and shanks to resist corrosion and prevent metallic leaching, making them ideal for both draft beer and wine applications
- Unique internal support system for solid mounting
- Base plate serves as template for hole cutting
- Mounting holes will be pre-drilled at the factory if the host cooler is ordered with a finished top and the tower location is specified

NOTE: To convert standard faucet to stout style faucet, specify accessory model number BT-CFG and add \$260 List per faucet.

**COLUMN TOWERS WITH DRAIN PAN AND 7/2" RESTRICTION LINES**

GRAINLINE FINISH		MIRROR FINISH		BRASS FINISH**		FAUCETS	WGT	WIDTH	SYSTEM TYPE
MODEL	LIST	MODEL	LIST	MODEL	LIST				
CT-1-SS	\$1,042	CT-1-MF*	\$1,253	CT-1-PB*	\$1,943	1	13#	14"	Air Cooled
CT-1-SSR*	\$1,930	CT-1-MFR*	\$2,188	CT-1-PBR*	\$2,598	1	21#	14"	Glycol
CT-2-SS	\$1,400	CT-2-MF*	\$1,610	CT-2-PB*	\$2,316	2	15#	14"	Air Cooled
CT-2-SSR*	\$2,287	CT-2-MFR*	\$2,543	CT-2-PBR*	\$2,977	2	23#	14"	Glycol
CT-3-SS	\$1,757	CT-3-MF*	\$1,965	CT-3-PB*	\$2,692	3	18#	14"	Air Cooled
CT-3-SSR*	\$2,643	CT-3-MFR*	\$2,902	CT-3-PBR*	\$3,350	3	26#	14"	Glycol

\*NOTE: These Column Towers are manufactured to order and are not returnable

\*\*NOTE: Brass finish towers provided with mirror finish drain pan and brass finish perforated insert



**RINSER FAUCET EXTENSION**

Column tower drain pans can be manufactured with rinser faucet extensions to the left or right of the drain pan. A rinser faucet extension will add 5" to the overall length of the drain pan. Add the RFE upcharge when placing your order.

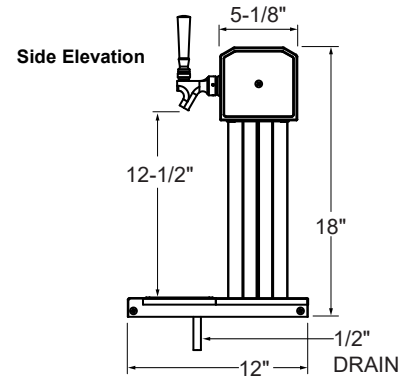
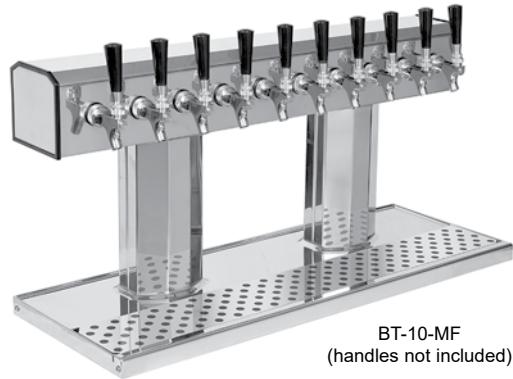
NOTE: Rinser faucets not intended for use with towers mounted to a refrigerator due to risk of water line freeze up.

MODEL	DESCRIPTION	LIST
RFE	Rinser faucet extension	\$691

Rinser faucet installation notes:

- Important: Unit must be installed in conformance with applicable federal, state, and local plumbing codes, including adequate backflow when required.
- Must install backflow prevention device conforming to ANSI/ASSE 1022 or ANSI/ASSE 1024 to meet plumbing code (not included).
- Install in-line water regulator (included).
- A separate shut-off valve is recommended (not included).

Beverage Dispensing



NOTE: To convert standard faucet to stout style faucet, specify accessory model number BT-CFG and add \$260 List per faucet.

**TEE TOWERS WITH DRAIN PAN 72" RESTRICTION LINES**

GRAINLINE FINISH		MIRROR FINISH		BRASS FINISH**		COLUMNS	FAUCETS	WGT	WIDTH	SYSTEMTYPE
MODEL	LIST	MODEL	LIST	MODEL	LIST					
BT-4-SS	\$2,142	BT-4-MF*	\$2,345	BT-4-PB*	\$3,158	1	4	23#	14"	Air Cooled
BT-4-SSR*	\$2,882	BT-4-MFR*	\$3,059	BT-4-PBR*	\$3,853	1	4	31#	14"	Glycol
BT-5-SS	\$2,549	BT-5-MF*	\$2,793	BT-5-PB*	\$3,661	1	5	27#	17"	Air Cooled
BT-5-SSR*	\$3,418	BT-5-MFR*	\$3,635	BT-5-PBR*	\$4,493	1	5	36#	17"	Glycol
BT-6-SS	\$2,955	BT-6-MF*	\$3,239	BT-6-PB*	\$4,159	1	6	31#	20"	Air Cooled
BT-6-SSR*	\$3,951	BT-6-MFR*	\$4,210	BT-6-PBR*	\$5,129	1	6	41#	20"	Glycol
BT-8-SS*	\$3,931	BT-8-MF*	\$4,292	BT-8-PB*	\$5,497	2	8	39#	26"	Air Cooled
BT-8-SSR*	\$5,188	BT-8-MFR*	\$5,523	BT-8-PBR*	\$6,845	2	8	51#	26"	Glycol
BT-10-SS*	\$4,744	BT-10-MF*	\$5,186	BT-10-PB*	\$6,499	2	10	57#	32"	Air Cooled
BT-10-SSR*	\$6,257	BT-10-MFR*	\$6,674	BT-10-PBR*	\$7,843	2	10	71#	32"	Glycol
BT-12-SS*	\$5,556	BT-12-MF*	\$6,080	BT-12-PB*	\$7,498	2	12	65#	38"	Air Cooled
BT-12-SSR*	\$7,334	BT-12-MFR*	\$7,824	BT-12-PBR*	\$8,844	2	12	81#	38"	Glycol

\*NOTE: These Tee Towers are manufactured to order and are not returnable

\*\*NOTE: Brass finish towers provided with mirror finish drain pan and brass finish perforated insert

**PRODUCT INFORMATION** (see BT Spec Sheet for complete details)

**STANDARD FEATURES**

- All stainless steel construction
- Integrated surface mount drain pan with lift-out perforated inserts
- 1/4" shanks with 3/16" restriction lines
- Available in grainline finish, mirror finish, or brass finish
- Available with cold plate assembly and insulated restriction lines for glycol recirculating system (specify suffix 'R' in the model number)
- Available in 4, 5, 6, 8, 10, and 12 faucet sizes
- All models include all stainless steel faucets and shanks to resist corrosion and prevent metallic leaching, making them ideal for both draft beer and wine applications
- Unique internal support system for solid mounting
- Base plate serves as template for hole cutting
- Mounting holes will be pre-drilled at the factory if the host cooler is ordered with a finished top and the tower location is specified

**RINSER FAUCET EXTENSION**



Tee tower drain pans can be manufactured with rinsers faucet extensions to the left or right of the drain pan. A rinsers faucet extension will add 5" to the overall length of the drain pan. Add the REF upcharge when placing your order.

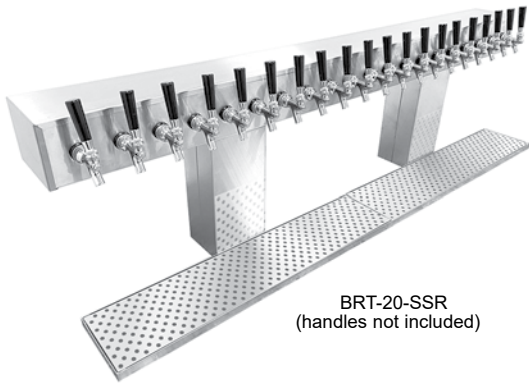
NOTE: Rinsers faucets not intended for use with towers mounted to a refrigerator due to risk of water line freeze up.

MODEL	DESCRIPTION	LIST
RFE	Rinsers faucet extension	\$691

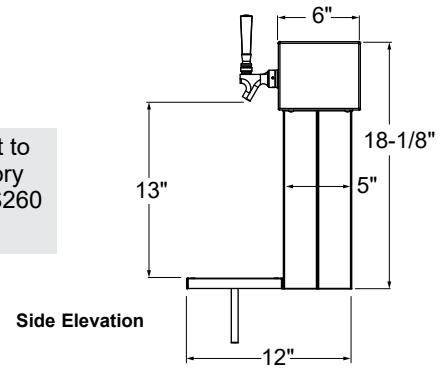
Rinsers faucet installation notes:

- Important: Unit must be installed in conformance with applicable federal, state, and local plumbing codes, including adequate backflow when required.
- Must install backflow prevention device conforming to ANSI/ASSE 1022 or ANSI/ASSE 1024 to meet plumbing code (not included).
- Install in-line water regulator (included).
- A separate shut-off valve is recommended (not included).

Beverage Dispensing



NOTE: To convert standard faucet to stout style faucet, specify accessory model number BT-CFG and add \$260 List per faucet.



## BRIDGE TOWERS WITH DRAIN PAN AND 72" RESTRICTION LINES

GRAINLINE FINISH		MIRROR FINISH		BRASS FINISH**		COLUMNS	FAUCETS	WGT	WIDTH	SYSTEM TYPE
MODEL	LIST	MODEL	LIST	MODEL	LIST					
BRT-14-SS	\$6,692	BRT-14-MF	\$7,051	BRT-14-PB	\$8,778	2	14	70#	44"	Air Cooled †
BRT-14-SSR	\$8,105	BRT-14-MFR	\$8,466	BRT-14-PBR	\$10,193	2	14	84#	44"	Glycol
BRT-16-SS	\$7,360	BRT-16-MF	\$7,749	BRT-16-PB	\$9,633	2	16	77#	50"	Air Cooled †
BRT-16-SSR	\$8,887	BRT-16-MFR	\$9,275	BRT-16-PBR	\$11,161	2	16	93#	50"	Glycol
BRT-18-SS	\$8,060	BRT-18-MF	\$8,494	BRT-18-PB	\$10,537	2	18	77#	27"	Air Cooled †
BRT-18-SSR	\$9,664	BRT-18-MFR	\$10,097	BRT-18-PBR	\$12,141	2	18	103#	27"	Glycol
BRT-20-SSR	\$10,445	BRT-20-MFR	\$10,943	BRT-20-PBR	\$13,144	2	20	112#	62"	Glycol
BRT-24-SSR	\$13,241	BRT-24-MFR	\$13,819	BRT-24-PBR	\$16,589	3	24	140#	74"	Glycol
BRT-30-SSR	\$15,586	BRT-30-MFR	\$16,329	BRT-30-PBR	\$19,576	3	30	168#	92"	Glycol

### PRODUCT INFORMATION (see BRT Spec Sheet for complete details)

#### STANDARD FEATURES

- All stainless steel construction
- Includes surface mount drain pan with lift-out perforated inserts
- 1/4" shanks with 3/16" restriction lines
- Available in grainline finish, mirror finish, or brass finish
- Available with cold plate assembly and insulated restriction lines for glycol recirculating system (specify suffix 'R' in the model number)
- Available in 14, 16, 18, 20, 24, and 30 faucet sizes
- Direct-draw air-cooled option available for 14, 16, and 18 faucet sizes†
- All models include all stainless steel faucets and shanks to resist corrosion and prevent metallic leaching, making them ideal for both draft beer and wine applications
- Mounting holes will be pre-drilled at the factory if the host cooler is ordered with a finished top and the tower location is specified

\*NOTE: Bridge Towers are manufactured to order and are not returnable.

\*\*NOTE: Brass finish towers provided with mirror finish drain pan and brass finish perforated insert.

†NOTE: Product is not intended for remote air-cooled installations

## RINSER FAUCET EXTENSION

Bridge tower drain pans can be manufactured with rinser faucet extensions to the left or right of the drain pan. A rinser faucet extension will add 5" to the overall length of the drain pan. Add the RFE upcharge when placing your order.

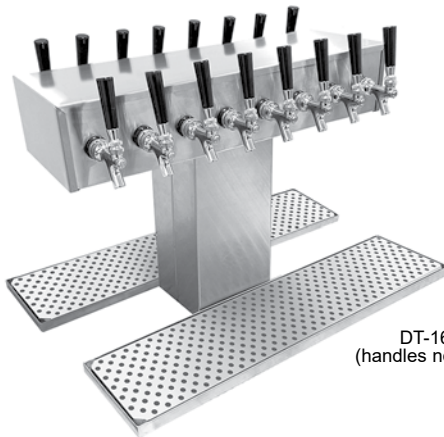
NOTE: Rinsers faucets not intended for use with towers mounted to a refrigerator due to risk of water line freeze up.

#### Rinsers faucet installation notes:

- Important: Unit must be installed in conformance with applicable federal, state, and local plumbing codes, including adequate backflow when required.
- Must install backflow prevention device conforming to ANSI/ASSE 1022 or ANSI/ASSE 1024 to meet plumbing code (not included).
- Install in-line water regulator (included).
- A separate shut-off valve is recommended (not included).

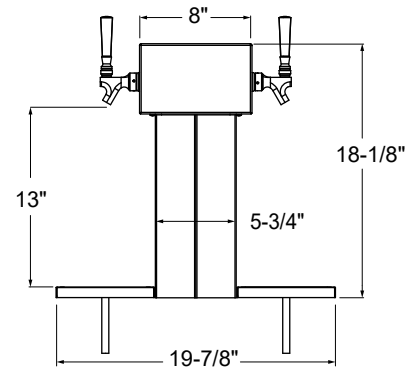
MODEL	DESCRIPTION	LIST
RFE	Rinsers faucet extension	\$691





DT-16-SSR  
(handles not included)

NOTE: To convert standard faucet to stout style faucet, specify accessory model number BT-CFG and add \$260 List per faucet.



Side Elevation

**DOUBLE-SIDED TOWERS WITH DRAIN PAN AND 72" RESTRICTION LINES**

GRAINLINE FINISH		MIRROR FINISH		BRASS FINISH**		COLUMNS	FAUCETS	WGT	WIDTH	SYSTEM TYPE
MODEL	LIST	MODEL	LIST	MODEL	LIST					
DT-16-SSR	\$8,130	DT-16-MFR	\$8,490	DT-16-PBR	\$9,810	1	16	70#	16"	Glycol
DT-20-SSR	\$9,610	DT-20-MFR	\$10,076	DT-20-PBR	\$11,661	1	20	85#	20"	Glycol
DT-24-SSR	\$12,968	DT-24-MFR	\$13,502	DT-24-PBR	\$15,551	2	24	109#	24"	Glycol
DT-32-SSR	\$16,063	DT-32-MFR	\$16,773	DT-32-PBR	\$19,259	2	32	140#	32"	Glycol
DT-36-SSR	\$17,532	DT-36-MFR	\$18,330	DT-36-PBR	\$21,035	2	36	155#	36"	Glycol
DT-40-SSR	\$19,038	DT-40-MFR	\$19,961	DT-40-PBR	\$22,883	2	40	170#	40"	Glycol

**PRODUCT INFORMATION** (see DT Spec Sheet for complete details)

**STANDARD FEATURES**

- All stainless steel construction
- Includes surface mount drain pans with lift-out perforated inserts
- 1/4" shanks with 3/16" restriction lines
- Available in grainline finish, mirror finish, or brass finish
- Includes cold plate assembly and insulated restriction lines for glycol recirculating system
- Available in 16, 20, 24, 32, 36, and 40 faucet sizes

- All models include all stainless steel faucets and shanks to resist corrosion and prevent metallic leaching, making them ideal for both draft beer and wine applications

\*NOTE: Double-Sided Towers are manufactured to order and are not returnable.

\*\*NOTE: Brass finish towers provided with mirror finish drain pan and brass finish perforated insert

**RINSER FAUCET EXTENSION**

Double-Sided tower drain pans can be manufactured with rinsers faucet extensions to the left or right of the drain pan. A rinsers faucet extension will add 5" to the overall length of the drain pan. Add the RFE upcharge when placing your order.

NOTE: Rinsers faucets not intended for use with towers mounted to a refrigerator due to risk of water line freeze up.

**Rinsers faucet installation notes:**

- Important: Unit must be installed in conformance with applicable federal, state, and local plumbing codes, including adequate backflow when required.
- Must install backflow prevention device conforming to ANSI/ASSE 1022 or ANSI/ASSE 1024 to meet plumbing code (not included).
- Install in-line water regulator (included).
- A separate shut-off valve is recommended (not included).

MODEL	DESCRIPTION	LIST
RFE	Rinsers faucet extension	\$691



Beverage Dispensing





CBT-4-MFR  
(handles not included)

NOTE: To convert standard faucet to stout style faucet, specify accessory model number BT-CFG and add \$260 List per faucet.

\*NOTE: Cobra Towers are manufactured to order and are not returnable.

\*\*NOTE: Brass finish towers provided with mirror finish drain pan and brass finish perforated insert

**COBRA TOWERS WITH DRAIN PAN AND 7/2" RESTRICTION LINES**

MIRROR FINISH		BRASS FINISH**		FAUCETS	WGT	WIDTH	SYSTEM TYPE
MODEL	LIST	MODEL	LIST				
CBT-1-MF	\$3,390	CBT-1-GF	\$3,395	1	18#	14"	Air Cooled
CBT-1-MFR	\$3,125	CBT-1-GFR	\$3,217	1	18#	14"	Glycol
CBT-2-MF	\$4,265	CBT-2-GF	\$4,580	2	19#	14"	Air Cooled
CBT-2-MFR	\$4,030	CBT-2-GFR	\$4,409	2	19#	14"	Glycol
CBT-3-MF	\$5,232	CBT-3-GF	\$5,479	3	20#	18"	Air Cooled
CBT-3-MFR	\$5,002	CBT-3-GFR	\$5,316	3	20#	18"	Glycol
CBT-4-MF	\$6,402	CBT-4-GF	\$6,567	4	21#	18"	Air Cooled
CBT-4-MFR	\$5,837	CBT-4-GFR	\$6,411	4	21#	18"	Glycol

**PRODUCT INFORMATION** (see CBT Spec Sheet for complete details)

**STANDARD FEATURES**

- Integrated surface mount drain pan with lift-out perforated inserts
- 1/4" shanks with 3/16" restriction lines
- Available in mirror finish or gold finish.
- Available with insulated cold plate assembly for recirculating system
- All models include all stainless steel faucets and shanks to resist corrosion and prevent metallic leaching, making them ideal for both draft beer and wine applications
- Available with rinsers faucet extension to the left or right of the drain pan. Specify RFE accessory
- Mounting holes will be pre-drilled at the factory if the host cooler is ordered with a finished top and the tower location is specified

**RINSER FAUCET EXTENSION**

COBRA tower drain pans can be manufactured with rinsers faucet extensions to the left or right of the drain pan. A rinsers faucet extension will add 5" to the overall length of the drain pan. Add the RFE upcharge when placing your order.

NOTE: Rinsers faucets not intended for use with towers mounted to a refrigerator due to risk of water line freeze up.

Rinsers faucet installation notes:

- Important: Unit must be installed in conformance with applicable federal, state, and local plumbing codes, including adequate backflow when required.
- Must install backflow prevention device conforming to ANSI/ASSE 1022 or ANSI/ASSE 1024 to meet plumbing code (not included).
- Install in-line water regulator (included).
- A separate shut-off valve is recommended (not included).

MODEL	DESCRIPTION	LIST
RFE	Rinsers faucet extension	\$691

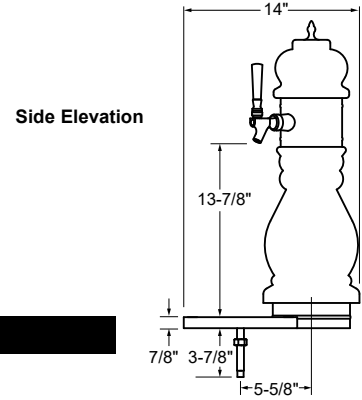
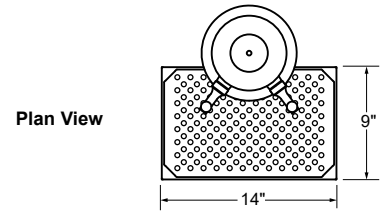




BFT-3-MF  
(handles not included)

NOTE: To convert standard faucet to stout style faucet, specify accessory model number BT-CFG and add \$260 List per faucet.

\*NOTE: Black Forest Towers are manufactured to order and are not returnable.  
\*\*NOTE: Brass finish towers provided with mirror finish drain pan and brass finish perforated insert



**BLACK FOREST TOWERS WITH DRAIN PAN AND 72" RESTRICTION LINES**

MIRROR FINISH		POLISHED BRASS FINISH**		FAUCETS	WGT	WIDTH	SYSTEM TYPE
MODEL	LIST	MODEL	LIST				
BFT-2-MF	\$6,708	BFT-2-PB	\$6,796	2	48#	14"	Air Cooled
BFT-2-MFR	\$6,861	BFT-2-PBR	\$6,948	2	48#	14"	Glycol
BFT-3-MF	\$7,662	BFT-3-PB	\$7,774	3	48#	14"	Air Cooled
BFT-3-MFR	\$7,812	BFT-3-PBR	\$7,924	3	48#	14"	Glycol

**PRODUCT INFORMATION** (see BFT Spec Sheet for complete details)

**STANDARD FEATURES**

- 1/4" stainless steel shanks with 3/16" restriction lines
- All stainless steel faucets
- Surface-mount, stainless steel drain pan with removable, perforated insert

**Configurable Options**

- 2 or 3 faucets
- Mirror or polished brass finish
- Air cooled for direct-draw system or glycol cooled for recirculating system
- Numerous ceramic color finishes; consult factory for details
- Rinser faucet extension to the left or right of the drain pan; specify RFE option

**RINSER FAUCET EXTENSION**

Black forest tower drain pans can be manufactured with rinser faucet extensions to the left or right of the drain pan. A rinser faucet extension will add 5" to the overall length of the drain pan. Add the RFE upcharge when placing your order.

NOTE: Rinser faucets not intended for use with towers mounted to a refrigerator due to risk of water line freeze up.

Rinser faucet installation notes:

- Important: Unit must be installed in conformance with applicable federal, state, and local plumbing codes, including adequate backflow when required.
- Must install backflow prevention device conforming to ANSI/ASSE 1022 or ANSI/ASSE 1024 to meet plumbing code (not included).
- Install in-line water regulator (included).
- A separate shut-off valve is recommended (not included).

MODEL	DESCRIPTION	LIST
RFE	Rinser faucet extension	\$691



Beverage Dispensing

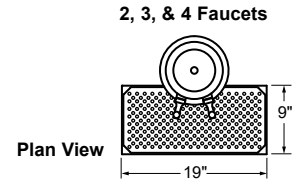


BM-2-MF  
(handles not included)

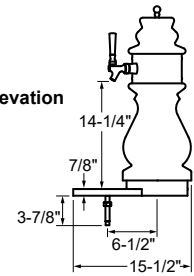
NOTE: To convert standard faucet to stout style faucet, specify accessory model number BT-CFG and add \$260 List per faucet.

\*NOTE: Braumeister Towers are manufactured to order and are not returnable.

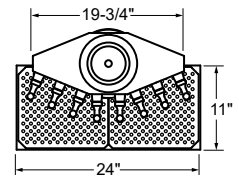
\*\*NOTE: Brass finish towers provided with mirror finish drain pan and brass finish perforated insert



Side Elevation

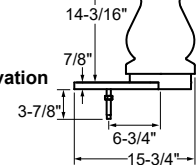


5, 6, & 8 Faucets



Plan View

Side Elevation



## BRAUMEISTER TOWERS WITH DRAIN PAN AND 72" RESTRICTION LINES

MIRROR FINISH		POLISHED BRASS FINISH**		FAUCETS	WGT	WIDTH	SYSTEM TYPE
MODEL	LIST	MODEL	LIST				
BM-2-MF	\$6,728	BM-2-PB	\$6,846	2	48#	19"	Air Cooled
BM-2-MFR	\$6,881	BM-2-PBR	\$6,998	2	48#	19"	Glycol
BM-3-MF	\$7,667	BM-3-PB	\$7,784	3	48#	19"	Air Cooled
BM-3-MFR	\$7,817	BM-3-PBR	\$7,934	3	48#	19"	Glycol
BM-4-MF	\$7,965	BM-4-PB	\$8,083	4	48#	19"	Air Cooled
BM-4-MFR	\$8,337	BM-4-PBR	\$8,454	4	48#	19"	Glycol
BM-5-MF	\$10,377	BM-5-PB	\$10,562	5	101#	24"	Air Cooled
BM-5-MFR	\$10,747	BM-5-PBR	\$10,931	5	101#	24"	Glycol
BM-6-MF	\$11,153	BM-6-PB	\$11,337	6	101#	24"	Air Cooled
BM-6-MFR	\$11,555	BM-6-PBR	\$11,740	6	101#	24"	Glycol
BM-8-MF	\$12,517	BM-8-PB	\$12,702	8	101#	24"	Air Cooled
BM-8-MFR	\$12,888	BM-8-PBR	\$13,072	8	101#	24"	Glycol

### PRODUCT INFORMATION (see BM Spec Sheet for complete details)

#### STANDARD FEATURES

- 1/4" stainless steel shanks with 3/16" restriction lines
- All stainless steel faucets
- Surface-mount, stainless steel drain pan with removable, perforated insert

#### Configurable Options

- 2, 3, 4, 5, 6, or 8 faucets
- Mirror or polished brass finish
- Air cooled for direct-draw system or glycol cooled for recirculating system
- Numerous ceramic color finishes; consult factory for details
- Rinser faucet extension to the left or right of the drain pan; specify RFE option

Beverage Dispensing

### RINSER FAUCET EXTENSION

Braumeister tower drain pans can be manufactured with rinser faucet extensions to the left or right of the drain pan. A rinser faucet extension will add 5" to the overall length of the drain pan. Add the RFE upcharge when placing your order.

NOTE: Rinser faucets not intended for use with towers mounted to a refrigerator due to risk of water line freeze up.

Rinser faucet installation notes:

- Important: Unit must be installed in conformance with applicable federal, state, and local plumbing codes, including adequate backflow when required.
- Must install backflow prevention device conforming to ANSI/ASSE 1022 or ANSI/ASSE 1024 to meet plumbing code (not included).
- Install in-line water regulator (included).
- A separate shut-off valve is recommended (not included).

MODEL	DESCRIPTION	LIST
RFE	Rinser faucet extension	\$691

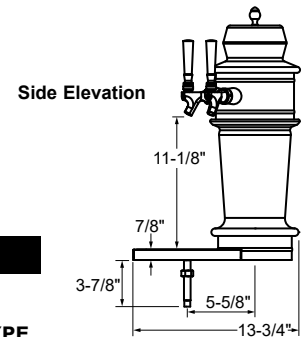
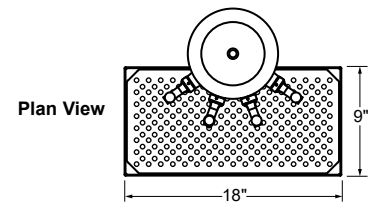




NOTE: To convert standard faucet to stout style faucet, specify accessory model number BT-CFG and add \$260 List per faucet.

\*NOTE: Monaco Towers are manufactured to order and are not returnable.  
 \*\*NOTE: Brass finish towers provided with mirror finish drain pan and brass finish perforated insert

MCT-2-PB  
 (handles not included)



**MONACO TOWERS WITH DRAIN PAN AND 72" RESTRICTION LINES**

MIRROR FINISH		POLISHED BRASS FINISH**		FAUCETS	WGT	WIDTH	SYSTEM TYPE
MODEL	LIST	MODEL	LIST				
MCT-2-MF	\$6,708	MCT-2-PB	\$6,796	2	48#	18"	Air Cooled
MCT-2-MFR	\$6,861	MCT-2-PBR	\$6,948	2	48#	18"	Glycol
MCT-3-MF	\$7,662	MCT-3-PB	\$7,774	3	48#	18"	Air Cooled
MCT-3-MFR	\$7,812	MCT-3-PBR	\$7,924	3	48#	18"	Glycol
MCT-4-MF	\$7,962	MCT-4-PB	\$8,072	4	48#	18"	Air Cooled
MCT-4-MFR	\$8,332	MCT-4-PBR	\$8,444	4	48#	18"	Glycol

**PRODUCT INFORMATION** (see MCT Spec Sheet for complete details)

**STANDARD FEATURES**

- 1/4" stainless steel shanks with 3/16" restriction lines
- All stainless steel faucets
- Surface-mount, stainless steel drain pan with removable, perforated insert

**Configurable Options**

- 2, 3, or 4 faucets
- Mirror or polished brass finish
- Air cooled for direct-draw system or glycol cooled for recirculating system
- Numerous ceramic color finishes; consult factory for details
- Rinser faucet extension to the left or right of the drain pan; specify RFE option

**RINSER FAUCET EXTENSION**

Monaco tower drain pans can be manufactured with rinser faucet extensions to the left or right of the drain pan. A rinser faucet extension will add 5" to the overall length of the drain pan. Add the RFE upcharge when placing your order.

NOTE: Rinser faucets not intended for use with towers mounted to a refrigerator due to risk of water line freeze up.

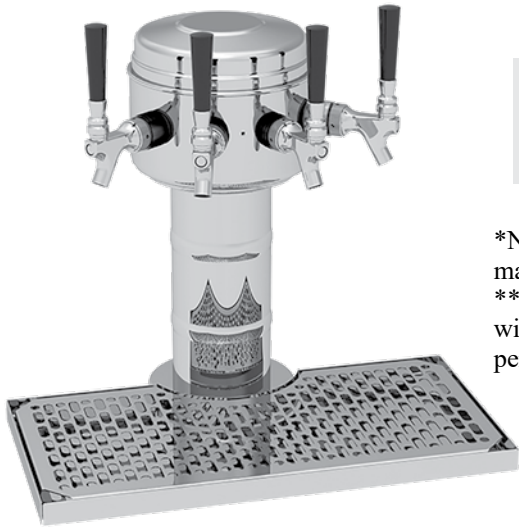
Rinser faucet installation notes:

- Important: Unit must be installed in conformance with applicable federal, state, and local plumbing codes, including adequate backflow when required.
- Must install backflow prevention device conforming to ANSI/ASSE 1022 or ANSI/ASSE 1024 to meet plumbing code (not included).
- Install in-line water regulator (included).
- A separate shut-off valve is recommended (not included).

MODEL	DESCRIPTION	LIST
RFE	Rinser faucet extension	\$691



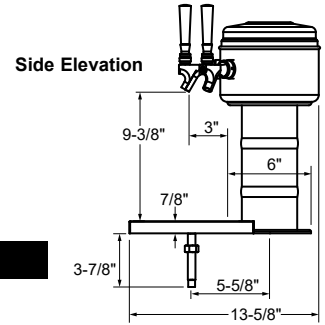
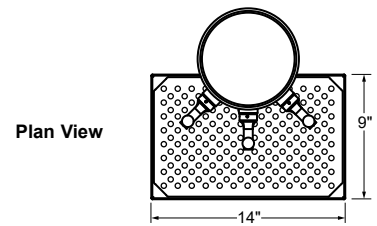
Beverage Dispensing



NOTE: To convert standard faucet to stout style faucet, specify accessory model number BT-CFG and add \$260 List per faucet.

\*NOTE: Mini Mushroom Towers are manufactured to order and are not returnable.  
 \*\*NOTE: Brass finish towers provided with mirror finish drain pan and brass finish perforated insert

MMT-4-MF  
(handles not included)



## MINI MUSHROOM TOWERS WITH DRAIN PAN AND 72" RESTRICTION LINES

MIRROR FINISH		POLISHED BRASS FINISH**		FAUCETS	WGT	WIDTH	SYSTEM TYPE
MODEL	LIST	MODEL	LIST				
MMT-3-MF	\$5,615	MMT-3-PB	\$6,224	3	26#	14"	Air Cooled
MMT-3-MFR	\$6,064	MMT-3-PBR	\$6,875	3	26#	14"	Glycol
MMT-4-MF	\$6,033	MMT-4-PB	\$6,561	4	26#	14"	Air Cooled
MMT-4-MFR	\$6,546	MMT-4-PBR	\$7,106	4	26#	14"	Glycol
MMT-5-MF	\$6,515	MMT-5-PB	\$7,063	5	26#	14"	Air Cooled
MMT-5-MFR	\$7,027	MMT-5-PBR	\$7,802	5	26#	14"	Glycol

### PRODUCT INFORMATION (see MMT Spec Sheet for complete details)

#### STANDARD FEATURES

- 1/4" stainless steel shanks with 3/16" restriction lines
- All stainless steel faucets
- Surface-mount, stainless steel drain pan with removable, perforated insert

#### Configurable Options

- 3, 4, or 5 faucets
- Mirror or polished brass finish
- Air cooled for direct-draw system or glycol cooled for recirculating system
- Rinser faucet extension to the left or right of the drain pan; specify RFE option

### RINSER FAUCET EXTENSION

Mini Mushroom tower drain pans can be manufactured with rinser faucet extensions to the left or right of the drain pan. A rinser faucet extension will add 5" to the overall length of the drain pan. Add the RFE upcharge when placing your order.

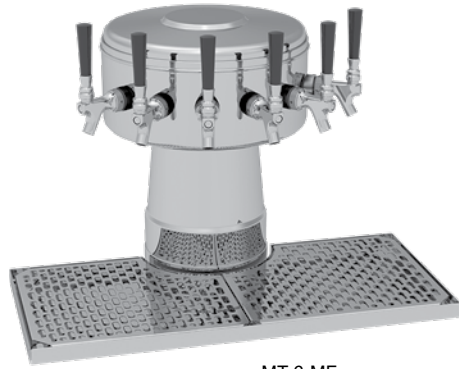
NOTE: Rinser faucets not intended for use with towers mounted to a refrigerator due to risk of water line freeze up.

#### Rinser faucet installation notes:

- Important: Unit must be installed in conformance with applicable federal, state, and local plumbing codes, including adequate backflow when required.
- Must install backflow prevention device conforming to ANSI/ASSE 1022 or ANSI/ASSE 1024 to meet plumbing code (not included).
- Install in-line water regulator (included).
- A separate shut-off valve is recommended (not included).

MODEL	DESCRIPTION	LIST
RFE	Rinser faucet extension	\$691

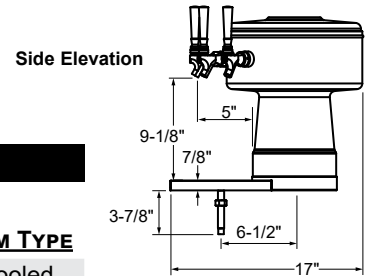
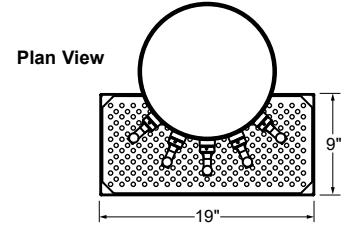




MT-6-MF  
(handles not included)

NOTE: To convert standard faucet to stout style faucet, specify accessory model number BT-CFG and add \$260 List per faucet.

\*NOTE: Mushroom Towers are manufactured to order and are not returnable.  
\*\*NOTE: Brass finish towers provided with mirror finish drain pan and brass finish perforated insert



**MUSHROOM TOWERS WITH DRAIN PAN AND 7/2" RESTRICTION LINES**

MIRROR FINISH		POLISHED BRASS FINISH**		FAUCETS	WGT	WIDTH	SYSTEM TYPE
MODEL	LIST	MODEL	LIST				
MT-4-MF	\$6,762	MT-4-PB	\$8,134	4	37#	19"	Air Cooled
MT-4-MFR	\$8,314	MT-4-PBR	\$8,435	4	37#	19"	Glycol
MT-5-MF	\$7,045	MT-5-PB	\$8,544	5	37#	19"	Air Cooled
MT-5-MFR	\$7,452	MT-5-PBR	\$8,978	5	37#	19"	Glycol
MT-6-MF	\$7,482	MT-6-PB	\$9,449	6	37#	19"	Air Cooled
MT-6-MFR	\$8,018	MT-6-PBR	\$10,017	6	37#	19"	Glycol

**PRODUCT INFORMATION** (see MT Spec Sheet for complete details)

**STANDARD FEATURES**

- 1/4" stainless steel shanks with 3/16" restriction lines
- All stainless steel faucets
- Surface-mount, stainless steel drain pan with removable, perforated insert

**Configurable Options**

- 4, 5, or 6 faucets
- Mirror or polished brass finish
- Air cooled for direct-draw system or glycol cooled for recirculating system
- Rinsers faucet extension to the left or right of the drain pan; specify RFE option

**RINSER FAUCET EXTENSION**

Mushroom tower drain pans can be manufactured with rinsers faucet extensions to the left or right of the drain pan. A rinsers faucet extension will add 5" to the overall length of the drain pan. Add the RFE upcharge when placing your order.

NOTE: Rinsers faucets not intended for use with towers mounted to a refrigerator due to risk of water line freeze up.

**Rinsers faucet installation notes:**

- Important: Unit must be installed in conformance with applicable federal, state, and local plumbing codes, including adequate backflow when required.
- Must install backflow prevention device conforming to ANSI/ASSE 1022 or ANSI/ASSE 1024 to meet plumbing code (not included).
- Install in-line water regulator (included).
- A separate shut-off valve is recommended (not included).

MODEL	DESCRIPTION	LIST
RFE	Rinsers faucet extension	\$691



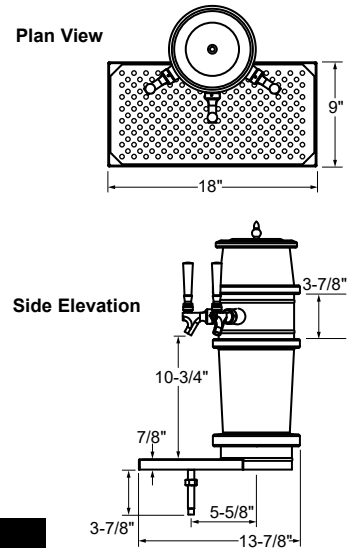
Beverage Dispensing



RBT-3-MF  
(handles not included)

NOTE: To convert standard faucet to stout style faucet, specify accessory model number BT-CFG and add \$260 List per faucet.

\*NOTE: Roman Towers are manufactured to order and are not returnable.  
\*\*NOTE: Brass finish towers provided with mirror finish drain pan and brass finish perforated insert



**ROMAN TOWERS WITH DRAIN PAN AND 72" RESTRICTION LINES**

MIRROR FINISH		POLISHED BRASS FINISH**		FAUCETS	WGT	WIDTH	SYSTEM TYPE
MODEL	LIST	MODEL	LIST				
RBT-2-MF	\$6,708	RBT-2-PB	\$6,796	2	48#	18"	Air Cooled
RBT-2-MFR	\$6,861	RBT-2-PBR	\$6,948	2	48#	18"	Glycol
RBT-3-MF	\$7,662	RBT-3-PB	\$7,774	3	48#	18"	Air Cooled
RBT-3-MFR	\$7,812	RBT-3-PBR	\$7,924	3	48#	18"	Glycol
RBT-4-MF	\$7,962	RBT-4-PB	\$8,072	4	48#	18"	Air Cooled
RBT-4-MFR	\$8,332	RBT-4-PBR	\$8,444	4	48#	18"	Glycol

**PRODUCT INFORMATION** (see RBT Spec Sheet for complete details)

**STANDARD FEATURES**

- 1/4" stainless steel shanks with 3/16" restriction lines
- All stainless steel faucets
- Surface-mount, stainless steel drain pan with removable, perforated insert

**Configurable Options**

- 2, 3, or 4 faucets
- Mirror or polished brass finish
- Air cooled for direct-draw system or glycol cooled for recirculating system
- Numerous ceramic color finishes; consult factory for details
- Rinser faucet extension to the left or right of the drain pan; specify RFE option

**RINSER FAUCET EXTENSION**

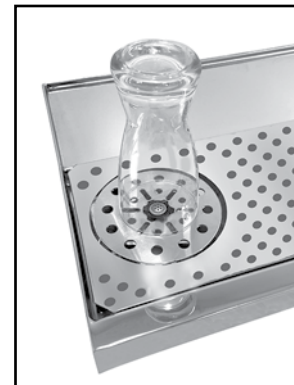
Roman tower drain pans can be manufactured with rinser faucet extensions to the left or right of the drain pan. A rinser faucet extension will add 5" to the overall length of the drain pan. Add the RFE upcharge when placing your order.

NOTE: Rinser faucets not intended for use with towers mounted to a refrigerator due to risk of water line freeze up.

Rinser faucet installation notes:

- Important: Unit must be installed in conformance with applicable federal, state, and local plumbing codes, including adequate backflow when required.
- Must install backflow prevention device conforming to ANSI/ASSE 1022 or ANSI/ASSE 1024 to meet plumbing code (not included).
- Install in-line water regulator (included).
- A separate shut-off valve is recommended (not included).

MODEL	DESCRIPTION	LIST
RFE	Rinser faucet extension	\$691

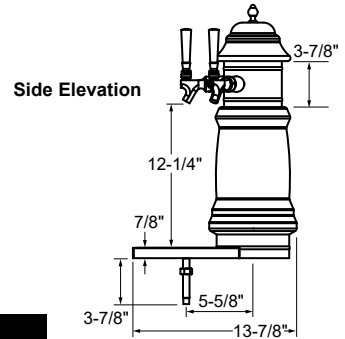
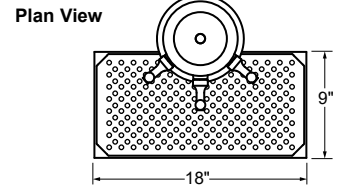




NOTE: To convert standard faucet to stout style faucet, specify accessory model number BT-CFG and add \$260 List per faucet.

\*NOTE: Rembrandt Towers are manufactured to order and are not returnable.  
 \*\*NOTE: Brass finish towers provided with mirror finish drain pan and brass finish perforated insert

RCT-2-PB  
 (handles not included)



**REMBRANDT TOWERS WITH DRAIN PAN AND 7/2" RESTRICTION LINES**

MIRROR FINISH		POLISHED BRASS FINISH**		FAUCETS	WGT	WIDTH	SYSTEM TYPE
MODEL	LIST	MODEL	LIST				
RCT-2-MF	\$6,708	RCT-2-PB	\$6,796	2	48#	18"	Air Cooled
RCT-2-MFR	\$6,861	RCT-2-PBR	\$6,948	2	48#	18"	Glycol
RCT-3-MF	\$7,662	RCT-3-PB	\$7,774	3	48#	18"	Air Cooled
RCT-3-MFR	\$7,812	RCT-3-PBR	\$7,924	3	48#	18"	Glycol

**PRODUCT INFORMATION** (see RCT Spec Sheet for complete details)

**STANDARD FEATURES**

- 1/4" stainless steel shanks with 3/16" restriction lines
- All stainless steel faucets
- Surface-mount, stainless steel drain pan with removable, perforated insert

**Configurable Options**

- 2 or 3 faucets
- Mirror or polished brass finish
- Air cooled for direct-draw system or glycol cooled for recirculating system
- Numerous ceramic color finishes; consult factory for details
- Rinser faucet extension to the left or right of the drain pan; specify RFE option

**RINSER FAUCET EXTENSION**

Rembrandt tower drain pans can be manufactured with rinser faucet extensions to the left or right of the drain pan. A rinser faucet extension will add 5" to the overall length of the drain pan. Add the RFE upcharge when placing your order.

NOTE: Rinser faucets not intended for use with towers mounted to a refrigerator due to risk of water line freeze up.

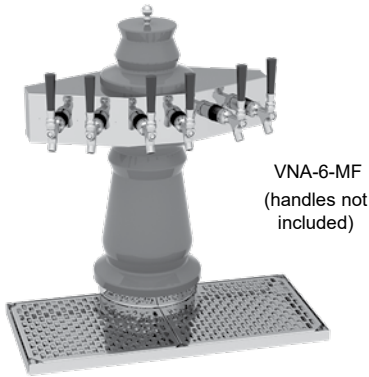
Rinser faucet installation notes:

- Important: Unit must be installed in conformance with applicable federal, state, and local plumbing codes, including adequate backflow when required.
- Must install backflow prevention device conforming to ANSI/ASSE 1022 or ANSI/ASSE 1024 to meet plumbing code (not included).
- Install in-line water regulator (included).
- A separate shut-off valve is recommended (not included).

MODEL	DESCRIPTION	LIST
RFE	Rinser faucet extension	\$691

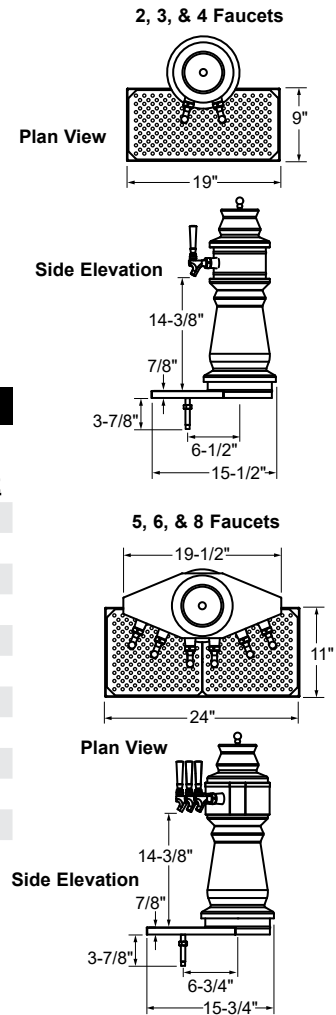






NOTE: To convert standard faucet to stout style faucet, specify accessory model number BT-CFG and add \$260 List per faucet.

\*NOTE: Vienna Towers are manufactured to order and are not returnable.  
 \*\*NOTE: Brass finish towers provided with mirror finish drain pan and brass finish perforated insert



**VIENNA TOWERS WITH DRAIN PAN AND 72" RESTRICTION LINES**

MIRROR FINISH		POLISHED BRASS FINISH**		FAUCETS	WGT	WIDTH	SYSTEM TYPE
MODEL	LIST	MODEL	LIST				
VNA-2-MF	\$6,728	VNA-2-PB	\$6,846	2	48#	19"	Air Cooled
VNA-2-MFR	\$6,881	VNA-2-PBR	\$6,998	2	48#	19"	Glycol
VNA-3-MF	\$7,667	VNA-3-PB	\$7,784	3	48#	19"	Air Cooled
VNA-3-MFR	\$7,817	VNA-3-PBR	\$7,934	3	48#	19"	Glycol
VNA-4-MF	\$7,965	VNA-4-PB	\$8,083	4	48#	19"	Air Cooled
VNA-4-MFR	\$8,337	VNA-4-PBR	\$8,454	4	48#	19"	Glycol
VNA-5-MF	\$10,377	VNA-5-PB	\$10,562	5	101#	24"	Air Cooled
VNA-5-MFR	\$10,747	VNA-5-PBR	\$10,931	5	101#	24"	Glycol
VNA-6-MF	\$11,153	VNA-6-PB	\$11,337	6	101#	24"	Air Cooled
VNA-6-MFR	\$11,555	VNA-6-PBR	\$11,740	6	101#	24"	Glycol
VNA-8-MF	\$12,517	VNA-8-PB	\$12,702	8	101#	24"	Air Cooled
VNA-8-MFR	\$12,888	VNA-8-PBR	\$13,072	8	101#	24"	Glycol

**PRODUCT INFORMATION** (see VNA Spec Sheet for complete details)

**STANDARD FEATURES**

- 1/4" stainless steel shanks with 3/16" restriction lines
- All stainless steel faucets
- Surface-mount, stainless steel drain pan with removable, perforated insert

**Configurable Options**

- 2, 3, 4, 5, 6, or 8 faucets
- Mirror or polished brass finish
- Air cooled for direct-draw system or glycol cooled for recirculating system
- Numerous ceramic color finishes; consult factory for details
- Rinser faucet extension to the left or right of the drain pan; specify RFE option

Beverage Dispensing

**RINSER FAUCET EXTENSION**

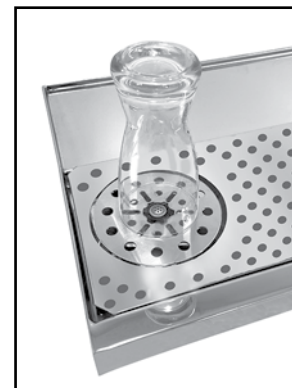
Vienna tower drain pans can be manufactured with rinser faucet extensions to the left or right of the drain pan. A rinser faucet extension will add 5" to the overall length of the drain pan. Add the RFE upcharge when placing your order.

NOTE: Rinser faucets not intended for use with towers mounted to a refrigerator due to risk of water line freeze up.

Rinset faucet installation notes:

- Important: Unit must be installed in conformance with applicable federal, state, and local plumbing codes, including adequate backflow when required.
- Must install backflow prevention device conforming to ANSI/ASSE 1022 or ANSI/ASSE 1024 to meet plumbing code (not included).
- Install in-line water regulator (included).
- A separate shut-off valve is recommended (not included).

MODEL	DESCRIPTION	LIST
RFE	Rinset faucet extension	\$691



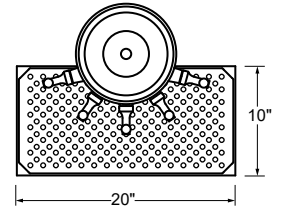


ZT-4-PB  
(handles not included)

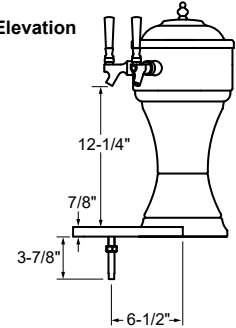
NOTE: To convert standard faucet to stout style faucet, specify accessory model number BT-CFG and add \$260 List per faucet.

\*NOTE: Zeus Towers are manufactured to order and are not returnable.  
\*\*NOTE: Brass finish towers provided with mirror finish drain pan and brass finish perforated insert

Plan View



Side Elevation



**ZEUS TOWERS WITH DRAIN PAN AND 7/2" RESTRICTION LINES**

MIRROR FINISH		POLISHED BRASS FINISH**		FAUCETS	WGT	WIDTH	SYSTEM TYPE
MODEL	LIST	MODEL	LIST				
ZT-3-MF	\$6,621	ZT-3-PB	\$6,758	3	48#	20"	Air Cooled
ZT-3-MFR	\$6,084	ZT-3-PBR	\$6,220	3	48#	20"	Glycol
ZT-4-MF	\$7,091	ZT-4-PB	\$7,226	4	48#	20"	Air Cooled
ZT-4-MFR	\$6,425	ZT-4-PBR	\$6,561	4	48#	20"	Glycol
ZT-5-MF	\$7,509	ZT-5-PB	\$7,645	5	101#	20"	Air Cooled
ZT-5-MFR	\$6,772	ZT-5-PBR	\$6,721	5	101#	20"	Glycol

**PRODUCT INFORMATION** (see ZT Spec Sheet for complete details)

**STANDARD FEATURES**

- 1/4" stainless steel shanks with 3/16" restriction lines
- All stainless steel faucets
- Surface-mount, stainless steel drain pan with removable, perforated insert

**Configurable Options**

- 3, 4, or 5 faucets
- Mirror or polished brass finish
- Air cooled for direct-draw system or glycol cooled for recirculating system
- Black, white, or green ceramic base color finishes
- Rinser faucet extension to the left or right of the drain pan; specify RFE option

**RINSER FAUCET EXTENSION**

Zeus tower drain pans can be manufactured with rinser faucet extensions to the left or right of the drain pan. A rinser faucet extension will add 5" to the overall length of the drain pan. Add the RFE upcharge when placing your order.

NOTE: Rinser faucets not intended for use with towers mounted to a refrigerator due to risk of water line freeze up.

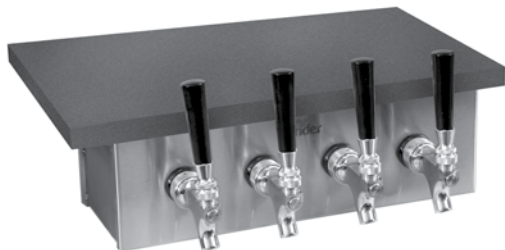
Rinser faucet installation notes:

- Important: Unit must be installed in conformance with applicable federal, state, and local plumbing codes, including adequate backflow when required.
- Must install backflow prevention device conforming to ANSI/ASSE 1022 or ANSI/ASSE 1024 to meet plumbing code (not included).
- Install in-line water regulator (included).
- A separate shut-off valve is recommended (not included).

MODEL	DESCRIPTION	LIST
RFE	Rinser faucet extension	\$691



**NOTE:** To convert standard faucet to stout style faucet, specify accessory model number BT-CFG and add \$260 List per faucet.



UC-4-SSR  
Shown attached to bar  
(Handles not included)



UC-5-SSR  
Shown installed under bar top  
with BDB-18 beer drainer



WT-12-SS  
(handles not included)

## PRODUCT INFORMATION

(see UC Spec Sheet for complete details)

**STANDARD FEATURES:** All stainless steel construction • 1/4" shanks with 3/16" restriction lines • Includes cold plate assembly and insulated restriction lines for glycol recirculating system • Includes all stainless steel faucets and shanks to resist corrosion and prevent metallic leaching, making them ideal for both draft beer and wine applications

### NOTES:

1. Installation of the undercounter tower requires a minimum bar top overhang of 7".
2. Undercounter towers do not include a drain pan. Glastender offers a free standing underbar beer drainer. See model numbers BDA or BDB for the main line (page 51) or C-BD for the Choice line (page 71).
3. The beverage and glycol lines exit the bottom of the tower and are rigid, so the undercounter tower must be installed prior to installing the beer drainer. The 8, 10, and 12 faucet models have two sets of lines exiting the bottom of the tower.

## STAINLESS STEEL UNDERCOUNTER TOWERS

MODEL	LIST	# OF FAUCETS	WT	WIDTH
UC-4-SSR	\$2,808	4	28#	14"
UC-5-SSR	\$3,328	5	30#	17"
UC-6-SSR	\$3,846	6	35#	20"
UC-8-SSR	\$5,038	8	50#	26"
UC-10-SSR	\$6,076	10	65#	32"
UC-12-SSR	\$7,109	12	80#	38"

## PRODUCT INFORMATION

(see WT Spec Sheet for complete details)

**STANDARD FEATURES:** All stainless steel construction • Integrated drain pan with lift-out perforated inserts • 1/4" shanks with 3/16" restriction lines • Available with cold plate assembly and insulated restriction lines for glycol recirculating system (specify suffix 'R' in the model number) • Built-in wall mounting bracket • Removable front cover for access to shanks • Includes all stainless steel faucets and shanks to resist corrosion and prevent metallic leaching, making them ideal for both draft beer and wine applications

## STAINLESS STEEL WALL MOUNT TOWERS

MODEL	LIST	# OF FAUCETS	WT	WIDTH
WT-4-SS	\$2,362	4	23#	14"
WT-4-SSR	\$3,128	4	31#	14"
WT-5-SS	\$2,809	5	27#	17"
WT-5-SSR	\$3,711	5	36#	17"
WT-6-SS	\$3,258	6	31#	20"
WT-6-SSR	\$4,299	6	41#	20"
WT-8-SS	\$4,153	8	39#	26"
WT-8-SSR	\$5,640	8	51#	26"
WT-10-SS	\$5,051	10	57#	32"
WT-10-SSR	\$6,809	10	71#	32"
WT-12-SS	\$5,951	12	65#	38"
WT-12-SSR	\$7,979	12	81#	38"

\*NOTE: Undercounter and Wall Mount Towers are manufactured to order and are not returnable



WB-6-N  
(handles not included)

NOTE: To convert standard faucet to stout style faucet, specify accessory model number BT-CFG and add \$260 List per faucet.

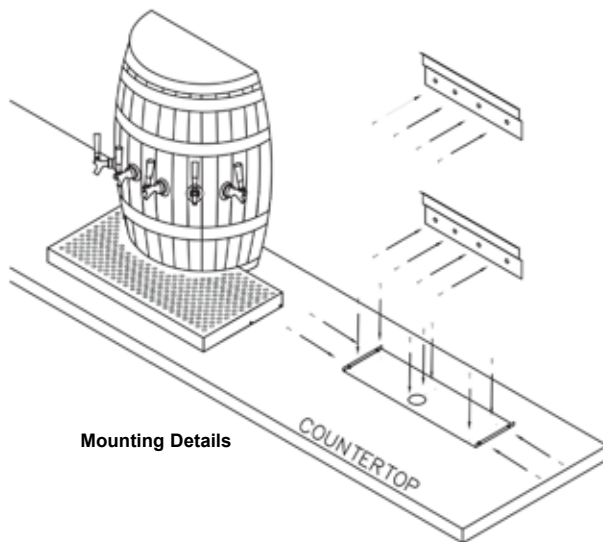
## PRODUCT INFORMATION

(see WB Spec Sheet for complete details)

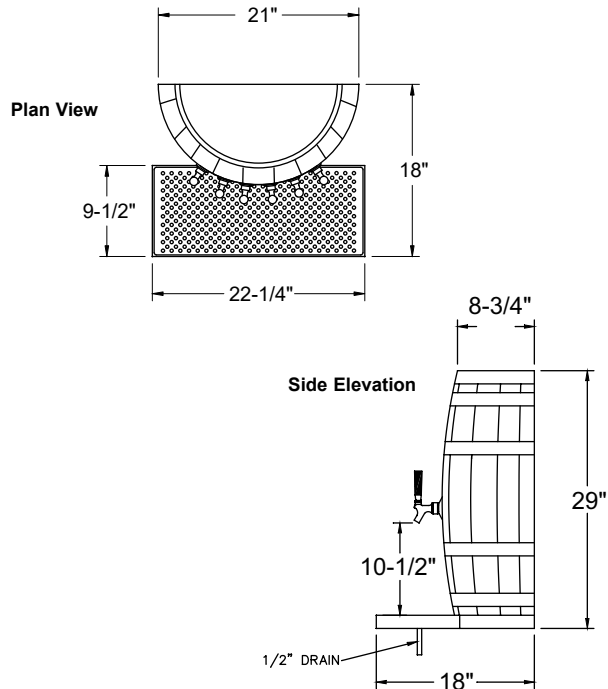
### STANDARD FEATURES

- Oak wood barrel construction
- Includes separate 300 series stainless steel surface mount drain pan with lift-out perforated inserts
- 1/4" shanks with 3/16" restriction lines
- Available in flat black or natural unfinished
- Available with cold plate assembly and insulated restriction lines for glycol recirculating system (specify suffix 'R' in the model number)
- Available in three through six faucet models
- Includes wall mounting brackets
- All stainless steel faucets and shanks to resist corrosion and prevent metallic leaching, making them ideal for both draft beer and wine applications

\*NOTE: Wood Barrel Towers are manufactured to order and are not returnable



Mounting Details



### WOOD BARREL TOWERS WITH DRAIN PAN AND 72" RESTRICTION LINES

FLAT BLACK	LIST	NATURAL WOOD	LIST	# OF FAUCETS	WGT
WB-3-B	\$3,923	WB-3-N	\$3,923	3	85#
WB-3-BR	\$4,903	WB-3-NR	\$4,903	3	85#
WB-4-B	\$4,298	WB-4-N	\$4,298	4	90#
WB-4-BR	\$5,279	WB-4-NR	\$5,279	4	90#
WB-5-B	\$4,673	WB-5-N	\$4,673	5	95#
WB-5-BR	\$5,792	WB-5-NR	\$5,792	5	95#
WB-6-B	\$5,048	WB-6-N	\$5,048	6	100#
WB-6-BR	\$6,302	WB-6-NR	\$6,302	6	100#

Beverage Dispensing

Glastender manufactures and diverse line of highly configurable kitchen fabrication products providing you with tailor-made solutions.



CAB-D  
18" D by 66" L Dish Cabinet with  
1" overhang and rounded nosing profile

**DISH CABINETS**

**PRODUCT INFORMATION**

(see CAB-D Spec Sheet for complete details)

All stainless steel construction including fixed mid-shelf and reinforcement channels. Available in lengths from 36" to 108" in one-half inch increments. Models 72" and longer have a center mullion.

**Top options include:** Depth - 15", or 18" • Front overhang - 1/4", 1", or 2" • Nosing profile - flat, or rounded

**Base options include:** Feet - bullet or flanged

**MODULAR BEVERAGE STATIONS**

**PRODUCT INFORMATION**

(see CAB-MBS Spec Sheet for complete details)

Modular beverage stations are configured and manufactured to your specific requirements. A complete lineup is designed by selecting from the top options and then specifying the module types and sizes to mount below the top. Stations ship complete in lengths up to 144".

**Top options include:** Depth - 24", 30", or 36" • Front overhang - 1/4", 1", or 2" • Nosing profile - flat, marine, or rounded • Backsplash - none, 5", or 10" • Endsplash - none, left, right, or both • Integrally welded drip trough • Electrical outlets in the backsplash

**Module options include:** Adjustable shelf • Drawer • Drop-in • Empty space • End wall • Fixed shelf • Glass rack • Open storage • Roll-out shelf • Sink • Urn stand



108" L by 30" D CAB-MBS  
Modules left to right: drop-in with solid  
apron, roll-out shelf, urn stand, and  
adjustable shelf with solid door

**WORK TABLE CABINETS**

**PRODUCT INFORMATION**

(see CAB-WT Spec Sheet for complete details)

All stainless steel construction including reinforcement channels. Available in lengths from 18" to 108". Models 63" and longer have a center wall.

**Top options include:** Depth - 24", 30", or 36" • Front overhang - 1/4", 1", or 2" • Nosing profile - flat, or rounded • Backsplash - none, upturn, 1" deep, or 2-1/4" deep

**Base options include:** Mid-shelf - none, fixed, or adjustable (models less than 63" long) • Doors - none or hinged • Feet - bullet or flanged



CAB-WT  
30" D by 54" L Work Table Cabinet with  
1/4" overhang, flat nosing profile and  
hinged doors



RCK-WS  
42" L Wall-Mount  
Sorting Rack

**WALL-MOUNT SORTING RACKS**

**PRODUCT INFORMATION**

(see RCK-WS Spec Sheet for complete details)  
Configurable Wall-Mount Sorting Racks deliver tailor-made solutions. All stainless steel construction.

**Options include:** Shelf length - 21", 42", 63", or 84"



SHF-PT  
24" D by 48" L Pass-  
Thru Shelf with rounded  
nosing (gusset bracket  
not shown)



SHF-W  
12" D by 24" L Wall-  
Mount Shelf with round-  
ed nosing profile

**PASS-THRU SHELVES**

**PRODUCT INFORMATION**

(see SHF-PT Spec Sheet for complete details)

Brackets are field mounted and allow for variations in wall thickness. Available in 18" or 24" depths and lengths from 36" to 144" in one-half inch increments. 18" deep units ship with "L" brackets, 24" units ship with gusset brackets.

**Top options include:** Nosing - flat or rounded • Overshelf - with or without • Overshelf structure - standard or heater mountable • Overshelf height - from 12" to 18"

**WALL-MOUNT SHELVES**

**PRODUCT INFORMATION**

(see SHF-W Spec Sheet for complete details)

All stainless steel construction. Units available in lengths from 24" to 144" in one-half inch increments. Units 72" and longer have (3) support brackets.

**Top options include:** Nosing - flat or rounded • Top depth - from 10", 12", 15" or 18"



SHF-WM  
18" D by 24" L Wall-Mount  
Microwave Shelf



SHF-WP  
12" D by 36" L Wall-Mount Shelf with Pot  
Rack and flat nosing profile

**WALL-MOUNT MICROWAVE SHELVES**

**PRODUCT INFORMATION**

(see SHF-WM Spec Sheet for complete details)

All stainless steel construction. Available in depths from 18" to 24" and lengths from 24" to 36".

**WALL-MOUNT SHELVES W/POT RACK**

**PRODUCT INFORMATION**

(see SHF-WP Spec Sheet for complete details)

All stainless steel construction. Units available in lengths from 24" to 144" in one-half inch increments. Units 72" and longer have (3) support brackets. Each shelf includes (1) double pot hook per foot.

**Top options include:** Nosing - flat or rounded • Top depth - 10", 12", 15" or 18"



**SNK-C**  
30" D by 102" L  
Compartment Sink with  
three 18" by 24" by 14"  
deep sink bowls and right  
and left drainboards.  
Faucet not provided.

**COMPARTMENT SINKS**

**PRODUCT INFORMATION**

(see SNK-C Spec Sheet for complete details)

One, two, three and four compartment models are available with or without drainboards. All stainless steel, TIG welded construction. Available in depths from 24" to 36" and lengths from 24" to 144" in one-half inch increments.

**Top options include:** Number of sink bowls - 1, 2, 3, or 4  
• Backsplash height - 7" to 13" • Drainboard - none, left, right, or both • Endsplash - none, left, right, or both • Sink bowl depth - 6" to 14"

**Base options include:** Legs - welded or knock down • Feet - bullet or flanged • Undershelf - welded, adjustable, or removable



**SNK-M**  
24" D by 24" L by 14" H Mop Sink  
with 20" by 20" by 10" deep sink bowl

**MOP SINKS**

**PRODUCT INFORMATION**

(see SNK-M Spec Sheet for complete details)

All stainless steel, TIG welded construction. Sink bowl depths available from 6" to 14" in one inch increments.



**STA-E**  
30" D by 37" L by 24" H  
Equipment Stand with  
adjustable undershelf

**EQUIPMENT STANDS**

**PRODUCT INFORMATION**

(see STA-E Spec Sheet for complete details)

All stainless steel construction including reinforcement channels. Available in depths from 18" to 36" and lengths from 18" to 96" in one-half inch increments.

**Top standards:** Flat nosing and 1-1/2" upturn edge on three sides

**Base Options include:** Undershelf - none, welded, or adjustable • Legs - welded or knock down • Feet - bullet, flanged, or casters • Height - 20" - 30"



**STA-M**  
30" D by 30" L by 24" H  
Mixer Stand with welded  
undershelf

**MIXER STANDS**

**PRODUCT INFORMATION**

(see STA-M Spec Sheet for complete details)

All stainless steel construction including reinforcement channels. Available in depths from 18" to 36" and lengths from 18" to 36" in one-half inch increments.

**Top options include:** Nosing profile - marine or inverted V

**Base options options include:** Undershelf - none, welded, or adjustable • Legs - welded or knock down • Feet - bullet, flanged, or casters • Height - 20" - 30"



TAB-CD  
30" D by 48" L straight,  
right, Clean Dish Table

**CLEAN DISH TABLES**

**PRODUCT INFORMATION**

(see TAB-CD Spec Sheet for complete details)

All stainless steel, TIG welded construction.

**Top options include:** Side - left or right • Style - straight, island, or corner • Endsplash - none, left, or right • Tubular overshelves • Custom notching to match dishwasher model

**Base options include:** Undershelf - none, welded, or adjustable • Legs - welded or knock down • Feet - bullet or flanged

**SOILED DISH TABLES**

**PRODUCT INFORMATION**

(see TAB-SD Spec Sheet for complete details)

All stainless steel, TIG welded construction.

**Top options include:** Side - left or right • Style - straight, island, corner, landing, or U-landing • Endsplash - none, left, or right • Tubular overshelves • Disposer cutouts • Scrap basket • Scrap block • Notching to fit dishwasher models

**Base options include:** Undershelf - none, welded, or adjustable • Legs - welded or knock down • Feet - bullet or flanged



TAB-SD  
30" D by 66" L straight, soiled, left dish table  
with 20" by 20" by 6" deep pre-rinse sink with  
removable scrap basket



TAB-W  
30" D by 72" L Work Table with  
welded undershelf, 15" by 20" drawer  
and 15" deep tiered overshelves

**WORK TABLES**

**PRODUCT INFORMATION**

(see TAB-W Spec Sheet for complete details)

All stainless steel construction including reinforcement channels. Available in depths from 18" to 36" and lengths from 18" to 144" in one-half inch increments.

**Top options include:** Nosing profile - flat, marine, or rounded • Backsplash - none, upturn, 1" deep, or 2-1/4" deep • Endsplash - none, left, right, or both • Overshelf - none, single, or tiered • Integrally-welded, fabricated sinks • Drop-in cutouts

**Base options include:** Undershelf - none, welded, or adjustable • Legs - welded or knock down • Feet - bullet, flanged, or casters • Drawers - none, single, or tiered



All faucets are certified low lead compliant



12" WIDE			12" WIDE WITH SKIRT			14" WIDE			14" WIDE WITH SKIRT		
MODEL	LIST	WGT	MODEL	LIST	WGT	MODEL	LIST	WGT	MODEL	LIST	WGT
WH-12*	\$1,064	22#	WHS-12*	\$1,325	27#	WH-14*	\$1,020	22#	WHS-14*	\$1,270	27#
WH-12-LF* (less faucet)	\$705	20#	WHS-12-LF* (less faucet)	\$964	25#	WH-14-LF* (less faucet)	\$700	20#	WHS-14-LF* (less faucet)	\$951	25#



14" WITH INTEGRATED SIDE SPLASHES			14" WITH INTEGRATED SIDE SPLASHES & SKIRT			14" WIDE WITH SOAP & PAPER TOWEL DISPENSERS		
MODEL	LIST	WGT	MODEL	LIST	WGT	MODEL	LIST	WGT
WH-14-S	\$1,489	27#	WHS-14-S	\$1,758	33#	WDH-14	\$1,832	37#
WH-14-S-LF (less faucet)	\$1,170	25#	WHS-14-S-LF (less faucet)	\$1,439	31#	WDH-14-LF (less faucet)	\$1,512	35#

### 14" EXTENDED SPLASH W/ SOAP & TOWEL DISPENSER

MODEL	LIST	WGT
WH-14-ESD*	\$1,642	37#
WH-14-ESD-LF* (less faucet)	\$1,321	35#

\*NOTE: These items are manufactured to order and are not returnable

Optional foot-operated faucets  
 FOF-B FOF-D  
 • WH-12 • WH-14 • WHS-14-S  
 • WHS-12 • WHS-14 • WDH-14  
 • WH-14-S • WH-14-ESD



### PRODUCT INFORMATION

(see WH, WH-S, WDH, & WH-ESD Spec Sheets for complete details)  
**STANDARD FEATURES:** Manufactured with total welded construction to meet all NSF® standards • All stainless steel construction • 9-1/4" by 11-1/2" by 6" deep sink bowl • Includes wall-mounting bracket • Includes 1-1/2" IPS drain fitting • Heavy-duty faucet is standard (available less faucet by adding the suffix '-LF' to the model number) • Models WH-12 and WHS-12 include a special backsplash faucet-mounting bracket for easy removal and inspection of faucet after installation • Models WH-14-S and WHS-14-S include integral left and right side splashes, featuring radius work surface corners for easy cleaning and a front lip to contain splashes • Model WDH-14 includes built-in soap and C-fold paper towel dispensers • Model WH-14-ESD includes a 1" deep recessed work surface with extra tall backsplash to contain splashes, and soap and paper towel dispenser

**⚠ WARNING:** The plastic wet waste strainer included with this product can expose you to chemicals including Bisphenol A (BPA), which is known to the State of California to cause birth defects or other reproductive harm. For more information, go to [www.P65Warnings.ca.gov](http://www.P65Warnings.ca.gov).  
**Warning applies to State of California only. Part #03000483**

### CONFIGURABLE OPTIONS

MODEL	DESCRIPTION	LIST	WGT
LS15	15" deep left side splash	\$171	1#
RS15	15" deep right side splash	\$171	1#
FOF-B	Convert to foot-operated backsplash faucet for WH-12 and WHS-12 models	\$633	3#
FOF-D	Convert to foot-operated deck faucet for WH-14, WHS-14, WH-14-S, WHS-14-S, WDH-14 and WH-14-ESD models	\$483	3#

### ACCESSORIES

MODEL	DESCRIPTION	LIST	WGT
03000512	P-trap, 17 ga. chrome plated steel	\$97	2#
03000511	Wrist handles (set of two)	\$54	2#
03000483	Wet waste sink strainer	\$63	1#
TD-C	Paper towel dispenser, C-fold	\$307	5#

All faucets are certified low lead compliant



DI-HS12



DI-HS14

**DROP-IN HAND SINKS**

MODEL	LIST	LENGTH	DEPTH	WGT	FAUCET
DI-HS12	\$839	12"	17"	18#	Yes
DI-HS12-LF	\$519	12"	17"	15#	No
DI-HS14	\$839	14"	15"	18#	Yes
DI-HS14-LF	\$519	14"	15"	15#	No

**PRODUCT INFORMATION**

(see DI-HS, DI-I, and DI-IB Spec Sheets for complete details)

**STANDARD FEATURES:** All stainless steel construction • Includes four 1/4-20 x 1-1/2" studs for mounting to countertop • DI-IB24 and DI-IB30 feature special angle brackets, U-channels, and mounting bolts for easy installation)

**SINK FEATURES:** 9-1/4" by 11-1/2" by 6" deep sink bowl • Includes 1-1/2" IPS drain fitting

**ICE BIN FEATURES:** PVC plastic breaker strip around ice bin liner: creates 5/16" raised edge around liner (NSF® requirement is 3/16"), acts as thermal barrier to prevent heat transfer, and makes the cover slide easier • Sliding stainless steel cover • Foamed-in-place insulation • Galvanized steel exterior wrap • 24" and 30" models available with 10 circuit cold plate • Models without cold plates have a 1-1/2" welded tailpiece - no drain fitting to break or come loose • 10-1/2" deep liner • Manufactured with total welded construction to meet all NSF® standards

**⚠ WARNING:** The plastic wet waste strainer included with this product can expose you to chemicals including Bisphenol A (BPA), which is known to the State of California to cause birth defects or other reproductive harm. For more information, go to [www.P65Warnings.ca.gov](http://www.P65Warnings.ca.gov). Part #03000483  
**Warning applies to State of California only.**



DI-IS24



DI-IW24

**DROP-IN ICE AND SINK UNITS**

MODEL	LIST	L	D	WGT	FAUCET
DI-IS24	\$2,369	24"	19"	55#	Yes
DI-IS24-LF	\$2,049	24"	19"	52#	No

**DROP-IN ICE AND WATER STATION UNITS**

MODEL	LIST	L	D	WGT	FAUCET
DI-IW24	\$2,586	24"	19"	55#	Yes
DI-IW24-LF	\$2,165	24"	19"	52#	No



DI-IB24-CP10



DI-IB18

**DROP-IN ICE BINS**

MODEL	LIST	LENGTH	DEPTH	COLD PLATE	WGT	ICE CAPACITY
DI-IB12	\$1,713	14"	19"	No	50#	33#
DI-IB18	\$1,916	20"	19"	No	60#	50#
DI-IB24	\$2,206	26"	19"	No	70#	71#
DI-IB30	\$2,438	32"	19"	No	80#	89#
DI-IB24-CP10	\$4,158	26"	19"	Yes	140#	71#
DI-IB30-CP10	\$4,399	32"	19"	Yes	150#	89#

**ACCESSORIES**

MODEL	DESCRIPTION	LIST	WGT
03000512	P-trap, 17 ga. chrome plated steel	\$97	2#
03000511	Wrist handles (set of two)	\$54	2#
03000483	Wet waste sink strainer	\$63	1#

**Counter Cut-Out Dimensions**

DI-IB12 = 17-1/2" by 12-1/2"  
 DI-IB18 = 17-1/2" by 18-1/2"  
 DI-IB24 = 17-1/2" by 24-1/2"  
 DI-IB30 = 17-1/2" by 30-1/2"  
 All other models, reference spec sheet

Kitchen Fabrication & Refrigeration



**PRODUCT INFORMATION**

(see LC Spec Sheet for complete details)

**STANDARD FEATURES:**

- Self-contained forced air refrigeration system for uniform cooling of product
- Automatic condensate evaporator
- Digital thermostat with automatic defrost
- All stainless steel interior construction
- Stainless steel foamed-in-place insulated door and lettuce chute
- Stainless exterior construction with galvanized back and bottom
- Removable plastic lettuce bin and divider included
- Removable condenser air inlet filter for easy cleaning
- Bracket for wall mounting
- 4" adjustable legs available
- Nine-foot grounded cord & plug provided
- Listed to NSF standard 7 for open food as a storage refrigerator

**CAPACITY:** Approx. 50 heads of lettuce (shredded)

**ELECTRICAL:** 120V, 1 phase, 60Hz, 2.5 full load amps. Dedicated 15 amp circuit is required.

**REFRIGERATION:** 1/8 HP, R290 refrigerant, 1,023 BTU/hr heat rejection

**PLUMBING:** Automatic condensate evaporator. No drain connection required.



LC-BIN lettuce bin with LC-BDIV bin divider

**LETTUCE CRISPER**

MODEL	DESCRIPTION	LIST	WGT
LC	24" Lettuce Crisper with plastic bin, stainless bin divider, & wall-mounting bracket	\$6,369	185#

**ACCESSORIES**

MODEL	DESCRIPTION	LIST	WGT
LC-BIN	Plastic lettuce bin (additional)	\$361	15#
LC-BDIV	Lettuce bin divider, stainless steel (additional)	\$120	5#
LCLS	4" legs with adjustable flanged feet	\$269	5#
CE-220/50S	Convert self-contained unit to 220V/50Hz electrical	\$279	N/A



CM24XS-RR

\*NOTE: Countertop Merchandisers are manufactured to order and are not returnable

**PRODUCT INFORMATION**

(see CM Spec Sheet for complete details)

**STANDARD FEATURES:** Self-contained forced air refrigeration system for uniform cooling of product • Automatic condensate evaporator • Digital thermostat with automatic defrost • All stainless steel interior construction • Stainless steel exterior construction with galvanized steel bottom • Removable condenser air inlet filter for easy cleaning • Nine-foot grounded cord & plug provided • Available with stainless steel door or glass door with stainless steel frame • Two adjustable coated shelves • Interior LED light included • Listed to NSF standard 7 for open food as a storage refrigerator

**CAPACITY:** 4.7 cu. ft.

**ELECTRICAL:** 120V, 1 phase, 60Hz, 2.5 full load amps. Dedicated 15 amp circuit is required

**REFRIGERATION:** 1/8 HP, R290 refrigerant

**PLUMBING:** Automatic condensate evaporator. No drain connection required.

**COUNTERTOP MERCHANDISER**

Standard List = \$6,834

Weight = 190#

CM24 -

**Door Style:**

SS = Stainless Front and Back Door

SX = Stainless Front and Glass Back Door - Add \$508

XS = Glass Front and Stainless Back Door - Add \$508

XX = Glass Front and Glass Back Door - Add \$1,016

**Rear Door Hinge Location:**

L = Left or R = Right

**Front Door Hinge Location:**

L = Left or R = Right

**ACCESSORIES**

MODEL	DESCRIPTION	LIST	WGT
LCLS	4" legs with adjustable flanged feet	\$269	5#
CE-220/50S	Convert self-contained unit to 220V/50Hz electrical	\$279	N/A

Wall-Mount Refrigerators



WMR24S-R

**PRODUCT INFORMATION**

(see WMR Spec Sheet for complete details)

**STANDARD FEATURES:** Self-contained forced air refrigeration system for uniform cooling of product • Automatic condensate evaporator • Digital thermostat with automatic defrost • All stainless steel interior construction • Stainless exterior construction with galvanized back and bottom • Available with stainless steel door or glass door with stainless steel frame • Two adjustable coated shelves • Removable condenser air inlet filter for easy cleaning • Bracket for wall mounting • Nine-foot grounded cord & plug provided • Interior LED light included • Listed to NSF standard 7 for open food as a storage refrigerator

**CAPACITY:** 3.9 cu. ft.

**ELECTRICAL:** 120V, 1 phase, 60Hz, 2.5 full load amps. Dedicated 15 amp circuit is required.

**REFRIGERATION:** 1/8 HP, R290 refrigerant

**PLUMBING:** Automatic condensate evaporator. No drain connection required.

**WALL-MOUNT REFRIGERATORS**

MODEL	LIST	DOOR STYLES	HINGE	WGT
WMR24S-L	\$5,929	Stainless	Left	165#
WMR24S-R	\$5,929	Stainless	Right	165#
WMR24X-L	\$6,440	Glass	Left	165#
WMR24X-R	\$6,440	Glass	Right	165#

**ACCESSORIES**

MODEL	DESCRIPTION	LIST	WGT
LCLS	4" legs with adjustable flanged feet	\$269	5#
CE-220/50S	Convert self-contained unit to 220V/50Hz electrical	\$279	N/A

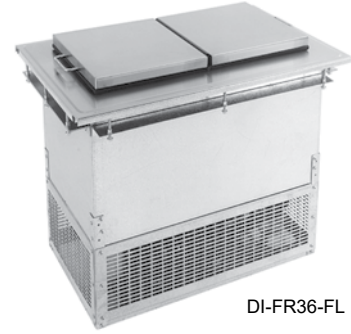
**All faucets are certified low lead compliant**



DI-FR-DW



DI-FR36



DI-FR36-FL

### DROP-IN ICE CREAM FREEZERS

MODEL	LIST	DIPPER WELL	WGT
DI-FR	\$4,048	No	115#
DI-FR-DW	\$4,913	Yes	120#
DI-FR36	\$4,917	No	135#
DI-FR36-DW*	\$5,782	Yes	150#

### DROP-IN ICE CREAM FREEZERS WITH FLIP LID

MODEL	LIST	DIPPER WELL	WGT
DI-FR36-FL	\$5,034	No	135#
DI-FR36-DW-FL*	\$5,901	Yes	150#

### ACCESSORIES

MODEL	DESCRIPTION	LIST
CE-220/50S	Convert self-contained unit to 220V/50Hz electrical	\$279

### PRODUCT INFORMATION

(see DI-FR Spec Sheet for complete details)

**STANDARD FEATURES:** Stainless steel work surface, interior liner, and lid with galvanized steel exterior wrap • Foamed-in-place insulation • Available with built-in seamless welded 6" diameter draining dipper well and faucet • Eight-foot grounded cord and plug provided • Available sizes for one or two 3-gallon container capacity • Includes special angle brackets, U-channels, and mounting bolts for easy installation

**ELECTRICAL:** 120V, 1 phase, 60 Hz, 3.5 full load amps • Dedicated 15 amp circuit is recommended • Includes 8-foot grounded cord and plug

**REFRIGERATION:** Operating range -5°F to 10°F • 1/4 HP, 0.06 Ton, R290 100g (3.53 oz) refrigerant

**CAPACITY:** DI-FR models hold one 3-gallon container • DI-FR36 models hold two 3-gallon containers

\*NOTE: These items are manufactured to order and are not returnable

# Mobile Ice Cream Freezer\*

Pricing effective June 1, 2022

### PRODUCT INFORMATION

(see FRM Spec Sheet for complete details)

**STANDARD FEATURES:** All stainless steel exterior with 16 gauge galvanized exterior bottom • Completely integrated design - not just a cabinet with separate drop-in module • All stainless steel interior liner with radius corners for easy cleaning • One-piece, seamless top • 36-3/8" high work surface • Includes four 4-1/8" casters, with two locking casters • Eight-foot grounded cord and plug provided, exits at rear • Designed to accommodate outlet behind unit and still sit flush against the wall • Holds two 3-gallon containers

**CAPACITY:** Two 3-gallon tubs

**ELECTRICAL:** 120V, 1 phase, 60Hz, 3.5 full load amps. Dedicated 15 amp circuit is required.

**REFRIGERATION:** 1/4 HP, 0.06 Ton, R290 100g (3.53 oz) refrigerant

### MOBILE ICE CREAM FREEZER

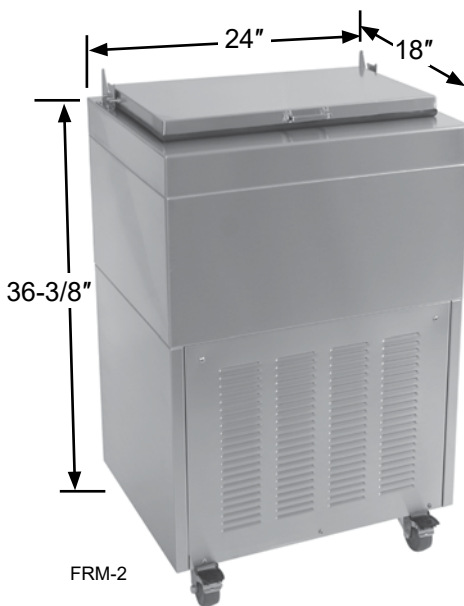
MODEL	CAPACITY	LIST	LENGTH	DEPTH	WEIGHT
FRM-2	Two 3-gallon tubs	\$6,537	24"	18"	150#

### ACCESSORIES

MODEL	DESCRIPTION	LIST
CE-220/50S	Convert self-contained unit to 220V/50Hz electrical	\$279

\*NOTE: Mobile Ice Cream Freezers are manufactured to order and are not returnable

Kitchen Fabrication & Refrigeration



FRM-2



MIB-36



MIB-36-H



MIB-36-ED

**30" HIGH MOBILE ICE BATHS**

MODEL	LENGTH	LIST	WGT
MIB-36	36"	\$4,685	170#
MIB-48	48"	\$5,221	205#

**36" HIGH MOBILE ICE BATHS**

MODEL	LENGTH	LIST	WGT
MIB-36-H	36"	\$4,786	180#
MIB-48-H	48"	\$5,461	215#

**36" HIGH EXTRA DEEP MOBILE ICE BATHS**

MODEL	LENGTH	LIST	WGT
MIB-36-ED	36"	\$5,094	200#
MIB-48-ED	48"	\$5,687	235#

**MOBILE ICE BIN ACCESSORIES**

MODEL	DESCRIPTION	LIST	WGT
TR	Towel Ring	\$23	1#
BO/CC-M	Bottle opener and cap catcher	\$97	3#



TR

Standard mounting for towel rings is server side left. Standard mounting for bottle opener/cap catcher is server side right. Please specify when ordering if you would like these items mounted in a different location.

**PRODUCT INFORMATION**

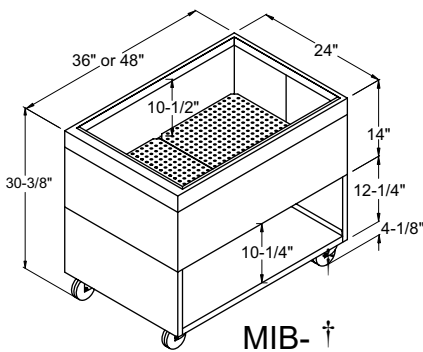
(see MIB Spec Sheet for complete details)

**STANDARD FEATURES**

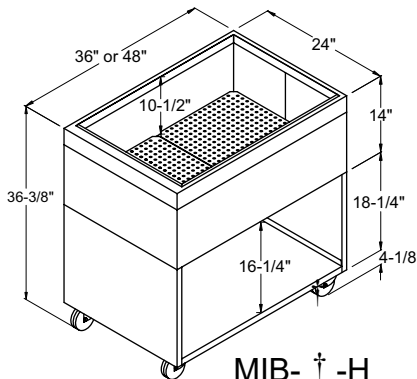
- Designed for iced product storage and merchandising, especially long neck bottled beer
- Foamed-in-place insulated cabinet and PVC breaker strip around liner prevents exterior condensation
- Heavy duty construction with attractive black vinyl-clad exterior that resists scratching
- Stainless steel top, liner, and perforated drain pan inserts with 1/4" radius interior corners for easy cleaning
- Built-in storage area below ice bin. Stainless steel floor has 1/4" radius corners for easy cleaning.
- No plumbing required. Includes a flexible drain line with on/off valve for draining when most convenient.
- The standard models have a 30-3/8" work height
- The '-H' models feature a taller cabinet base and a 36-38" work height
- The '-ED' models feature an extra deep bath and a 36-3/8" work height
- Standard and -H models liner depth 10-1/2"
- -ED model liner depth 16-1/2"
- All models available in lengths of 36" or 48"
- Optional towel ring and bottle opener/cap catcher available
- Flexible drain line with on/off valve
- 4-1/8" rubberized casters, with two locking casters on server side

\*NOTE: Mobile Ice Baths are manufactured to order and are not returnable

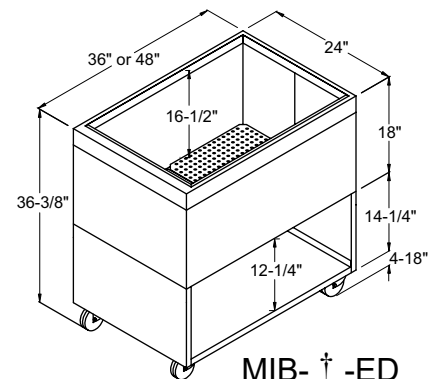
† 36 = 36", 48 = 48"



MIB-†



MIB-†-H



MIB-†-ED

Kitchen Fabrication & Refrigeration



The IB-14x22 as a food pan holder (pan not included)



The IB-14x22 as a portable ice display unit

\*NOTE: The IB-14x22 is manufactured to order and is not returnable

**PRODUCT INFORMATION**

(see IB-14x22 Spec Sheet for complete details)

**STANDARD FEATURES**

The IB-14x22 is an all stainless steel, foam-in-place insulated, portable ice bin that sits on a countertop • The exterior dimensions are 14" by 22" by 10" high and the interior liner opening is sized to hold one food pan • The IB-14x22 also works well as a countertop ice display unit and does not need to be used with a steam table pan • Since the IB-14x22 is portable, it does not have a drain

**ICE PAN HOLDER\***

MODEL	LIST	WEIGHT
IB-14x22	\$1,949	35#



IBM-18x30



IBM-18x30-E

**PRODUCT INFORMATION**

(see IBM Spec Sheet for complete details)

**STANDARD FEATURES**

The IBM-18x30 is an all stainless steel, foam-in-place insulated, mobile ice bin that is 18" by 30" by 30" high • The interior liner is 10-1/2" deep • A drain valve is provided for draining melted ice water • The IBM-18x30 works well as an ice bath for bottled beer or wine • Also available with enclosed base. Add suffix "-E" to model number

**MOBILE ICE BIN\***

MODEL	LIST	WEIGHT
IBM-18x30	\$3,406	100#
IBM-18x30-E	\$3,635	100#

\*NOTE: Mobile Ice Bins are manufactured to order and are not returnable

Wall Cabinets\*



WCH48



WCH36

**WALL CABINETS**

OPEN FRONT	LIST	HINGED DOORS	LIST	LENGTH	WGT
WCO24	\$1,740	WCH24	\$2,809	24"	100#
WCO30	\$1,956	WCH30	\$3,507	30"	120#
WCO36	\$2,151	WCH36	\$3,868	36"	140#
WCO42	\$2,350	WCH42	\$4,207	42"	160#
WCO48	\$2,547	WCH48	\$4,545	48"	180#
WCO60	\$3,906	WCH60	\$7,017	60"	220#
WCO72	\$4,302	WCH72	\$7,737	72"	250#
WCO96	\$5,096	WCH96	\$9,088	96"	310#

**PRODUCT INFORMATION**

(see WC Spec Sheet for complete details)

**STANDARD FEATURES:** Includes intermediate shelf • Includes wall-mounting bracket • Available with open front or with hinged doors • Door models include door locks and positive latch catch • Door models 24" - 48" have 2 doors, 60" - 96" have 4 doors • Sloping top creates sanitary surface • Four door models ship as two units and include hardware for field assembly

\*NOTE: Wall Cabinets are manufactured to order and are not returnable

# Index

## A

Add-on cabinet bases .....36, 73  
All-in-one stations..... 49-50

## B

Back bar  
Coolers\*..... 75-85, 87-118  
\*See Coolers for complete cooler listings  
Dry storage ..... 123-124  
Glass storage.....125  
Liquor display.....125  
Backsplash, glasswasher .....4  
Bar die, modular.....52, 74  
Bar, Portable..... 17-18  
Bar Profile Coolers ..... (see Coolers)  
Beer  
Accessories for cooler .....86  
Cooler..... (see Coolers)  
Drainer, underbar.....51, 71  
Line chiller ..... 127-128  
Towers ..... 129-144  
Beverage Stations, Modular.....145  
Blender stations  
Bolt-on blender shelves.....14, 28, 59  
Drainboard.....27  
Filler board .....59  
Island Oasis® stand.....46, 71  
Rinsers faucet.....27  
Sink .....27, 59  
Sink and rinsers faucet.....27  
Bolt-on blender shelves.....14, 28, 59  
Bottle  
Coolers..... (see Coolers)  
Opener and Cap Catcher.....117, 154  
Racks .....25, 54  
Wells .....25, 54  
Bottle Disintegration System ..... 1-2

## C

Cabinets  
Add-on base.....36  
Back bar, dry storage ..... 123-124  
Dish .....145  
Drainboard..... 34-35, 65  
POS .....36, 70  
Underbar ..... 34-36, 65, 67  
Wall .....155  
Work Table .....145  
Cap Catcher and Bottle Opener ..... 117, 154  
Casino Style Combo Ice Bin.....22  
CHOICE by Glastender Underbar ..... 53-74  
Clean Dish Tables .....148  
Clip-on  
Chemical rail (glasswasher) .....6  
Condiment dispenser .....12, 16  
Dry waste (cocktail station).....12, 14, 16  
Dry waste rail .....47, 72  
Shelf divider ..75, 77, 79, 81, 83, 89, 91,  
.....93, 95, 101, 103, 105  
Speed rails .....14, 16, 26  
Wet waste (glasswasher).....4, 8  
Cocktail stations  
Pass-thru .....9-16  
Underbar .....49-50  
Combo Ice Bins.....21, 55  
Compartment Sinks - kitchen.....147  
Compartment Sinks - underbar .....39, 69  
Condensing units and installation kits  
Remote units - DISCONTINUED.....  
.....79, 89, 93, 103, 107, 127  
Condensing unit storage cabinet .....126  
Condiment dispenser  
Pass-thru station .....12, 16, 20  
Underbar .....21, 22, 54, 55, 56  
Condiment drawer insert.....75, 81, 95

Countertop Merchandiser .....152  
Cooler miscellaneous .....126  
Coolers .....75-85, 87-118  
Bar profile.....75-76, 77-78, 79-80,  
.....81-82, 83-84, 85, 87-88, 89-90,  
.....101-102, 103-104, 109-110, 113-114  
Countertop merchandiser .....152  
Draft beverage compatible .....75-76,  
.....77-78, 79-80, 81-82, 83-84, 85  
Drawers .....75-76, 77-78, 81-82, 83-84,  
.....95-96, 109-110, 113-114, 115-116  
Front serviced.....75-76, 77-78, 87-88,  
.....91-92, 101-102, 105-106,  
.....109-110, 111-112  
High Profile .....97-100  
Keg ..... (see Coolers - Draft beverage  
compatible)  
Lettuce crisper .....151  
Low profile.....91-92, 93-94, 95-96,  
.....105-106, 107-108, 111-112, 115-116  
Mug froster, reach-in. 109-110, 111-112,  
.....113-114, 115-116  
Mug froster, slide top .....118  
One zone.....75-76, 79-80, 81-82,  
.....87-88, 89-90, 91-92, 93-94,  
.....95-96, 97-98, 101-102, 103-104,  
.....105-106, 107-108, 109-110,  
.....111-112, 113-114, 115-116  
Pass-thru ..... 101-102, 103-104, 105-106,  
.....107-108  
Remote.....79-80, 89-90, 93-94,  
.....103-104, 107-108  
Shallow depth.....87-88, 89-90  
Side serviced.....81-82, 83-84, 95-96,  
.....113-114, 115-116  
Slide top .....117  
Two zone .....77-78, 83-84, 99  
Wall mount refrigerator .....152  
Corner drainboards.....31-32, 62-63  
Countertop Merchandiser.....152  
Covers  
Back bar liquor display, locking .....125  
Speed rails, locking .....26, 73

## D

Direct draw beverage towers and acc .....86  
Dish Cabinet.....145  
Dish Tables  
Clean.....148  
Soiled.....148  
Dish rack .....6  
Double speed rails .....26, 73  
Drain pans, drop-in .....44  
Draft beverage compatible coolers .....  
..... (see Coolers)  
Drainboards  
Blender stations .....27  
Cabinets .....34-35, 65  
Corners .....31-32, 62-63  
Glassracks.....4, 33, 64  
Half cabinets.....35  
Recessed .....30, 60  
Underbar .....29, 61  
Drainers, beer .....51, 71  
Drawer inserts for fractional stainless pans ...  
.....81, 95, 109, 113  
Drawer units, drainboard .....35  
Drawers, cooler ..... (see Coolers)  
Drink Rails .....44  
Drop-in .....43  
Mixology, drop-in.....42  
Drop-in  
Drain pans.....44  
Drink rails .....43  
Hand sinks .....150  
Ice and sink units .....150

Ice and water stations .....150  
Ice bins .....150  
Ice cream freezers.....153  
Mixology drink rails .....42  
Mixology wells.....42  
Rinsers faucets .....43  
Dry storage cabinets..... 123-124  
Dry waste  
Chutes .....47, 72  
Clip-on, receptacle for pass-thru .....  
.....12, 14, 16  
Rail .....37, 39, 47, 72  
Receptacle .....4, 47, 67, 72

## E

Equipment Stands  
Blender stations .....27-28, 59  
Island Oasis .....46, 71  
Margarita Machine .....123  
POS cabinet .....36, 70  
Stands - Kitchen .....147  
End splash .....28, 37, 40, 149

## F

Filler boards (see also Drainboards)  
Blender station.....59  
Corner .....63  
Drainboard cabinets.....34-35 (see note)  
Drainboard drawer units....35 (see note)  
Underbar .....29 (see note), 60  
Four compartment sinks.....39, 69  
Freezer, ice cream .....48  
Drop-in, ice cream .....153  
Mobile, ice cream .....153  
Front serviced coolers ..... (see Coolers)  
Frosters (chillers)  
Reach-in..... 109-110, 111-112,  
.....113-114, 115-116  
Slide top.....118

## G

Glass ice display units.....119  
Glass storage, back bar .....125  
Glass washing station.....4  
Glassracks  
Drainboard.....4, 33, 64  
Holders (glasswasher) .....6  
Racks .....6  
Underbar, open .....33, 64  
Glasswashers  
Rotary .....3-6  
Rotary rack .....7-8  
Graphic wraps, portable bar .....18

## H

Half cabinets, drainboard .....35  
Hand sinks  
Drop-in .....150  
Underbar .....37-38  
Wall-mount .....149  
High Profile Coolers ..... (see Coolers)

## I

Ice and sink units, drop-in.....150  
Ice and water stations, drop-in .....150  
Ice baths, mobile .....154  
*I continued on following page*



# Index

*I continued*

Ice bins	
Casino Style Combo.....	22
Combo.....	21, 55
Dividers.....	12, 16, 20, 21, 54, 55, 56
Drop-in.....	150
Extra deep.....	19, 21, 54, 55
Ice and sink units.....	150
Ice and water stations.....	150
Mobile.....	155
Pass thru.....	20, 56
Specialty.....	155
Tubing chase.....	20, 21, 49
Underbar.....	19, 21, 22, 53, 54, 55
Ice cream freezer	
Drop-in.....	153
Mobile.....	153
Underbar.....	48
Ice display units.....	120
Ice pan holder.....	155
Island Oasis® stand.....	46, 71

## J

Jockey box.....	(see Ice bins)
-----------------	----------------

## K

Keg coolers.....	(see Coolers - Draft beverage compatible)
Kitchen Fabrication & Refrigeration ..	145-155

## L

Lettuce crisper.....	151
Lighted liquor displays.....	121-122
Line chiller	
Beer.....	127-128
Stands.....	128
Wall racks.....	128
Liquor displays	
Back bar.....	125
Lighted.....	121-122
Slanted.....	46
Liquor Steps.....	45, 70
Locking covers	
Back bar liquor display.....	125
Speed rail.....	26, 73
Low profile coolers.....	(see Coolers)
Low profile dry storage cabinets.....	123

## M

Margarita Machine Stand.....	125
Microwave Shelves, Wall-Mount.....	146
Mixer Stands.....	147
Mixology	
Bottle rack.....	25
Drink rails, drop-in.....	42
Stations.....	41
Units.....	40, 68
Wells, drop-in.....	42
Mobile ice bath.....	154
Mobile ice bin.....	155
Mobile ice cream freezer.....	153
Modular bar die.....	52, 74
Modular Beverage Stations.....	145
Mop Sinks.....	147
Mug frosters (chillers)	
Reach-in.....	109-110, 111-112, 113-114, 115-116
Slide top.....	118
Multiple bowl sinks.....	39, 69

## O

One zone coolers.....	(see Coolers)
Overshelves, cocktail stations.....	12, 14, 16

## P

POS cabinet stand.....	36, 70
Paper towel dispenser, sink.....	37, 38, 66, 149
Pass-thru cocktail stations.....	9-16
Pass-thru coolers.....	(see Coolers)
Pass-thru ice bins.....	20, 56
Pass-thru shelves.....	146
Portable bars.....	17-18
Portable bars graphic wraps.....	18
Pot Rack - Wall-Mount Shelves.....	146
Power pack, beer.....	127-128
Pull-Out Wine Shelves.....	76, 78, 80, 82, 84, 92, 94, 96

## R

Rack divider, glasswasher.....	4
Rack, pot.....	146
Rack, sorting.....	146
Reach-in mug froster.....	109-110, 111-112, 113-114, 115-116
Recessed drainboards.....	30, 60
Refrigerated Wine Drawers.....	(see Coolers)
Register stand, underbar, POS.....	36, 70
Regulators.....	86
Remote coolers.....	(see Coolers)
Rinser faucet	
Blender station.....	27
Drop-in.....	43
Mixology stations.....	41
Mixology units.....	40, 68
Undercounter mount.....	43
Rinser faucet extension (beer tower) ..	129-142
Rotary Wine Shelf.....	75, 77, 95

## S

Shallow depth coolers.....	(see Coolers)
Shelf divider, clip-on...75, 77, 79, 81, 83, 89, 91, 93, 95, 101, 103, 105, 107	
Shelf retention rail.....	75, 77, 79, 81, 93
Shelves	
Pass-Thru.....	146
Pull-Out.....	See Pull-Out Wine Shelves
Wall-Mount.....	146
Wall-Mount Microwave.....	146
Wall-Mount with Pot Rack.....	146
Side splash.....	28, 59, 60, 61, 64, 65, 66, 67, 68, 69, 149
Single speed rails.....	26, 73
Sinks	
Blender station.....	27, 59
Covers.....	39, 69
Cabinets.....	4, 38, 67
Compartment (kitchen).....	147
Compartment (underbar).....	39, 69
Drop-in.....	150
Hand.....	37-38, 66
Mop.....	147
Single bowl.....	37-38, 66
Towel ring.....	37, 39, 59, 66, 67, 69
Wall-mount.....	149
Wet waste.....	4, 37, 38, 66
Wet waste strainer.....	27, 37, 38, 39, 59, 66, 67, 69, 149, 150
Slanted liquor display.....	46
Slide top coolers.....	117
Slide top mug frosters.....	118
Slim Jim trash receptacle.....	47, 72
Sneeze guard.....	12, 16
Soap dispenser, liquid.....	37, 66
Soda gun holders.....	23, 57
Soda gun holder, undercounter mount.....	24, 58
Soda manifold housings.....	24, 58
Soiled Dish Tables.....	148
Sorting Rack, Wall-Mount.....	146
Spec sheets.....	specs.glastender.com

Specialty ice bins.....	155
Speed rails	
Clip-on.....	14, 16, 26
Double.....	26, 73
Locking covers.....	26, 73
Single.....	26, 73
Stemware	
Insert.....	6
Rack.....	8

## T

Three compartment sinks.....	39, 69
Towel ring.....	28, 37, 39, 59, 66, 67, 69
Towers, beer	
Black Forest.....	134
Braumeister.....	135
Bridge.....	131
Cobra.....	133
Column.....	129
Double-sided.....	132
Mini Mushroom.....	137
Monaco.....	136
Mushroom.....	138
Rembrandt.....	140
Rinse faucet extension.....	129-142
Roman.....	139
Tee.....	130
Undercounter.....	143
Vienna.....	141
Wall mount.....	143
Wood barrel.....	144
Zeus.....	142
Trash receptacle	
Gray plastic.....	4, 37, 47, 66, 67
Slim Jim.....	47, 72
Stainless steel.....	37, 47, 66, 67
Tubing chase	
Accessory, drainboard.....	29
All-in-one.....	49
Ice bin.....	20, 21
Underbar.....	51, 58
Two compartment sinks.....	39, 69
Two zone cooler.....	(see Coolers)

## U

Under cabinet (Add-on cabinet base).....	36
Underbar - Choice by Glastender.....	53-74
Underbar compartment sinks.....	39, 69
Underbar ice cream freezer.....	48
Undercounter mount soda gun holder.....	24, 58
Undercounter mount rinser faucet.....	43

## W

Wall Cabinet.....	155
Wall-Mount Hand Sinks.....	149
Wall-Mount Microwave Shelves.....	146
Wall-Mount Refrigerators.....	152
Wall-Mount Shelves.....	146
Wall-Mount Shelves with Pot Rack.....	146
Wall-Mount Sorting Rack.....	146
Wet waste	
Clip-on for glasswasher.....	4, 8
Sinks.....	4, 37, 38, 66
Strainer.....	27, 37, 38, 59, 66, 67, 149, 150
Wine accessories for cooler.....	86
Wine rack shelves.....	75, 77, 79, 81, 83, 89, 91, 93, 95, 101, 103, 105, 107
Wine storage	
Refrigerated drawers.....	(see Coolers)
Rotary shelf.....	75, 77, 95
Work Table Cabinets.....	145
Work Tables.....	148
Wrist Handles.....	37, 66, 67, 149, 150

# Warranty

## **APPLICABLE TO ALL PRODUCTS SOLD WITHIN THE UNITED STATES AND CANADA**

Glastender, Inc. warrants all products to be free of defects in material and workmanship. One-year labor and parts warranty applies to all glasswashers, self-contained refrigeration models, and BDS model bottle disintegration units. In established areas, a start up is included with GT-24 and GT-30 model glasswashers. Warranty is effective for one year from the date of installation or up to 18 months from date of factory shipment, whichever occurs sooner. Glastender, Inc. will replace any part or assembly found defective under normal use and service.

For warranty labor claims beyond 12 months from the date of factory shipment, proof of date of installation or occupancy must be provided. Authorization for labor must be obtained from Glastender within the warranty period and prior to the service being performed.

Labor warranty applies to the 50 states of the USA and Canada only.

Remote refrigeration models exclude the labor warranty for the condensing unit and issues related to the field installation and test of the completed refrigeration system, provided by others.

Field replacement parts not covered under the original warranty include a 90-day part warranty from the date of installation.

### **FOUR YEAR ADDITIONAL COMPRESSOR WARRANTY**

Glastender will warrant to the original user the compressor for all self-contained refrigeration models for an additional four years following the regular one-year warranty period. This plan applies to the compressor only.

A completed warranty claim form **MUST** accompany all returned defective parts or assemblies. Upon request, a defective part or assembly must be returned to Glastender, Inc., Saginaw, Michigan, with all transportation and delivery charges prepaid. Warranty repairs or replacements will be shipped FOB factory in Saginaw, Michigan. Reimbursement for applicable freight charges covers ground service only.

Glastender provides in-warranty repairs during a service company's regular working days and hours. There is no provision for payment of a premium rate during "overtime" hours. When warranty service is requested during other than normal working hours, the end user will be charged the premium portion of the overtime rate.

The warranty covers substantiated travel expenses for up to 2 hours / 100 miles round trip up to a maximum of \$225. Any additional costs due to installations that require extra work, time, or travel to gain access for service are the sole responsibility of the equipment purchaser. Any exceptions to these travel and access limitations must be pre-approved by a factory representative.

The warranty does not cover door gaskets, chemical tubing, pump squeeze tubing, and/or any equipment subjected to accidents, freight damage, alterations from the original design, improper power and/or plumbing hookups, improper chemical use, general misuse, or lack of routine required maintenance as determined by Glastender, Inc. Installation, normal control adjustments, general maintenance, correcting an installation error, or service calls that reveal the unit is functioning normally will not be reimbursed under warranty.

Condenser coils on self-contained refrigeration products must be cleaned regularly. Failure to provide adequate air flow to a refrigeration unit will void the warranty.

Glastender shall not be liable for loss of use, revenue, or profit, or for any other indirect, incidental, special, or consequential damage including, but not limited to, product spoilage or loss.

This warranty is conditioned upon Glastender receiving notice of any defect subject to this warranty within sixty (60) days of its discovery by the end user or dealer. All products are warranted only for the initial place of installation. Removal of a product automatically terminates this warranty.

### **SECOND YEAR EXTENDED PARTS & LABOR WARRANTY**

Glastender's one-year parts and labor warranty on self-contained refrigeration units can be extended to two years with the purchase of a two year parts and labor warranty. Specify part number EWR2 (\$250 net price) when ordering.

**EXPORT WARRANTY** - One year parts only.

### **EXCLUSION OF WARRANTIES**

EXCEPT AS PROVIDED ABOVE, GLASTENDER MAKES NO WARRANTIES, EXPRESS OR IMPLIED, INCLUDING, BUT NOT LIMITED TO, ANY IMPLIED WARRANTY OF MERCHANTABILITY, FITNESS FOR A PARTICULAR PURPOSE OR NON-INFRINGEMENT.

### **LIMITATION OF REMEDIES AND DAMAGES**

If Buyer makes a valid and timely claim as outlined above, Glastender's liability and Buyer's remedies under this agreement will be limited solely to labor charges authorized and/or replacement or credit, at Glastender's option, with respect to Products returned at Buyer's expense within thirty (30) days after warranty repair. GLASTENDER'S LIABILITY WILL IN NO EVENT BE GREATER IN AMOUNT THAN THE PURCHASE PRICE OF THE RETURNED PRODUCTS. GLASTENDER WILL NOT BE LIABLE UNDER ANY CIRCUMSTANCE FOR CONSEQUENTIAL OR INCIDENTAL DAMAGES, INCLUDING, BUT NOT LIMITED TO, LABOR COSTS EXCEPT AS COVERED UNDER OUR WARRANTY, LOST PROFITS OR THE LOSS OF PERISHABLE PRODUCTS RESULTING FROM THE USE OF OR INABILITY TO USE OUR PRODUCTS OR FROM OUR PRODUCTS' INCORPORATION INTO OR BECOMING A COMPONENT OF ANY OTHER PRODUCT. NEITHER PARTY WILL HAVE ANY NEGLIGENCE OR OTHER TORT LIABILITY TO THE OTHER, OR TO ANY THIRD PARTY, ARISING FROM ANY BREACH OF THIS AGREEMENT.

### **GOVERNING LAW - JURISDICTION**

The terms and conditions of an order are to be governed and construed according to the laws of the State of Michigan, without regard to conflict of laws principles. Buyer hereby consents to the jurisdiction and venue of the courts located in Saginaw County, Michigan.

No representative, distributor, dealer, or any other person is authorized to modify this warranty. This warranty replaces all other written or verbal warranties.

NOTE: Glastender, Inc.'s policy of constant quality improvement means that prices, specifications, and policies are subject to change without notice. Questions regarding this warranty should be directed to Glastender's Warranty Administrator.

02-16-23

## **IMPORTANT!!**

### **Attention Service Companies**

Please review the important warranty information on this page. If you believe a service call should be covered by the factory, please call the factory for authorization between 8AM and 5PM EST, Monday through Friday.

A FAMILY COMPANY MANUFACTURING IN THE USA SINCE 1969

*Also available...*

## Kitchen Fabrication



CAB-MBS

Expect more *more flexibility*  
more features



TAB-W



SNK-C

# Glastender®

Glastender manufactures a line of highly configurable kitchen fabrication products providing you with tailor-made solutions.

The flexibility you want. The features you need.

**Glastender. Expect more.**

Glastender, Inc. • 5400 North Michigan • Saginaw, MI • 48604-9780 • 989.752.4275 • 800.748.0423 • Fax 989.752.4444 • [www.glastender.com](http://www.glastender.com)

GLASSWASHERS • FOODSERVICE FABRICATION AND REFRIGERATION • BEER SYSTEMS